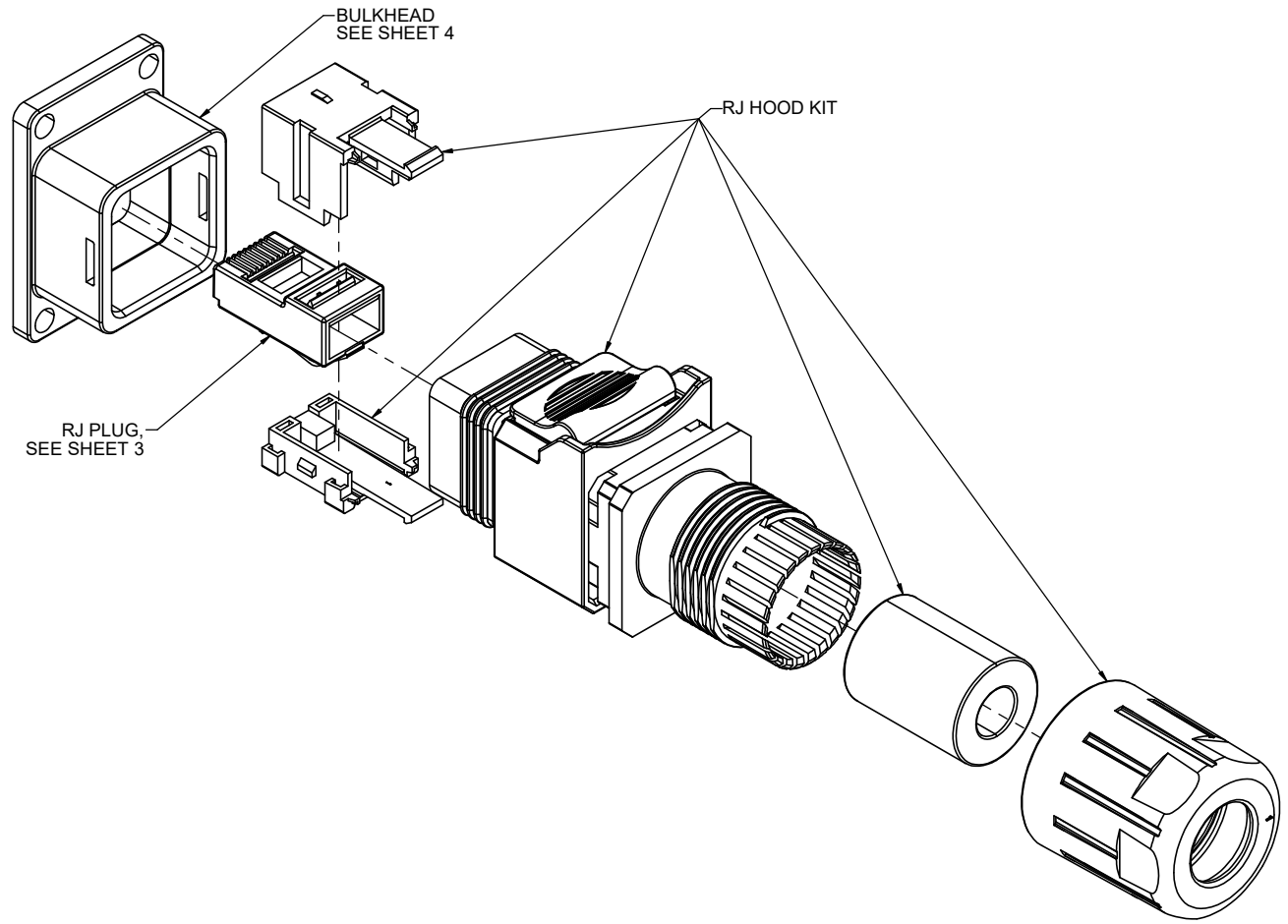


| REVISIONS | | | |
|-----------|-----------------------------|----------|-------|
| REV | DESCRIPTION, ECN, EAR NO. | DATE | APP'D |
| A | PRODUCT DRAWING (EAR 14988) | NOV10/22 | K.L. |

ORDERING CODE: NDH - R 6 A X

SERIES, INDUSTRIAL SQUARE-PUSH/PULL DESIGN
 RJ45, TAB DOWN
 KIT CONFIGURATION:
 6 = BULKHEAD, HOOD + PLUG KIT
 PLUG STYLE
 A = 8 CONTACTS, CAT 5e, UN-SHIELDED
 PLATING FOR RJ PLUG MATING AREA
 4 = 1.27µm (50µ") GOLD
 6 = 0.38µm (15µ") GOLD



NOTES:

- MATERIAL: RoHS COMPLIANT PER EU DIRECTIVE 2011/65/EU AND AMENDMENTS.
 - HOOD COVERS, BODY, SLIDE, BULKHEAD & END CAP: PBT GLASS REINFORCED, COLOUR: BLACK
 - HOOD LOCK: PBT GLASS REINFORCED, COLOUR: RED
 - GASKETS & GROMMET: SILICONE RUBBER, COLOUR: BLACK
 - PLUG HOUSING: POLYCARBONATE UL94V-2, COLOUR: CLEAR
 - PLUG CONTACTS: COPPER ALLOY PLATED WITH GOLD (SEE ORDERING CODE) OVER 1.27 µm (50µ") MINIMUM NICKEL ON THE MATING AREA
- CURRENT RATING: 1.5 AMPERES PER CONTACT
- OPERATING TEMPERATURE -40 °C TO +80 °C
- DIELECTRIC WITHSTANDING VOLTAGE: 1000 V AC RMS
- INSULATION RESISTANCE: 500 MEGOHMS MINIMUM
- NDH-R6AX BULKHEAD, HOOD & PLUG KIT IS PART OF AN IP67 SEALED SOLUTION WITH PUSH/PULL MATING FOR MODULAR JACK ETHERNET APPLICATIONS. THE IP67 RATING APPLIES IN THE MATED CONDITION FOR BOTH THE ENCLOSURE AND THE MATING INTERFACE.
- FOR THE PCB MOUNTED MODULAR JACK, REFER TO AMPHENOL DRAWING P-RJULE-4X183-01. THE JACK IS AN 8 CONTACT, SHIELDED, TAB DOWN, ULTRA LOW PROFILE RIGHT ANGLE DESIGN CONNECTOR.
- TO ORDER PARTS SEPARATELY, REFER TO AMPHENOL DRAWINGS P-NDH-N200 FOR THE BULKHEAD, P-NDH-R3AX FOR THE HOOD AND PLUG KIT OR P-NDH-R100 FOR THE HOOD KIT.
- CONSULT WITH AMPHENOL IF CABLE ASSEMBLY IS REQUIRED

| | | | |
|----------------------------|------------------------|-------------|----------|
| UNLESS SPECIFIED OTHERWISE | DRAWN | K. MORRISON | OCT13/22 |
| PRIMARY UNITS MILLIMETRES | CHECKED | K. LAMBIE | NOV10/22 |
| SECONDARY INCHES | M.E. APP'D | | |
| REFERENCE IN PARENTHESES | Q.A. APP'D | | |
| GENERAL TOLERANCES | DWG APPR. | K. LAMBIE | NOV10/22 |
| 1 DECIMAL PLACE | ENG. REL. NO. | EAR 14988 | |
| 2 DECIMAL PLACES ±0.30 | REF. | | |
| 3 DECIMAL PLACES | THIRD ANGLE PROJECTION | | |
| ANGULAR DEGREES | DO NOT SCALE DRAWING | | |

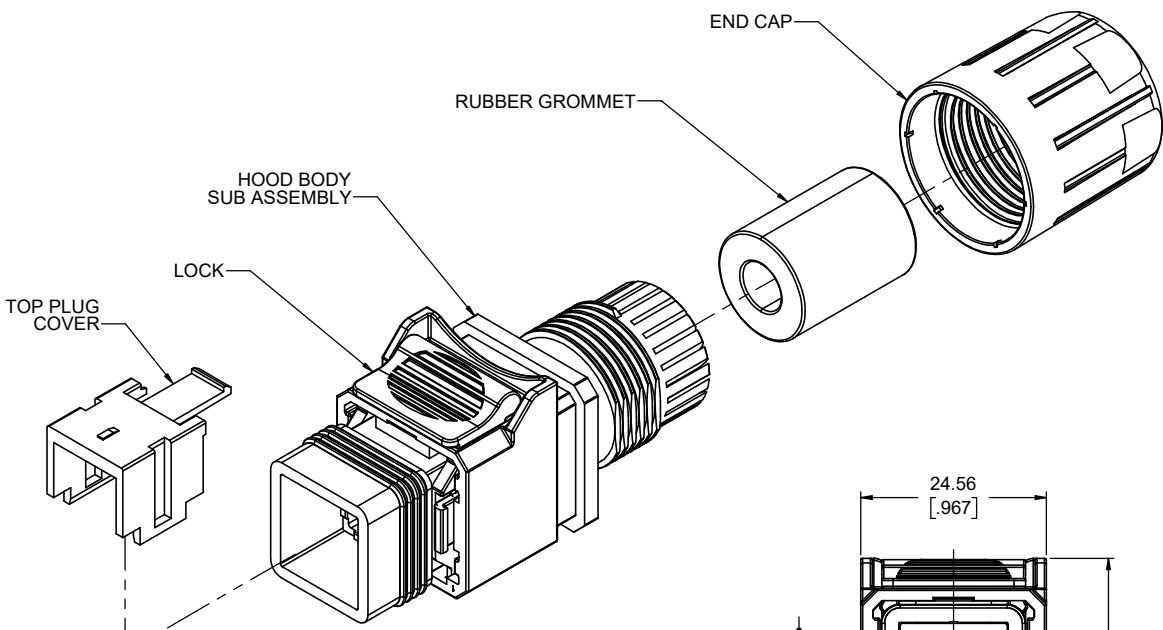
Amphenol Canada Corp.
 Commercial Products

NDH SERIES, RJ BULKHEAD, HOOD KIT & PLUG KIT, IP67, CAT 5e, PLUG TAB DOWN, RoHS COMPLIANT

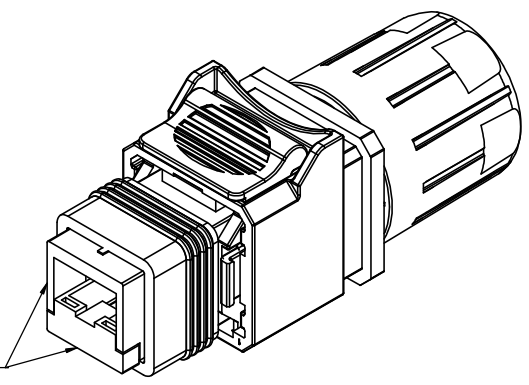
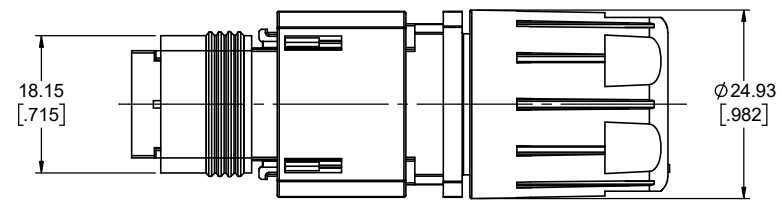
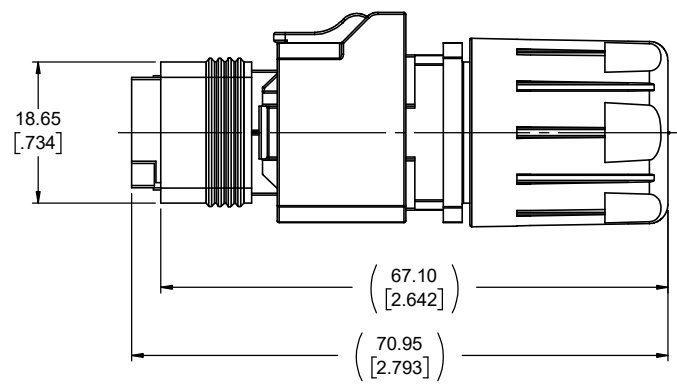
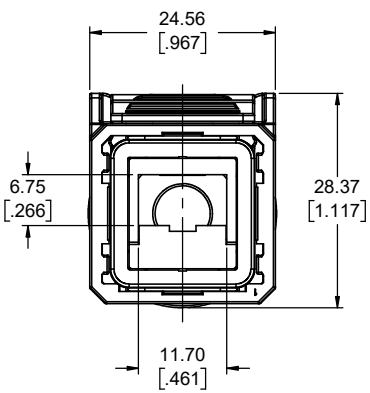
DWG. NO. **P-NDH-R6AX** REV **A**

CODE ID NO. 03554 DWG SIZE: X SCALE: 2:1 SHEET 1 OF 6

| REVISIONS | | | |
|-----------|-----------------------------|----------|-------|
| REV | DESCRIPTION, ECN, EAR NO. | DATE | APP'D |
| A | PRODUCT DRAWING (EAR 14988) | NOV10/22 | K.L. |



RJ HOOD KIT



THE TOP AND BOTTOM PLUG COVERS HAVE A POKA-YOKE FEATURE. THEY CAN ONLY BE ASSEMBLED ONTO THE PLUG AND INTO THE HOOD BODY IN ONE WAY.



| | | | |
|----------------------------|------------------------|-------------|----------|
| UNLESS SPECIFIED OTHERWISE | DRAWN | K. MORRISON | OCT13/22 |
| PRIMARY UNITS MILLIMETRES | CHECKED | K. LAMBIE | NOV10/22 |
| SECONDARY UNITS INCHES | M.E. APP'D | | |
| REFERENCE IN PARENTHESES | Q.A. APP'D | | |
| GENERAL TOLERANCES | DWG APPR. | K. LAMBIE | NOV10/22 |
| 1 DECIMAL PLACE | ENG. REL. NO. | EAR 14988 | |
| 2 DECIMAL PLACES ±0.30 | REF. | | |
| 3 DECIMAL PLACES | THIRD ANGLE PROJECTION | | |
| ANGULAR DEGREES | DO NOT SCALE DRAWING | | |

Amphenol Canada Corp.
Commercial Products

NDH SERIES, RJ BULKHEAD, HOOD KIT & PLUG KIT, IP67, CAT 5e, PLUG TAB DOWN, RoHS COMPLIANT

DWG. NO. **P-NDH-R6AX** REV **A**

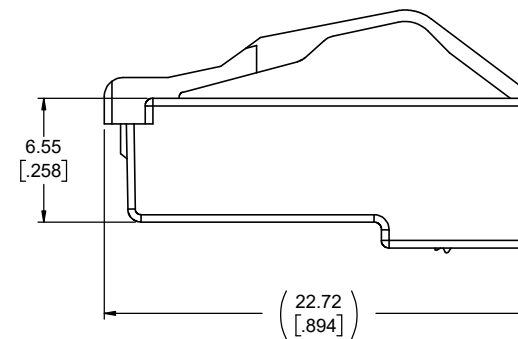
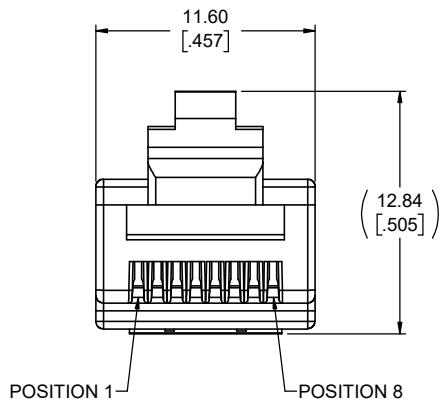
CODE ID NO. 03554 | DWG SIZE: X | SCALE: 2:1 | SHEET 2 OF 6

CONNECTOR PIN ASSIGNMENT FOR ETHERNET

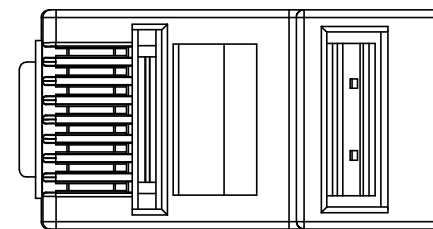
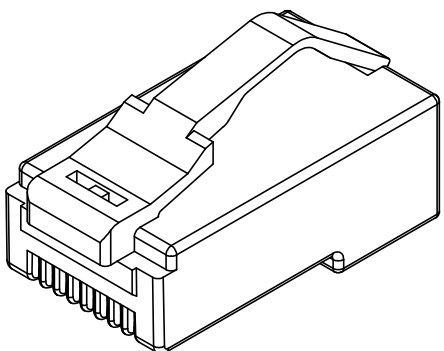
| RJ45 PIN NUMBER | T568A | | T568B | | PIN ASSIGNMENT 10 OR 100 MBit/s ETHERNET | PIN ASSIGNMENT ETHERNET |
|-----------------|-----------|--------------|-----------|--------------|--|-------------------------|
| | WIRE PAIR | WIRE COLOUR | WIRE PAIR | WIRE COLOUR | | |
| 1 | 3 | WHITE/GREEN | 2 | WHITE/ORANGE | TX+ | DA+ |
| 2 | | GREEN | | ORANGE | TX- | DA- |
| 3 | 2 | WHITE/ORANGE | 3 | WHITE/GREEN | RX+ | DB+ |
| 4 | 1 | BLUE | 1 | BLUE | NOT USED | DC+ |
| 5 | | WHITE/BLUE | | WHITE/BLUE | NOT USED | DC- |
| 6 | 2 | ORANGE | 3 | GREEN | RX- | DB- |
| 7 | 4 | WHITE/BROWN | 4 | WHITE/BROWN | NOT USED | DD+ |
| 8 | | BROWN | | BROWN | NOT USED | DD- |

| REVISIONS | | | |
|-----------|-----------------------------|----------|-------|
| REV | DESCRIPTION, ECN, EAR NO. | DATE | APP'D |
| A | PRODUCT DRAWING (EAR 14988) | NOV10/22 | K.L. |

| RECOMMENDED CABLE SPECIFICATIONS | | |
|----------------------------------|----------|--------------------------------|
| ITEMS | | DESCRIPTION |
| CONDUCTORS | SIZE | 24 - 26 AWG |
| | STRANDS | 7 STRANDS PER WIRE |
| | MATERIAL | ANNEALED COPPER WIRE |
| INSULATION OUTSIDE DIAMETER | | Ø0.89 - 1.00mm (Ø.035 - .039") |
| JACKET OUTSIDE DIAMETER | | Ø5.3mm - 6.8mm (Ø.208 - .268") |



RJ PLUG

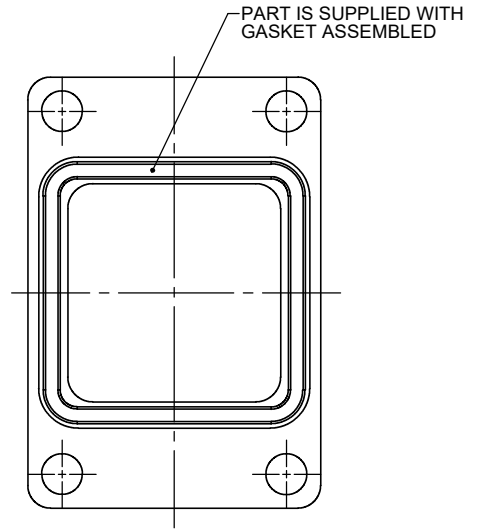
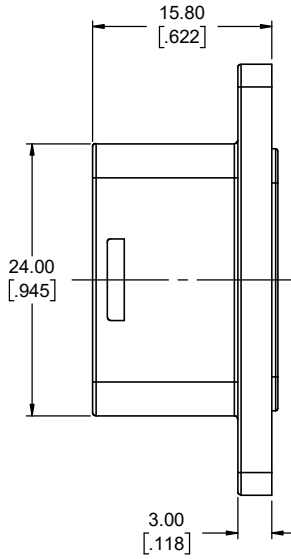
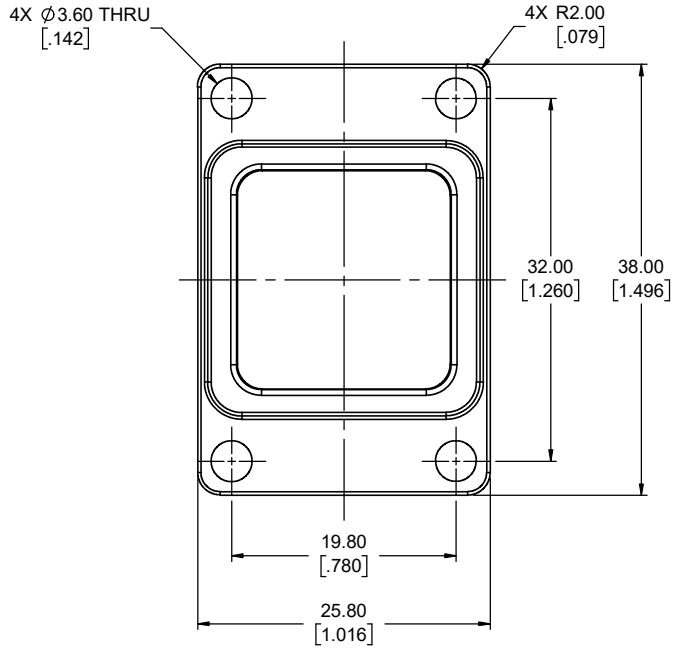
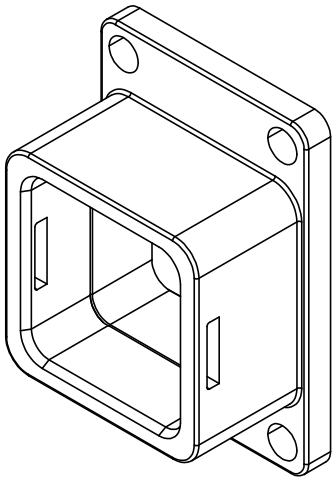


| | | | | |
|----------------------------|------------------------|-------------|----------|--|
| UNLESS SPECIFIED OTHERWISE | DRAWN | K. MORRISON | OCT13/22 | Amphenol Canada Corp. Commercial Products NDH SERIES, RJ BULKHEAD, HOOD KIT & PLUG KIT, IP67, CAT 5e, PLUG TAB DOWN, RoHS COMPLIANT |
| PRIMARY UNITS MILLIMETRES | CHECKED | K. LAMBIE | NOV10/22 | |
| SECONDARY INCHES | M.E. APP'D | | | |
| REFERENCE IN PARENTHESES | Q.A. APP'D | | | |
| GENERAL TOLERANCES | DWG APPR. | K. LAMBIE | NOV10/22 | DWG. NO. |
| 1 DECIMAL PLACE | ENG. REL. NO. | EAR 14988 | | REV |
| 2 DECIMAL PLACES ±0.30 | REF. | | | A |
| 3 DECIMAL PLACES | THIRD ANGLE PROJECTION | | | |
| ANGULAR DEGREES | DO NOT SCALE DRAWING | | | |
| | | | | CODE ID NO. 03554 DWG SIZE: X SCALE: 5:1 SHEET 3 OF 6 |

THIS DOCUMENT CONTAINS PROPRIETARY INFORMATION AND SUCH INFORMATION MAY NOT BE DISCLOSED TO OTHERS FOR ANY PURPOSE OR USED FOR MANUFACTURING PURPOSES WITHOUT WRITTEN PERMISSION FROM AMPHENOL CANADA CORP.

| REVISIONS | | | |
|-----------|-----------------------------|----------|-------|
| REV | DESCRIPTION, ECN, EAR NO. | DATE | APP'D |
| A | PRODUCT DRAWING (EAR 14988) | NOV10/22 | K.L. |

BULKHEAD



| | | | |
|----------------------------|------------------------|-------------|----------|
| UNLESS SPECIFIED OTHERWISE | DRAWN | K. MORRISON | OCT13/22 |
| PRIMARY UNITS MILLIMETRES | CHECKED | K. LAMBIE | NOV10/22 |
| SECONDARY INCHES | M.E. APP'D | | |
| REFERENCE IN PARENTHESES | Q.A. APP'D | | |
| GENERAL TOLERANCES | DWG APPR. | K. LAMBIE | NOV10/22 |
| 1 DECIMAL PLACE | ENG. REL. NO. | EAR 14988 | |
| 2 DECIMAL PLACES ±0.30 | REF. | | |
| 3 DECIMAL PLACES | THIRD ANGLE PROJECTION | | |
| ANGULAR DEGREES | DO NOT SCALE DRAWING | | |

Amphenol Canada Corp.
Commercial Products

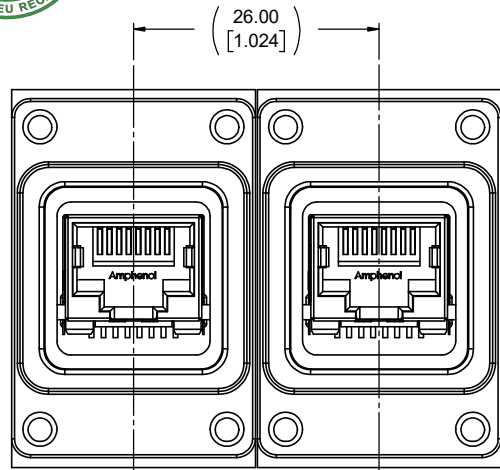
NDH SERIES, RJ BULKHEAD, HOOD KIT & PLUG KIT, IP67, CAT 5e, PLUG TAB DOWN, RoHS COMPLIANT

DWG. NO. **P-NDH-R6AX** REV **A**

CODE ID NO. 03554 | DWG SIZE: X | SCALE: 3:1 | SHEET 4 OF 6



BULKHEAD PORT SPACING

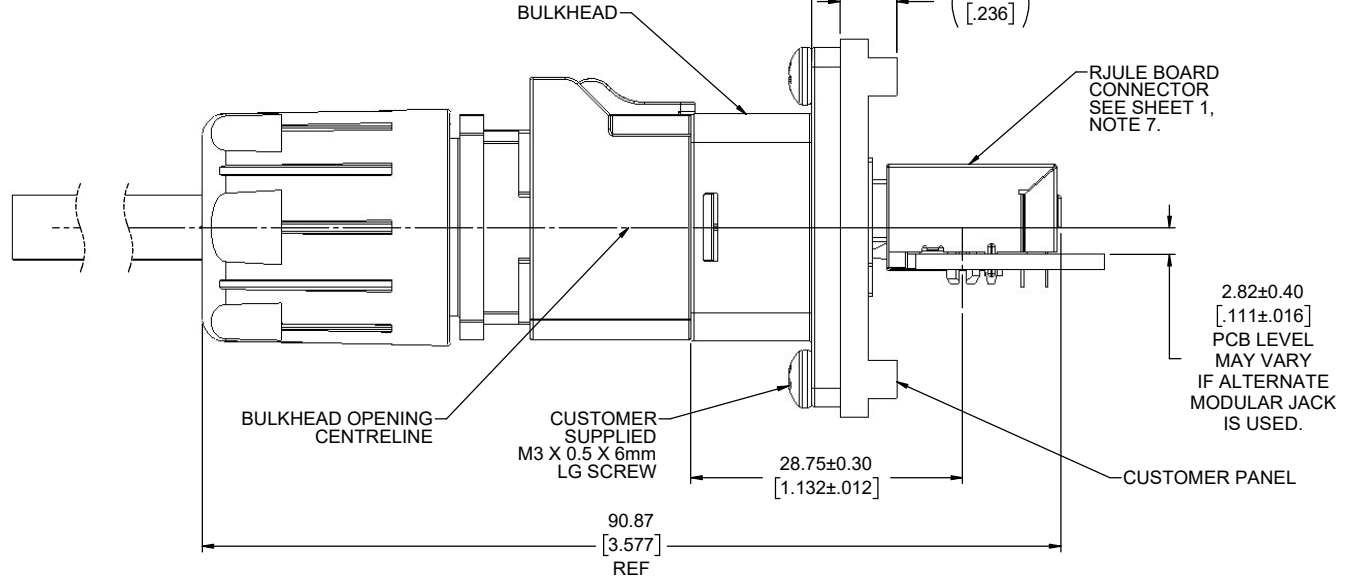


±0.6mm CENTERING OF THE BOARD CONNECTOR WITH BULKHEAD CAVITY

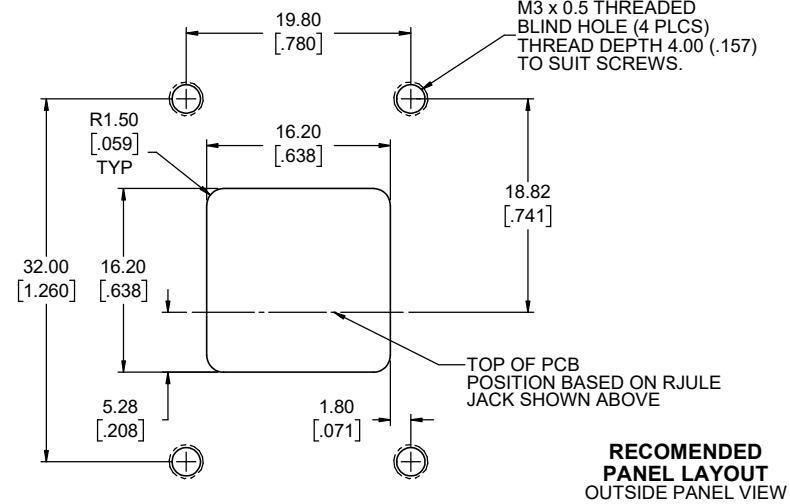
APPLICATION NOTE:

IF A CAST OR MOULDED PANEL IS NOT DESIRED TO ACHIEVE A BLIND HOLE SUITABLE FOR THE 6mm THREAD LENGTH, BLIND SEALED PEM NUTS OR MOUNTING SCREWS WITH A BUILT IN O-RING UNDER THE SEALING HEAD CAN ALSO BE USED TO ACHIEVE A PROPER MOUNTING HOLE SEAL.

9.00
[.354]
SUITABLE FOR
6mm THREAD
LENGTH
SEE NOTE



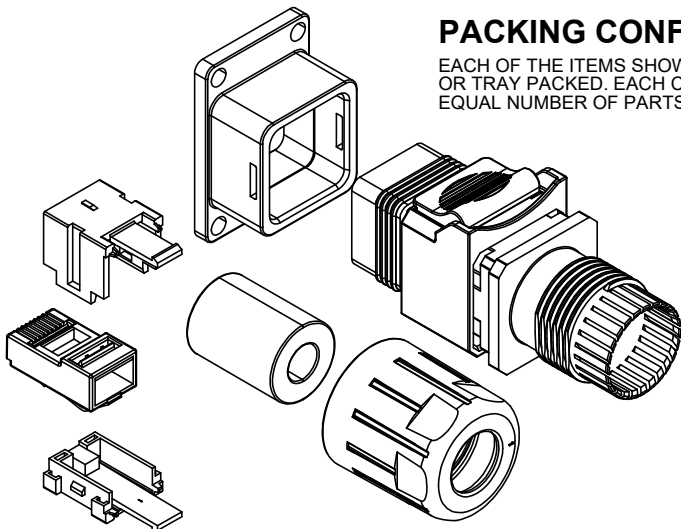
APPLICATION VIEWS



**RECOMMENDED
PANEL LAYOUT
OUTSIDE PANEL VIEW**

PACKING CONFIGURATION: NDH-R6AX

EACH OF THE ITEMS SHOWN ARE SUPPLIED BULK OR TRAY PACKED. EACH CARTON TO PROVIDE AN EQUAL NUMBER OF PARTS.



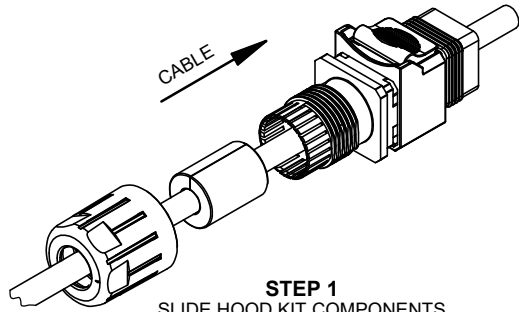
THIS DOCUMENT CONTAINS PROPRIETARY INFORMATION AND SUCH INFORMATION MAY NOT BE DISCLOSED TO OTHERS FOR ANY PURPOSE OR USED FOR MANUFACTURING PURPOSES WITHOUT WRITTEN PERMISSION FROM AMPHENOL CANADA CORP.

| REVISIONS | | | |
|-----------|-----------------------------|----------|-------|
| REV | DESCRIPTION, ECN, EAR NO. | DATE | APP'D |
| A | PRODUCT DRAWING (EAR 14988) | NOV10/22 | K.L. |

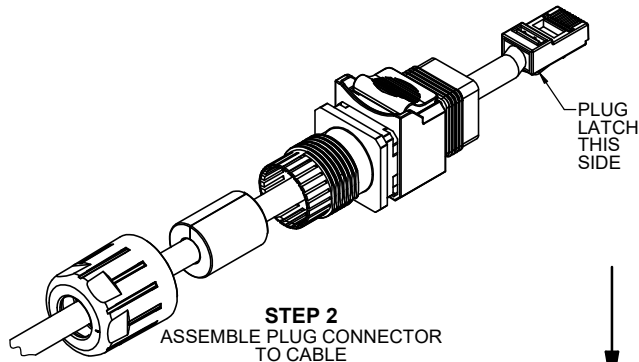
| | | | |
|----------------------------|------------------------|-------------|----------|
| UNLESS SPECIFIED OTHERWISE | DRAWN | K. MORRISON | OCT13/22 |
| PRIMARY UNITS MILLIMETRES | CHECKED | K. LAMBIE | NOV10/22 |
| SECONDARY INCHES | M.E. APP'D | | |
| REFERENCE IN PARENTHESES | Q.A. APP'D | | |
| GENERAL TOLERANCES | DWG APPR. | K. LAMBIE | NOV10/22 |
| 1 DECIMAL PLACE | ENG. REL. NO. | EAR 14988 | |
| 2 DECIMAL PLACES | REF. | | |
| 3 DECIMAL PLACES | THIRD ANGLE PROJECTION | | |
| ANGULAR DEGREES | DO NOT SCALE DRAWING | | |

| | | | |
|---|-------------|----------|--------------|
| Amphenol Canada Corp. Commercial Products | | | |
| NDH SERIES, RJ BULKHEAD, HOOD KIT & PLUG KIT, IP67, CAT 5e, PLUG TAB DOWN, RoHS COMPLIANT | | | |
| DWG. NO. | P-NDH-R6AX | | REV A |
| CODE ID NO. 03554 | DWG SIZE: X | SCALE: X | SHEET 5 OF 6 |

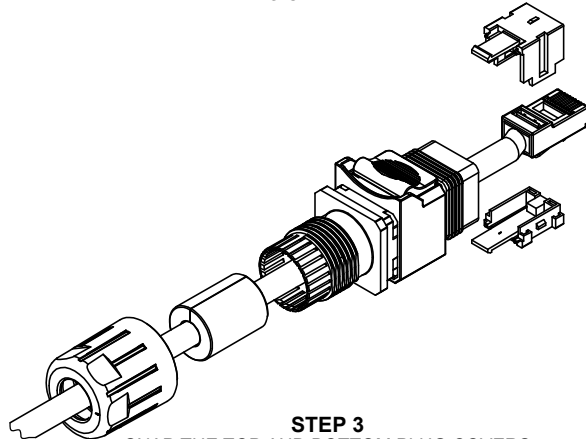
FIELD ASSEMBLY PROCEDURE



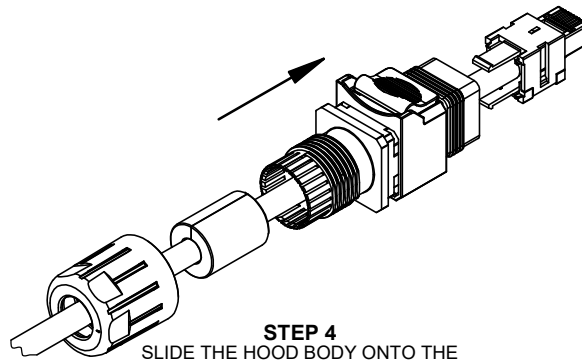
STEP 1
SLIDE HOOD KIT COMPONENTS (EXCLUDING TOP AND BOTTOM PLUG COVERS) ONTO CABLE PRIOR TO PLUG INSTALLATION



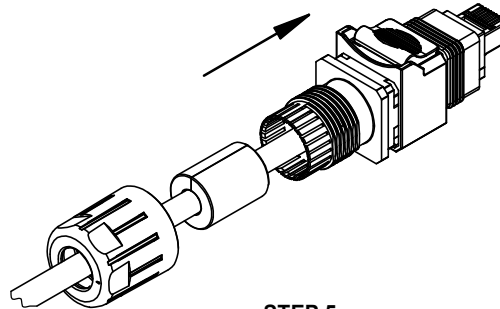
STEP 2
ASSEMBLE PLUG CONNECTOR TO CABLE



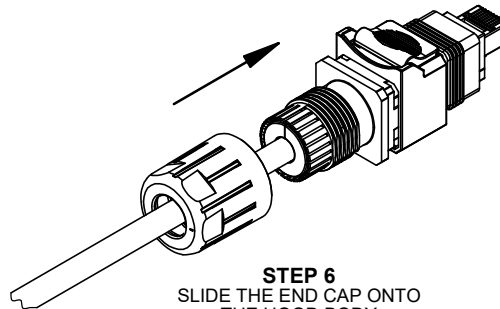
STEP 3
SNAP THE TOP AND BOTTOM PLUG COVERS ONTO THE PLUG CONNECTOR



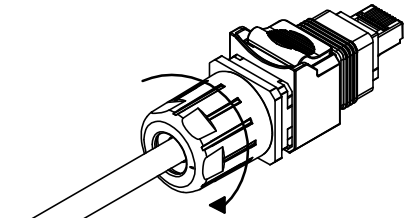
STEP 4
SLIDE THE HOOD BODY ONTO THE PLUG COVER ASSEMBLY UNTIL THE TOP AND BOTTOM LATCHES SNAP INTO PLACE. CONFIRM THAT THE PLUG LATCH IS AT THE BOTTOM AND THE HOOD LATCH IS AT THE TOP.



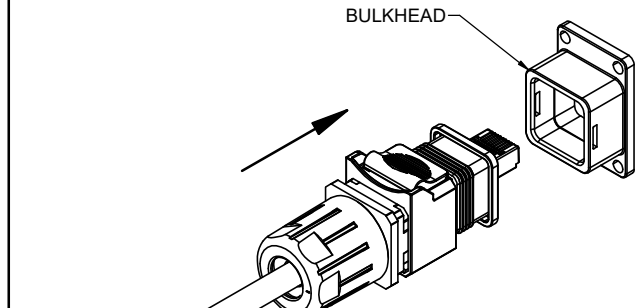
STEP 5
SLIDE THE RUBBER GROMMET ALONG THE CABLE INTO THE HOOD BODY UNTIL INSTALLED TO FULL DEPTH



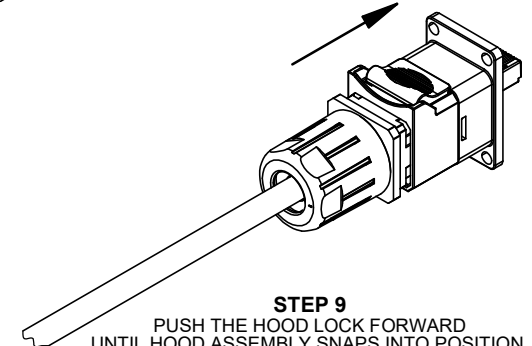
STEP 6
SLIDE THE END CAP ONTO THE HOOD BODY



STEP 7
SCREW ENDCAP UNTIL HAND TIGHT



STEP 8
INSERT RJ HOOD ASSEMBLY INTO BULKHEAD



STEP 9
PUSH THE HOOD LOCK FORWARD UNTIL HOOD ASSEMBLY SNAPS INTO POSITION. TO UN-MATE, PULL THE HOOD LOCK BACKWARD BEFORE PULLING ON THE HOOD / PLUG

| REVISIONS | | | |
|-----------|-----------------------------|----------|-------|
| REV | DESCRIPTION, ECN, EAR NO. | DATE | APP'D |
| A | PRODUCT DRAWING (EAR 14988) | NOV10/22 | K.L. |

THIS DOCUMENT CONTAINS PROPRIETARY INFORMATION AND SUCH INFORMATION MAY NOT BE DISCLOSED TO OTHERS FOR ANY PURPOSE OR USED FOR MANUFACTURING PURPOSES WITHOUT WRITTEN PERMISSION FROM AMPHENOL CANADA CORP.

| | | | |
|----------------------------|------------------------|-------------|----------|
| UNLESS SPECIFIED OTHERWISE | DRAWN | K. MORRISON | OCT13/22 |
| PRIMARY UNITS MILLIMETRES | CHECKED | K. LAMBIE | NOV10/22 |
| SECONDARY INCHES | M.E. APP'D | | |
| REFERENCE IN PARENTHESES | Q.A. APP'D | | |
| GENERAL TOLERANCES | DWG APPR. | K. LAMBIE | NOV10/22 |
| 1 DECIMAL PLACE | ENG. REL. NO. | EAR 14988 | |
| 2 DECIMAL PLACES ±0.30 | REF. | | |
| 3 DECIMAL PLACES | THIRD ANGLE PROJECTION | | |
| ANGULAR DEGREES | DO NOT SCALE DRAWING | | |

| | | | |
|---|-------------|------------|--------------|
| Amphenol Canada Corp. Commercial Products | | | |
| NDH SERIES, RJ BULKHEAD, HOOD KIT & PLUG KIT, IP67, CAT 5e, PLUG TAB DOWN, RoHS COMPLIANT | | | |
| DWG. NO. | P-NDH-R6AX | | REV A |
| CODE ID NO. 03554 | DWG SIZE: X | SCALE: 2:1 | SHEET 6 OF 6 |