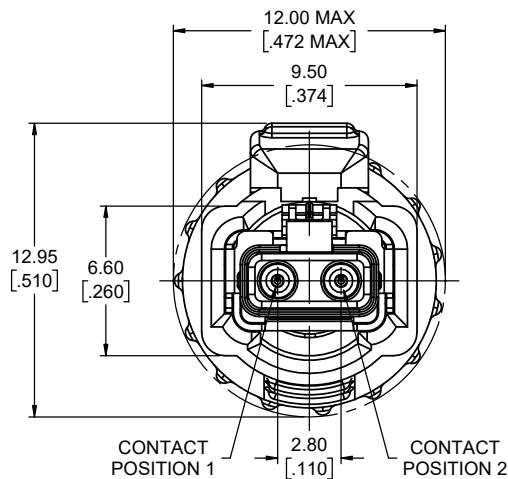
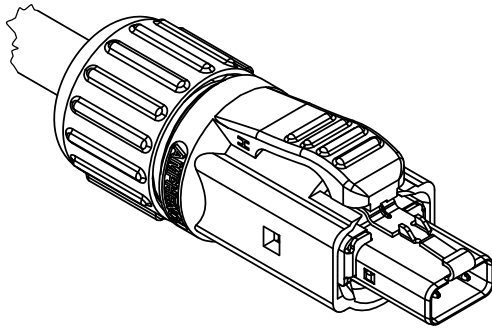


**ASSEMBLED PLUG VIEWS**  
SEE SHEETS 2 & 3 FOR COMPONENTS

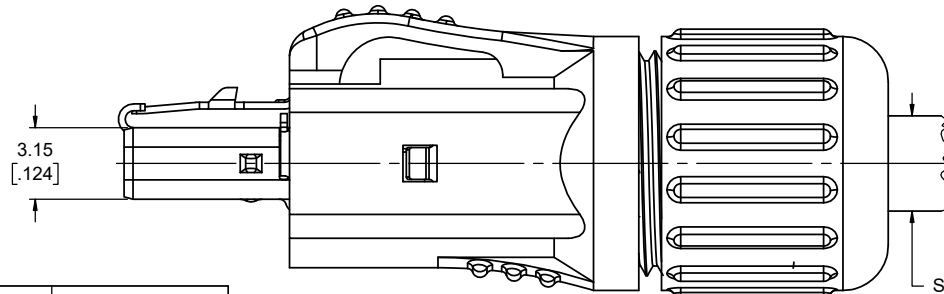
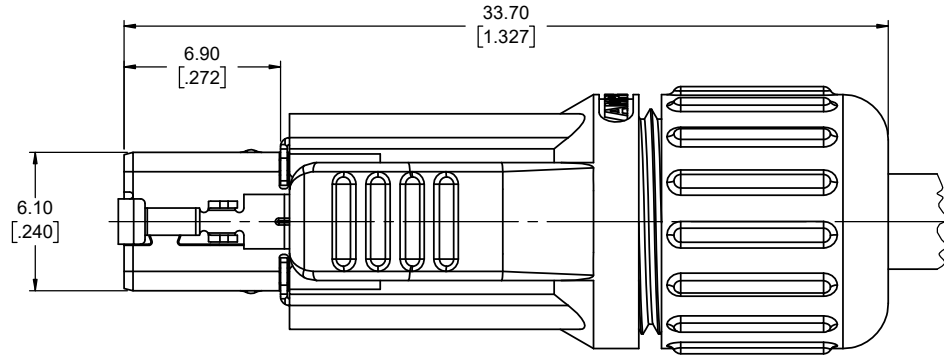


CONTACT POSITION	SIGNAL PER IEC 63171-6
1	BI_DA+
2	BI_DA-

**NOTES:**

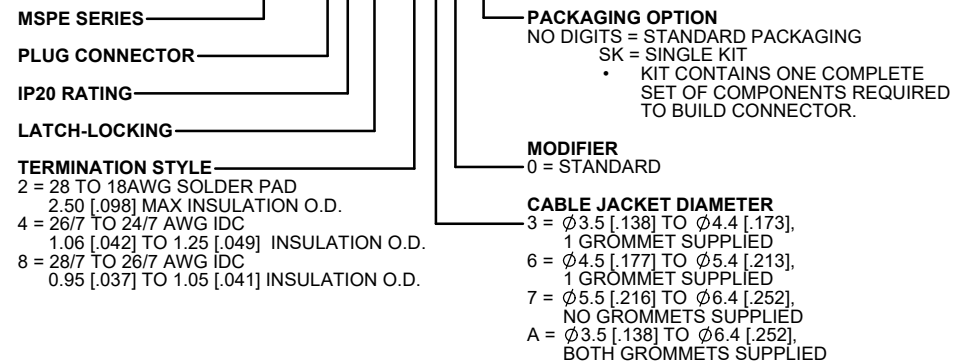
- MATERIALS:** ALL MATERIALS ARE RoHS COMPLIANT PER EU DIRECTIVE 2011/65/EU AND AMENDMENTS.
  - EMI SHIELD: STAINLESS STEEL, NICKEL PLATED
  - CONTACTS: COPPER ALLOY PLATED WITH NICKEL OVERALL, 0.76µm (30µ") GOLD ON THE MATING AREA & GOLD FLASH ON THE TAILS
  - HOUSING, CAP, & INSERTS: ENGINEERING THERMOPLASTIC, UL94V-0 FLAMMABILITY RATING, COLOUR: BLACK
  - IDC WIRE GUIDE: POLYCARBONATE, UL94V-0 FLAMMABILITY RATING
  - GROMMET: SILICONE RUBBER, COLOUR: BLACK, UL94V-0 FLAMMABILITY RATING
- DESIGNED IN ACCORDANCE WITH IEC STANDARD 63171-6.
  - DATA TRANSMISSION WITH FREQUENCIES UP TO 600 MHz
  - COMPATIBLE WITH 10BASE-T1, 100BASE-T1, & 1000BASE-T1
- ELECTRICAL CHARACTERISTICS:
  - CURRENT RATING: 4A UP TO 26 AWG WIRE, 3A UP TO 28 AWG WIRE
  - VOLTAGE RATING: 60VDC MAX
  - CONTACT RESISTANCE: 20mΩ MAX
- OPERATING TEMPERATURE: -40°C TO +85°C

OVERALL LENGTH MAY VARY  
DEPENDING ON DIAMETER OF  
CABLE USED.



SEE ORDERING CODE FOR  
ACCOMMODATED CABLE  
JACKET DIAMETER RANGES

**ORDERING CODE: MSPE-P2L0-XX0XX**



REVISIONS			
REV	DESCRIPTION, ECN, EAR NO.	DATE	APP'D
D	PRODUCT DRAWING (EAR 14781)	JUN01/20	M.P.
E	PRODUCT DRAWING (EAR 14903)	JUL13/21	M.P.



UNLESS SPECIFIED OTHERWISE	DRAWN	M. PAHULJE	MAY31/19
PRIMARY UNITS MILLIMETRES	CHECKED		
SECONDARY UNITS INCHES	M.E. APP'D		
REFERENCE IN PARENTHESES	Q.A. APP'D		
GENERAL TOLERANCES	DWG APPR.		
1 DECIMAL PLACE	ENG. REL. NO.	EAR 14781	
2 DECIMAL PLACES ±0.15	REF.		
3 DECIMAL PLACES	THIRD ANGLE PROJECTION		
ANGULAR DEGREES	DO NOT SCALE DRAWING		

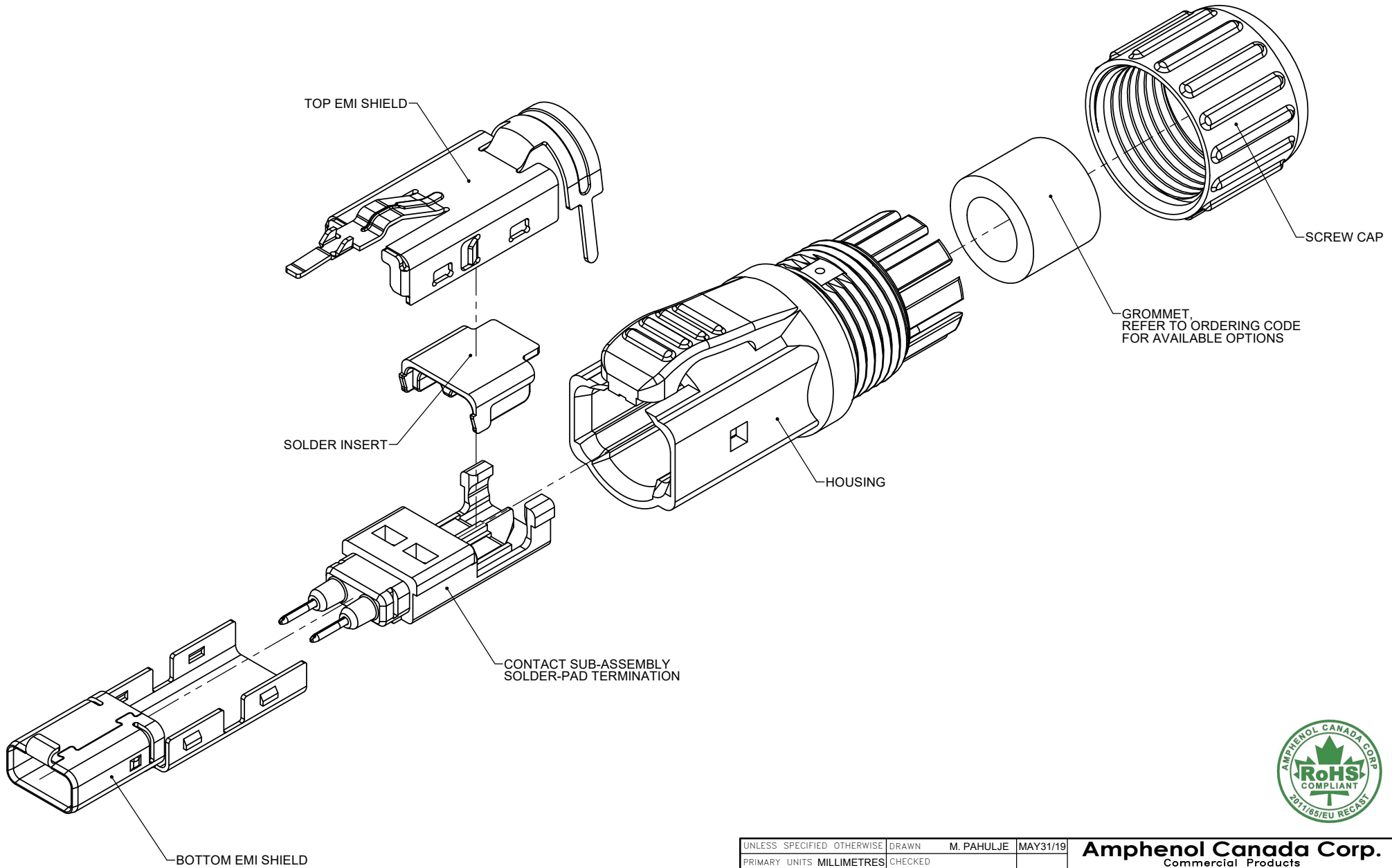
**Amphenol Canada Corp.**  
Commercial Products

MSPE SERIES, IP20 PLUG,  
LATCH-LOCKING, TERMINATION OPTIONS,  
RoHS COMPLIANT

DWG. NO.	REV
P-MSPE-P2L0-XX0XX	E
CODE ID NO. 03554	DWG SIZE: X
SCALE: 6:1	SHEET 1 OF 3

**PLUG COMPONENTS AS SUPPLIED**  
 MSPE-P2L0-2X0XX,  
 SOLDER-PAD TERMINATION

REVISIONS			
REV	DESCRIPTION, ECN, EAR NO.	DATE	APP'D
D	PRODUCT DRAWING (EAR 14781)	JUN01/20	M.P.
E	PRODUCT DRAWING (EAR 14903)	JUL13/21	M.P.



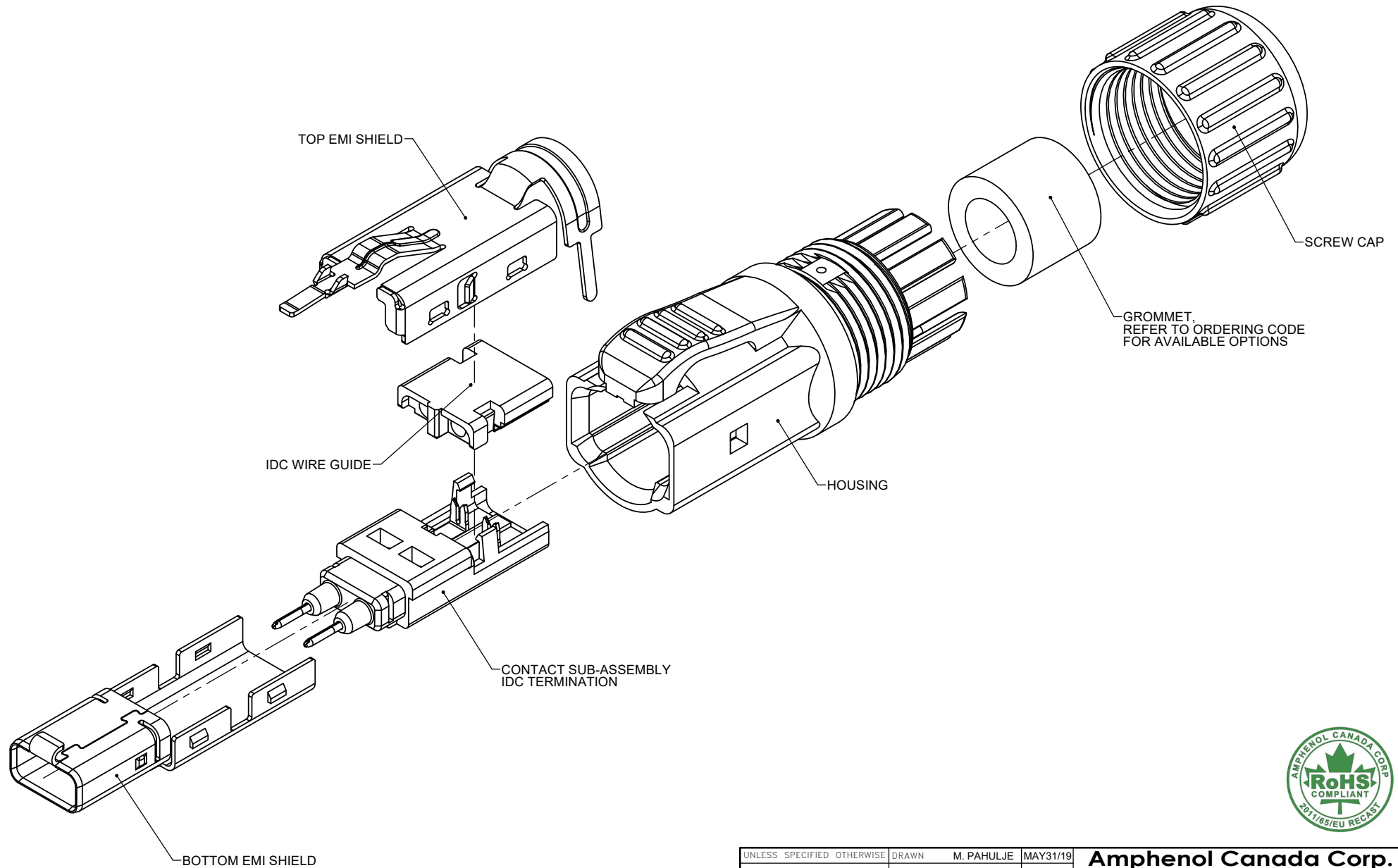
THIS DOCUMENT CONTAINS PROPRIETARY INFORMATION AND SUCH INFORMATION MAY NOT BE DISCLOSED TO OTHERS FOR ANY PURPOSE OR USED FOR MANUFACTURING PURPOSES WITHOUT WRITTEN PERMISSION FROM AMPHENOL CANADA CORP.

UNLESS SPECIFIED OTHERWISE	DRAWN	M. PAHULJE	MAY31/19
PRIMARY UNITS MILLIMETRES	CHECKED		
SECONDARY INCHES	M.E. APP'D		
REFERENCE IN PARENTHESES	Q.A. APP'D		
GENERAL TOLERANCES	DWG APPR.		
1 DECIMAL PLACE	ENG. REL. NO.	EAR 14781	
2 DECIMAL PLACES ±0.15	REF.		
3 DECIMAL PLACES	THIRD ANGLE PROJECTION		
ANGULAR DEGREES	DO NOT SCALE DRAWING		

<b>Amphenol Canada Corp.</b> Commercial Products	
MSPE SERIES, IP20 PLUG, LATCH-LOCKING, TERMINATION OPTIONS, RoHS COMPLIANT	
DWG. NO.	REV
P-MSPE-P2L0-XX0XX	E
CODE ID NO. 03554	DWG SIZE: X
SCALE: 6:1	SHEET 2 OF 3

**PLUG COMPONENTS AS SUPPLIED**  
 MSPE-P2L0-4X0XX & MSPE-P2L0-8X0XX,  
 IDC TERMINATION

REVISIONS			
REV	DESCRIPTION, ECN, EAR NO.	DATE	APP'D
D	PRODUCT DRAWING (EAR 14781)	JUN01/20	M.P.
E	PRODUCT DRAWING (EAR 14903)	JUL13/21	M.P.



THIS DOCUMENT CONTAINS PROPRIETARY INFORMATION AND SUCH INFORMATION MAY NOT BE DISCLOSED TO OTHERS FOR ANY PURPOSE OR USED FOR MANUFACTURING PURPOSES WITHOUT WRITTEN PERMISSION FROM AMPHENOL CANADA CORP.

UNLESS SPECIFIED OTHERWISE	DRAWN	M. PAHULJE	MAY31/19
PRIMARY UNITS MILLIMETRES	CHECKED		
SECONDARY INCHES	M.E. APP'D		
REFERENCE IN PARENTHESES	Q.A. APP'D		
GENERAL TOLERANCES	DWG APPR.		
1 DECIMAL PLACE	ENG. REL. NO.	EAR 14781	
2 DECIMAL PLACES ±0.15	REF.		
3 DECIMAL PLACES	THIRD ANGLE PROJECTION		
ANGULAR DEGREES	DO NOT SCALE DRAWING		

<b>Amphenol Canada Corp.</b> Commercial Products	
MSPE SERIES, IP20 PLUG, LATCH-LOCKING, TERMINATION OPTIONS, RoHS COMPLIANT	
DWG. NO.	REV
P-MSPE-P2L0-XX0XX	E
CODE ID NO. 03554	DWG SIZE: X
SCALE: 6:1	SHEET 3 OF 3