

Data sheet Industry IP67 V4 bulkhead

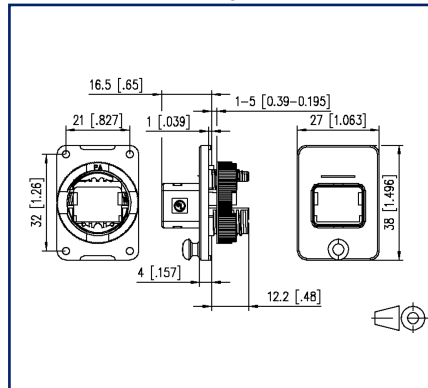
Page 1/7

P/N
1401043302KE
EAN 4250184114215
2023/02/15
Version: O

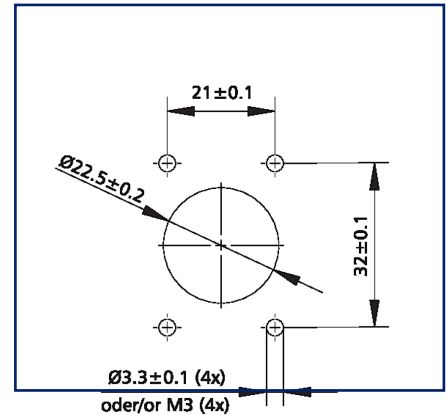
Illustrations



Dimensional drawing



Cut-out



See enlarged drawings at the end of document

Product specification

- flange with push-pull cover according to standard ISO/IEC 24702, IEC 61076-3-106 Var. 4 and according to standard EN 50173-1 as well as EN 50173-3
- easy to mount due to round wall recesses made with inserts for commercially available punch pliers
- mounting type, central screwing
- alternative mounting with 4 screws (M3), not included in scope of delivery
- mounting on front and back side
- industry-compatible housing with improved durability
- flammability class as per UL 94V-0
- improved resistance to chemical substances
- grounding possible on RJ45 insert using 2.8 mm contact pins
- one version for all flanges
- matching inserts: E-DAT Industry RJ45 field jack insert (T568A, T568B or Profinet), E-DAT Industry RJ45 coupler insert, E-DAT Industry USB coupler insert, OpDAT Industry SC-RJ/2SC coupler insert or OpDAT Industry LC-D coupler insert



P | Cabling

Data sheet

Page 2/7

Industry IP67 V4 bulkhead

P/N

1401043302KE

EAN 4250184114215

2023/02/15

Version: O

Technical Data

General Data

Fields of application	structured building cabling harsh environment
Mechanical measurement according to MICE	M1
Ingress measurement according to MICE	I1
Climatic measurement according to MICE	C1
Electromagnetic measurement according to MICE	E3
Design	flange housings
Mounting style	front or back side
Color	black
Dimensions	
Dimension (W x H)	27 mm x 38 mm
Dimension (W x H)	1.063 in. x 1.496 in.
Labeling option	on housing

Connections/interfaces

Number of ports interface 2	1
Number of ports interface 2 equipped	0
Protective housing interface 1	V4
Protective housing interface 2	V4
Cable sheath diameter (min. - max.)	
Cable sheath diameter	5 mm - 10.00
Cable sheath diameter	0.197 in. - 0.394
Module plug-in direction	straight

Mechanical data

Mounting method	with screws or central nut
Life - Number of mating cycles	min. 750

Materials and material properties

Material - Protective housing	PA UL94 V0
Material - Protective housing seal	NBR (nitrile butadiene rubber)
Halogen free	yes
RoHS	compliant

P | Cabling

Data sheet

Page 3/7

Industry IP67 V4 bulkhead

P/N

1401043302KE

EAN 4250184114215

2023/02/15

Version: O

Technical Data

Environmental conditions

Temperature (min. - max.)	
Temperature - Storage °C	-40 °C - 70 °C
Temperature - Storage °F	-40 °F - 158 °F
Temperature - Operating °C	-40 °C - 70 °C
Temperature - Operating °F	-40 °F - 158 °F
Particulate ingress	IP6X
Liquid ingress/immersion	IPX6 and IPX7
Rapid change of temperature	-40°C / -40°F - +70°C / 158°F / 25 cycles t=30 min
Damp heat	+25°C / +77°F / +65°C / +149°F / 93% RH // -10°C / -14°F 21 cycles
Salt spray fog test (NSS Test)	35 °C / 95 °F / 4 days, 5% NaCL
Increased robustness	yes
Increased chemical resistance	yes
General information	This product is suitable for use in industrial environments inside buildings with IPxy protection class according to DIN EN 60529 specified in this data sheet. Not specified for outdoor applications.

Approvals

UL listed (file no.)



DUXR.E178484

Standards/Regulations

Generic cabling systems	
Industrial area	ISO/IEC 24702 DIN EN 50173-3
UL standard for Communications-Circuit Accessories	UL 1863
Degrees of Protection Provided by Enclosures	IEC 60529
Connectors for electronic equipment	
Rectangular connectors	DIN EN 61076-3-106

Classifications

ETIM 5.0	EC002597
ETIM 6.0	EC002597
ETIM 7.0	EC000437
ETIM 8.0	EC000437



P | Cabling

Data sheet Industry IP67 V4 bulkhead

Page 4/7

P/N
1401043302KE
EAN 4250184114215
2023/02/15
Version: O

Technical Data

Packing details

Type of packaging	10 pc(s) / box
Packaging unit - Weight (gram)	166 g
Packaging unit - Weight (pound)	0.37 lb
Packaging dimension	258 mm x 164 mm x 51 mm
Packaging dimension	10.157 in. x 6.457 in. x 2.008 in.



Accessories

P/N	Designation
1401048102KI	Industry IP67 V4 bulkhead protective cap
1401100810MI	E-DAT Industry RJ45 field jack insert Cat.6 Class E _A , T568A
1401200810MI	E-DAT Industry RJ45 coupler insert Cat.6 Class E
1401800810MI	E-DAT Industry RJ45 field jack insert Cat.6 Class E _A , T568B
1401900810MI	E-DAT Industry RJ45 field jack insert Cat.6 Class E _A , PROFINET
1401U00812KI	E-DAT Industry USB A 2.0 adapter insert
1401U10812KI	E-DAT Industry USB A 3.0 adapter insert
1402100820MI	OpDAT Industry SC-RJ/2SC MM adapter insert
1402300820MI	OpDAT Industry LC-D MM adapter insert
1402K00820MI	OpDAT Industry SC-RJ/2SC SM adapter insert
1402L00820MI	OpDAT Industry LC-D SM adapter insert
140310-E	Screwdriver bulkhead V4

© 2023 METZ CONNECT - Technische Änderungen vorbehalten! Subject to modifications! Sous réserve de modifications techniques!

P | Cabling

Data sheet

Industry IP67 V4 bulkhead

Page 6/7

P/N

1401043302KE

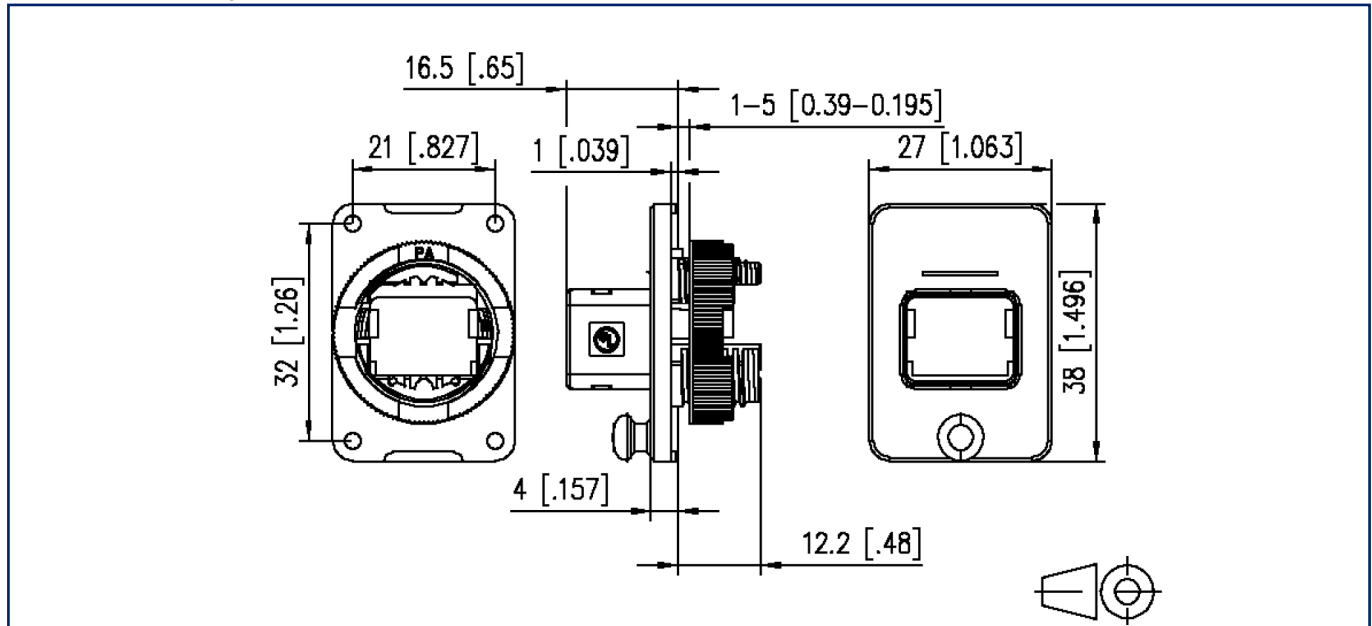
EAN 4250184114215

2023/02/15

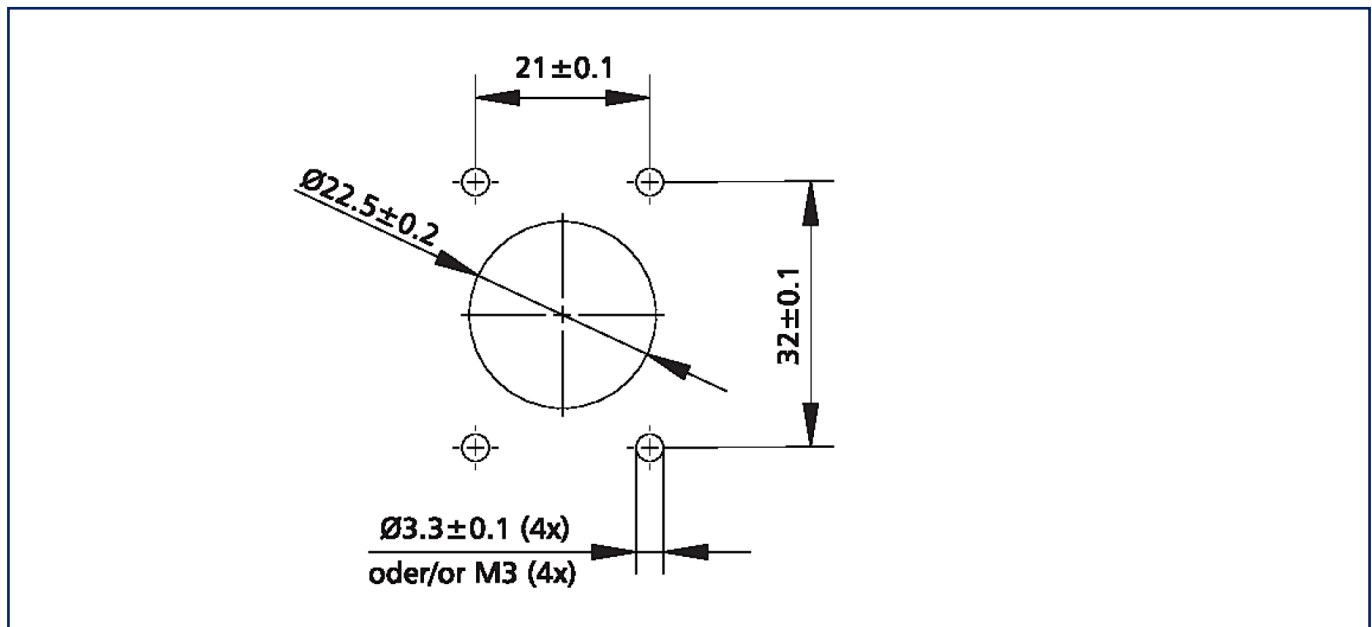
Version: O

Illustrations

Dimensional drawing



Cut-out



P | Cabling

Data sheet

Industry IP67 V4 bulkhead

Page 7/7

P/N

1401043302KE

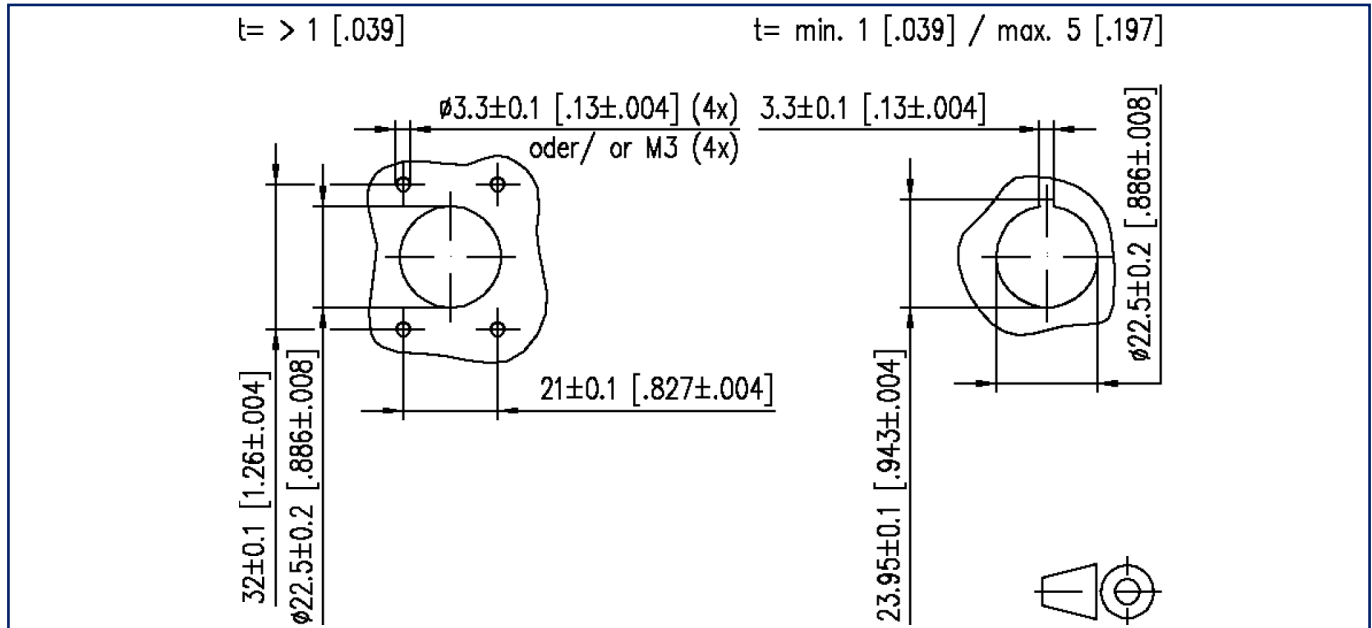
EAN 4250184114215

2023/02/15

Version: O

Illustrations

Cut-out



© 2023 METZ CONNECT - Technische Änderungen vorbehalten! Subject to modifications! Sous réserve de modifications techniques!