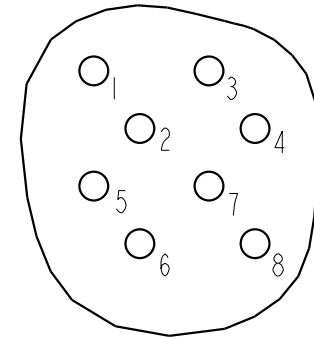
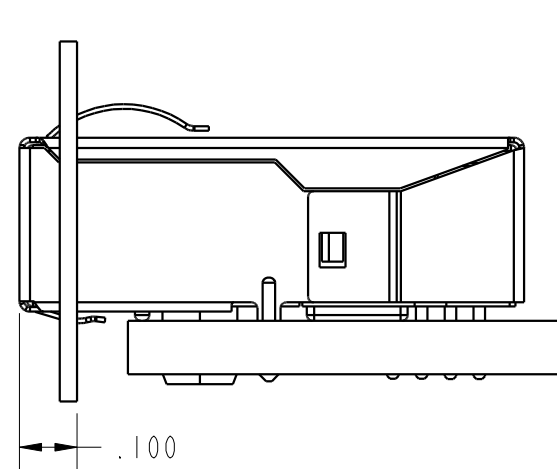
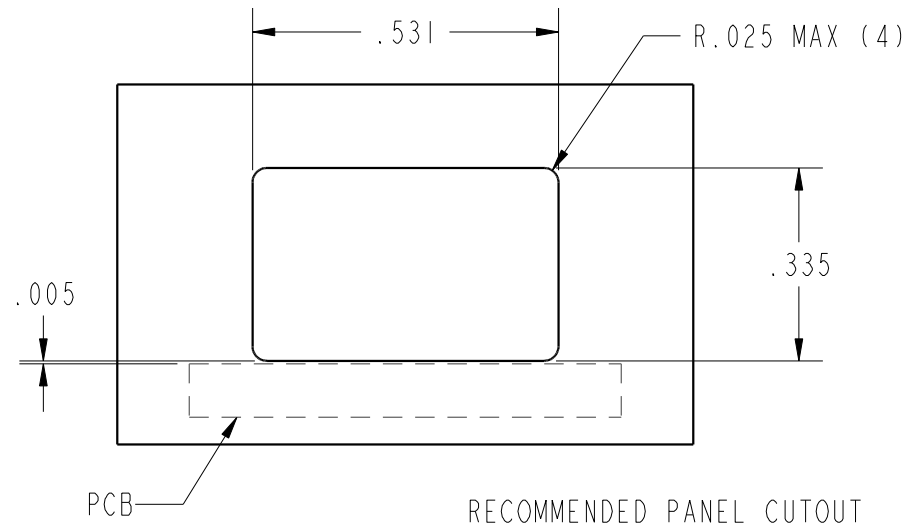
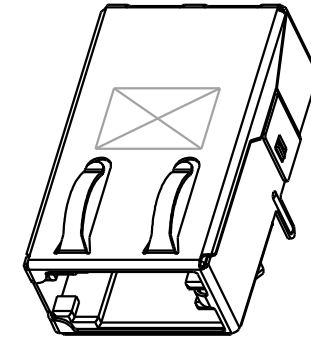


DATE	REV.	ECN	APP'D BY
2-23-15	A1	10263	ADB
3-30-16	A2	10654	TRM



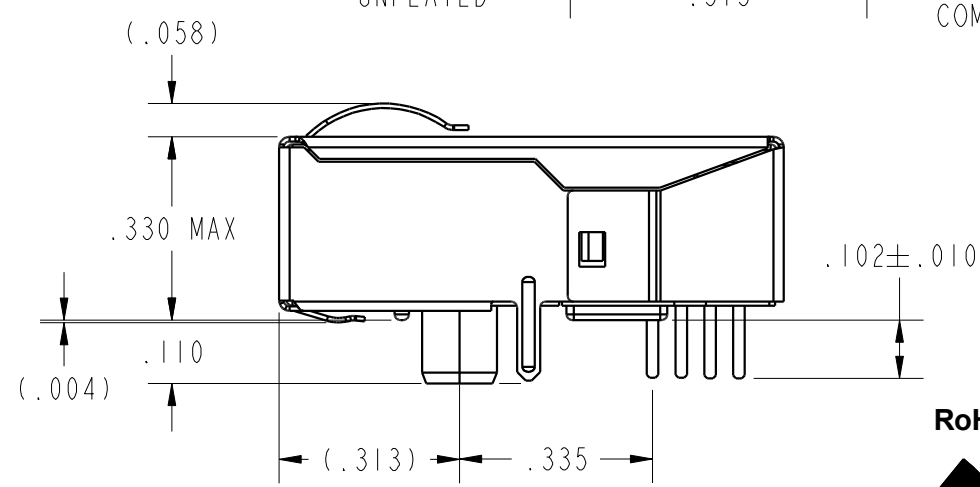
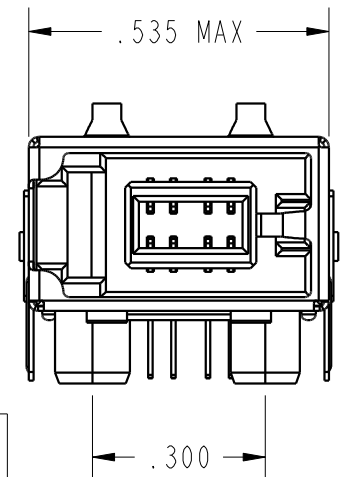
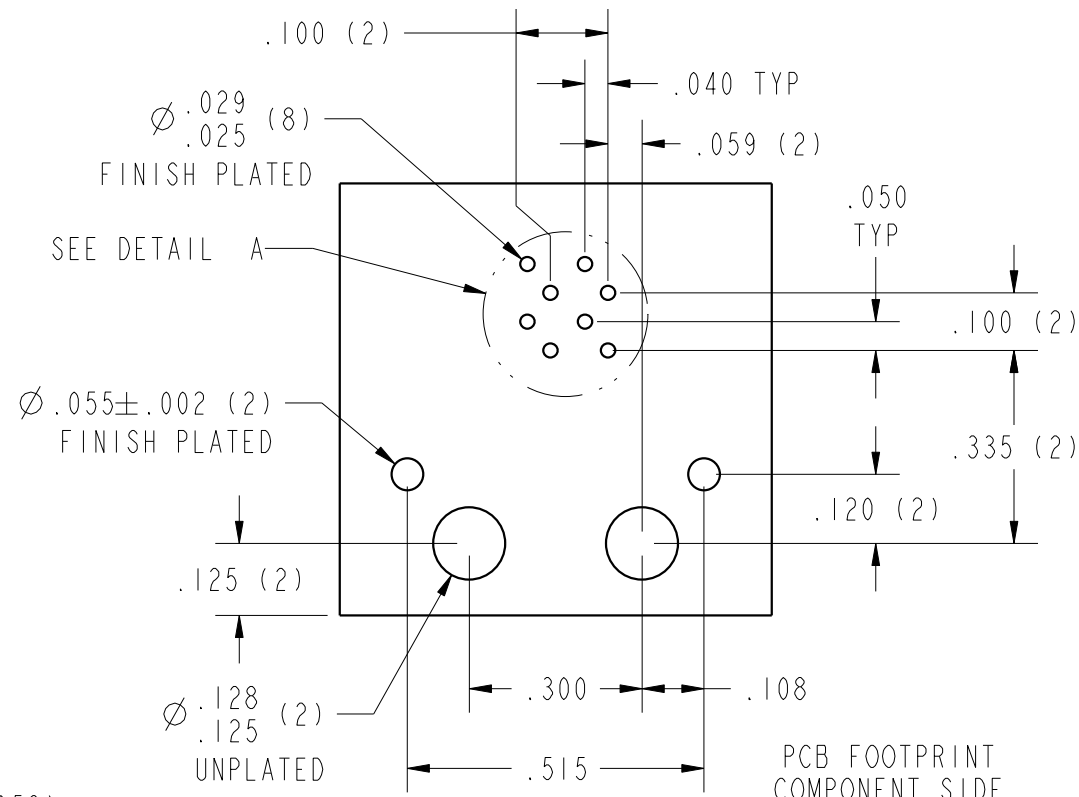
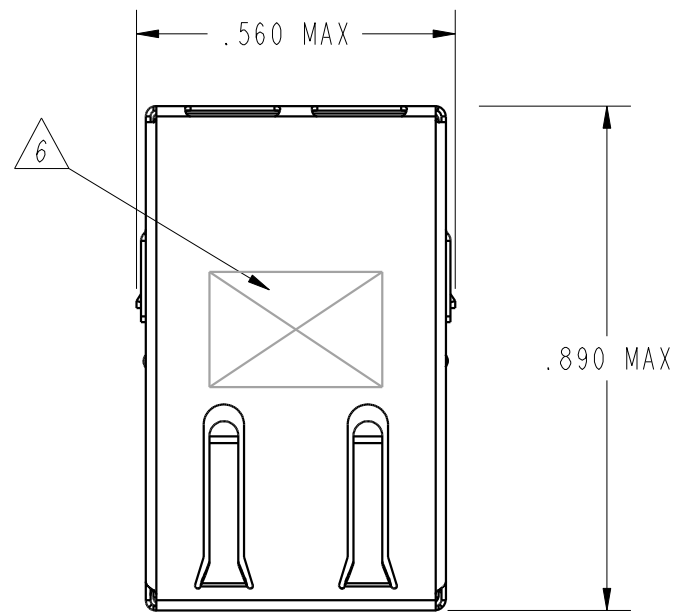
PINOUT NUMBERING
DETAIL A
SCALE 6.000



NOTES:

- CONNECTOR MATERIALS
HOUSING: THERMOPLASTIC UL94 V-0
CONTACTS/SHIELD: COPPER ALLOY
SHIELD PLATING: NICKEL
CONTACT PLATING: SELECTIVE GOLD OVER PALADIUM-NICKEL
- REFER TO PRODUCT SPECIFICATION PR036-01.
- WAVE SOLDER COMPATIBLE TO 260°C
- PoE+ CAPABLE
- SUGGESTED PANEL OPENING AND LOCATION IS INTENDED TO GIE USER THE ABILITY TO HAVE REASONABLE JACK/PANEL CLEARANCES, YET MAINTAIN GRUONDING CAPABILITY. THESE VARIABLES CAN BE ADJUSTED BUT MAY RESULT IN LOWER MATING FORCES OR TIGHTER ASSEMBLY TOLERANCES.

LOGO, PART NUMBER, AND DATE CODE LOCATED IN THIS APPROXIMATE AREA.



30 μIN Pd-Ni, FLASH Au	RJP5-10-0003
CONTACT PLATING IN MATING AREA	PART NUMBER

THIRD ANGLE PROJECTION

DO NOT SCALE DRAWING
DRAWING IS SUBJECT TO CHANGE WITHOUT NOTICE
DIMENSIONS: INCHES [METRIC]
UNLESS OTHERWISE SPECIFIED TOLERANCES ARE ±.005 [0.13] ANGLES ARE ±1°
SHEET NO. 1 OF 1



11118 Susquehanna Trail South
Glen Rock, PA 17327-9199
(717) 235-7512
<http://www.stewartconnector.com>

RJ POINT FIVE, JACK, HORIZONTAL, SINGLE PORT, SHIELDED, PGI		DRN BY: SAW	DATE 6-30-11
THIS DRAWING AND THE SUBJECT MATTER SHOWN THEREON ARE CONFIDENTIAL AND THE PROPRIETARY PROPERTY OF STEWART CONNECTOR AND SHALL NOT BE REPRODUCED, COPIED, OR USED IN ANY MANNER WITHOUT PRIOR WRITTEN CONSENT OF STEWART CONNECTOR. ONE OR MORE U.S. PATENTS MAY APPLY TO THIS PRODUCT. FOR DETAILS, PLEASE VISIT: HTTP://BELFUSE.COM/STEWART/STEWART_PATENTS/		APPD BY: JLB	DATE 12-20-11
		DWG. NO. CT999043	REV. A2

RJ POINT FIVE IS A TRADEMARK OF TE CONNECTIVITY USED HERE BY PERMISSION

