

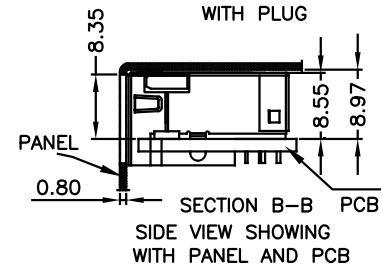
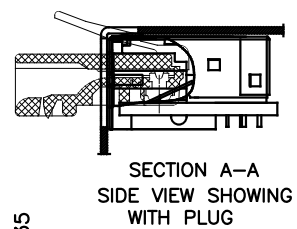
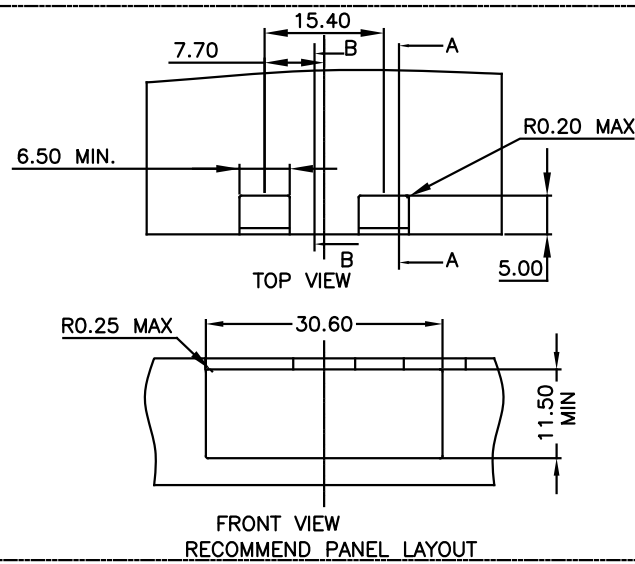
REVISIONS			
REV	DESCRIPTION, ECN, EAR NO.	DATE	APP'D
B	PROPOSAL DRAWING	MAR03/12	L.CHAN
C	CHANGE SHELL SHAPE ON THE TOP FACE	JUN03/14	L.CHAN
D	CHANGE PRODUCT LENGTH TO 30.60	OCT29/20	K.T

NOTES:
ELECTRICAL:

- VOLTAGE RATING: 125 VAC.
- CURRENT RATING: 1.25 AMPS PER CONTACT.
- INSULATING RESISTANCE: 500 MEGOHMS MINIMUM.
- DIELECTRIC STRENGTH: CONTACT TO CONTACT, 1000VAC, 60Hz, 1 MIN.
CONTACT TO LED, 1500VAC, 60Hz, 1 MIN.
CONTACT TO SHIELD, 1500VAC, 60Hz, 1 MIN.
LED TO SHIELD, 1000VAC, 60Hz, 1 MIN.

5. CATEGORY 5E CHARACTERISTIC:

MHz	dB, MIN.	dB, MIN.	dB, MAX.
1.0	65	30	0.1
4.0	65	30	0.1
8.0	64.9	30	0.1
10.0	63	30	0.1
16.0	58.9	30	0.2
20.0	57	30	0.2
25.0	55	30	0.2
31.25	53.1	30	0.2
62.5	47.1	24.1	0.3
100.0	43	20	0.4



MECHANICAL:

- SHIELD: STAINLESS STEEL, WITH TIN-DIP ON SOLDER TABS.
- HOUSING: HIGH TEMP THERMOPLASTIC. UL 94V-0, BLACK
- INSERT: HIGH TEMP THERMOPLASTIC UL 94V-0.
- PCB: FR-4.
- CONTACT: PHOSPHOR BRONZE.
SELECTIVE GOLD PLATING FOR MATING SURFACE,
SEE AMPHENOL PART NUMBER FOR DETAIL.
50u" NICKEL UNDERPLATE
100u" MATTE TIN PLATING ON CONTACT SOLDER TAIL.

ENVIRONMENTAL:

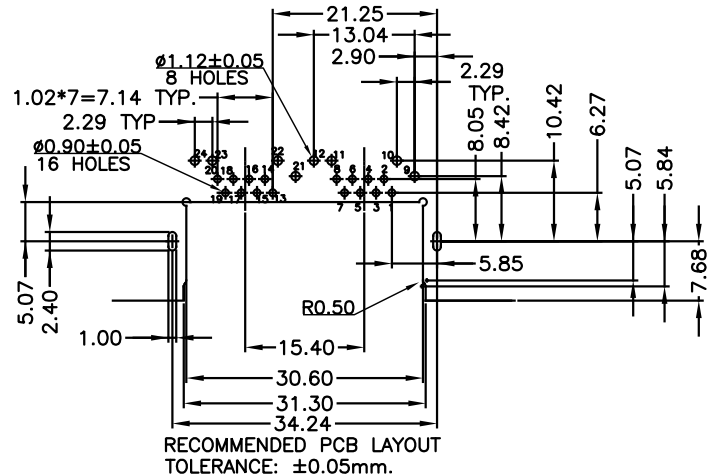
- STORAGE: -40° TO +85°.
 - OPERATION: -55° TO +85°.
- MATES WITH MODULAR PLUG CONFORMING TO TIA 1096.
RECOMMENDED SOLDER PROCESS: WAVE SOLDER, PEAK TEMPERATURE 260° FOR 5 SECOND MAXIMUM.

AMPHENOL PART NUMBER: RJE72-288-1XXX

- GOLD PLATING OPTION _____ OPTIONS (SEE BELOW TABLE 1)
- 1=6u" GOLD PLATING
 - 2=15u" GOLD PLATING
 - 3=30u" GOLD PLATING
 - 4=50u" GOLD PLATING
- REFER TO SHEET 2 FOR LED OPTIONS

TABLE 1:

RJE722881XX1	3.18	2.36
RJE722881XX2	2.27	1.57
AMPHENOL P/N:	DIM A	RECOMMEND PCB THICKNESS



RECOMMENDED PCB LAYOUT
TOLERANCE: ±0.05mm.

THIS DOCUMENT CONTAINS PROPRIETARY INFORMATION AND SUCH INFORMATION MAY NOT BE DISCLOSED TO OTHERS FOR ANY PURPOSE OR USED FOR MANUFACTURING PURPOSES WITHOUT WRITTEN PERMISSION FROM AMPHENOL CANADA CORP.

UNLESS SPECIFIED OTHERWISE	DRAWN	HUGH WANG	FEB22/12
PRIMARY UNITS MILLIMETERS	CHECKED	L.CHAN	FEB22/12
SECONDARY	M.E. APP'D		
REFERENCE IN PARENTHESES	Q.A. APP'D		
GENERAL TOLERANCES FOR MM	DWG APP'D	A.GREEN	FEB22/12
1 DECIMAL PLACE	±0.5	ENG. REL. NO.	
2 DECIMAL PLACES	±0.30	REF.	
3 DECIMAL PLACES	±0.10		
ANGULAR DEGREE	±3°		

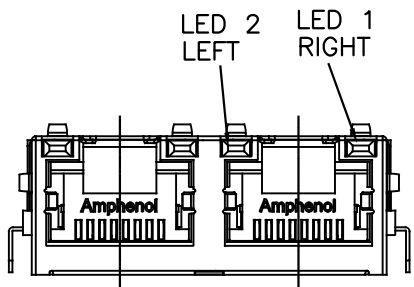
Amphenol Canada Corp.
Commercial Products

MODULAR JACK, 1X2 PORTS, 8 POSITIONS,
8 CONTACTS, SHIELDED WITH TOP&SIDE TABS,
WITH LED, SINK PCB TYPE, TAB UP, CAT5E

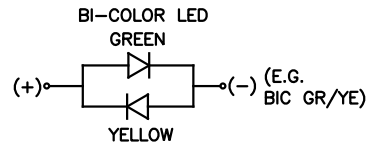
DWG NO. P-RJE72-288-1XXX

CODE ID NO. 03554 | DWG SIZEN/A | SCALE FIT | SHEET 1 OF 2

REVISIONS			
REV	DESCRIPTION, ECN, EAR NO.	DATE	APP'D
B	PROPOSAL DRAWING	MAR03/12	L.CHAN
C	CHANGE SHELL SHAPE ON THE TOP FACE	JUN03/14	L.CHAN
D	CHANGE PRODUCT LENGTH TO 30.60	OCT29/20	K.T



LED SCHEMATIC



LED SPECIFICATIONS:

FORWARD VOLTAGE: 2.1 VOLTS TYP.
 REVERSE VOLTAGE: 5.0 VOLTS MAX.
 LUMINOUS INTENSITY: 0.5 mCd MIN.
 (AT If=2mA)
 STORAGE TEMPERATURE: -40° TO 85° C

PLATING ON TAILS: TIN OR TIN/COPPER ALLOY OVER SILVER

PRIMARY COLOR FOR BI-COLOR LEDS IN STANDARD ANODE/CATHODE CONFIGURATION IS:
 RED-GREEN= RED
 RED-YELLOW= RED
 GREEN-YELLOW= GREEN
 GREEN-ORANGE= GREEN

EXAMPLE:

PART NUMBER RJE72-288-1XXX
 ↑
 LED COLOR CODE

CODE	LED 2 (LEFT)	LED 1 (RIGHT)	CODE	LED 2 (LEFT)	LED 1 (RIGHT)	CODE	LED 2 (LEFT)	LED 1 (RIGHT)
0	BLOCKED	BLOCKED	9	GREEN	BLOCKED	J	BiC RD/GR	YELLOW
1	YELLOW	GREEN	A	BiC GR/YE	BiC GR/YE	K	YELLOW	BiC GR/OR
2	BLOCKED	GREEN	B	BiC RD/GR	BiC RD/GR	L	BiC GR/YE	RED
3	YELLOW	BLOCKED	C	BiC RD/GR	BiC GR/YE	M	RED	YELLOW
4	GREEN	YELLOW	D	GREEN	BiC GR/YE	P	GREEN	BiC RD/GR
5	GREEN	GREEN	E	YELLOW	BiC GR/YE	R	BiC GR/OR	GREEN
6	YELLOW	YELLOW	F	BiC GR/YE	YELLOW	T	RED	RED
7	RED	GREEN	G	BiC GR/OR	BiC GR/OR	V	BiC RD/GR	GREEN
8	GREEN	RED	H	BiC GR/YE	GREEN			

LEGEND

BiC=BI-COLOR LED
 LOWC=LOW CURRENT LED
 YE=YELLOW
 GR=GREEN
 RD=RED
 OR=ORANGE

NOTE:

THE TWO DIGITS PRECEDING THE ADDITIONAL LED CODE MUST BE USED IN THE PART NUMBER, WHEN ORDERING ANY OF THE ADDITIONAL LED OPTIONS.



UNLESS SPECIFIED OTHERWISE	DRAWN HUGH WANG	FEB22/12
PRIMARY UNITS MILLIMETERS	CHECKED L.CHAN	FEB22/12
SECONDARY	M.E. APP'D	
REFERENCE IN PARENTHESES	Q.A. APP'D	
GENERAL TOLERANCES FOR MM	DWG APP'D A.GREEN	FEB22/12
1 DECIMAL PLACE ±0.5	ENG. REL. NO.	
2 DECIMAL PLACES ±0.30	REF.	
3 DECIMAL PLACES ±0.10	THIRD ANGLE PROJECTION	
AUGULAR DEGREE ±3°	DO NOT SCALE DRAWING	

Amphenol Canada Corp. Commercial Products	
MODULAR JACK, 1X2 PORTS, 8 POSITIONS, 8 CONTACTS, SHIELDED WITH TOP&SIDE TABS, WITH LED, SINK PCB TYPE, TAB UP, CAT5E	
DWG NO. P-RJE72-288-1XXX	REV D
CODE ID NO. 03554	DWG SIZE/A SCALE FIT SHEET 2 OF 2