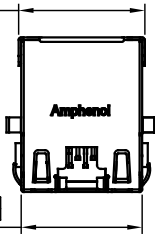


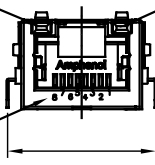
16.90 [.665]



16.20 [.638]

LED 2 LEFT

LED 1 RIGHT



PIN NUMBERS SHOW FOR REFERENCE ONLY, IT DOES NOT SHOW ON ACTUAL PART

19.84 [.781]

11.95 [.470]  
0.97 [.038]

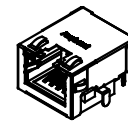
20.70 [.815]

8.55 [.337]

DIM A±0.20[DIM A±.008]  
TAIL LENGTH FOR LED AND SIGNAL PIN

8.98 [.354]  
13.75 [.541]

DIPPED ZONE



NOTES:

ELECTRICAL:

- VOLTAGE RATING : 125 VAC.
- CURRENT RATING : 1.25 AMPS PER CONTACT
- INSULATING RESISTANCE : 500 MEGOHMS MINIMUM.
- DIELECTRIC STRENGTH : 1000 VAC 60Hz, 1MIN.
- CATEGORY 6 CHARACTERISTIC:

Frequency MHz	Near-End Crosstalk dB, MIN.	Return Loss dB, MIN.	Insertion loss dB, MAX.
1.0	75.0	30.0	0.1
4.0	75.0	30.0	0.1
8.0	75.0	30.0	0.1
10.0	74.0	30.0	0.1
16.0	69.9	30.0	0.1
20.0	68.0	30.0	0.1
25.0	66.0	30.0	0.1
31.25	64.1	30.0	0.11
62.5	58.1	28.1	0.16
100.0	54.0	24.0	0.20
200.0	48.0	18.0	0.28
250.0	46.0	16.0	0.32

MECHANICAL:

- SHIELD : STAINLESS STEEL, WITH TIN-DIP ON SOLDER TABS.
- HOUSING : HIGH TEMP THERMOPLASTIC. UL 94V-0.
- INSERT : HIGH TEMP THERMOPLASTIC UL 94V-0.
- PCB : FR-4.
- CONTACT : PHOSPHOR BRONZE.  
SELECTIVE GOLD PLATING FOR MATING SURFACE, SEE AMPHENOL PART NUMBER FOR DETAIL.  
50u" NICKEL UNDERPLATE  
100u" MATTE TIN PLATING ON CONTACT SOLDER TAIL.

ENVIRONMENTAL:

- STORAGE : -40° TO +85°.
  - OPERATION : -40° TO +85°.
- MATES WITH MODULAR PLUG CONFORMING TO TIA 1096.  
RECOMMENDED SOLDER PROCESS: WAVE SOLDER, PEAK TEMPERATURE 260° FOR 5 SECOND MAXIMUM.

AMPHENOL PART NUMBER: RJE71-188-1XXX

GOLD PLATING OPTION

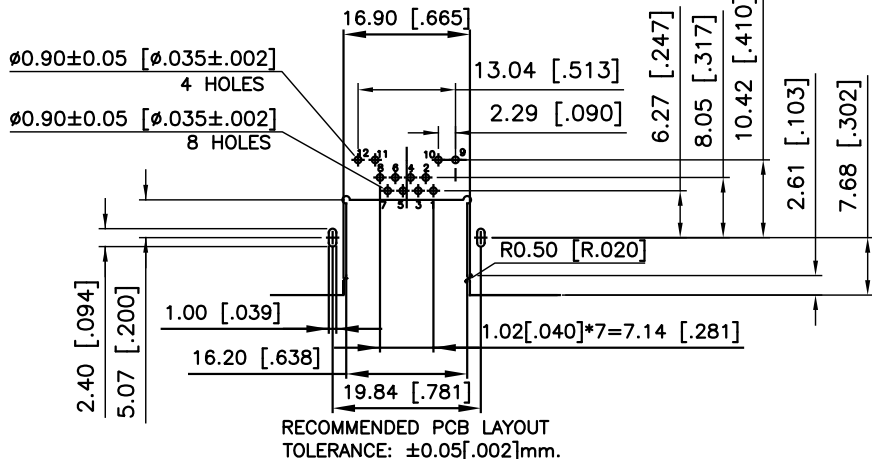
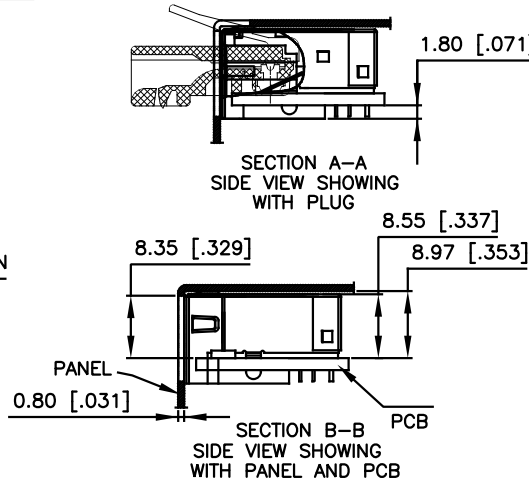
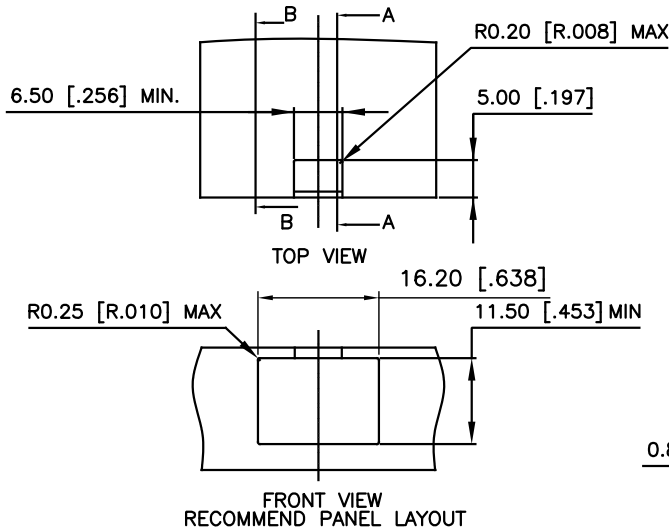
- 1=6u" [0.15 MICRONS] GOLD PLATING
- 2=15u" [0.38 MICRONS] GOLD PLATING
- 3=30u" [0.76 MICRONS] GOLD PLATING
- 4=50u" [1.27 MICRONS] GOLD PLATING

OPTIONS (SEE BELOW TABLE 1)  
REFER TO LED OPTIONS DRAWING FOR ORDERING CODES

TABLE 1

Part Number	Dimension 1	Dimension 2
RJE711881XX1	3.18[.125]	2.36[.093]
RJE711881XX2	2.27[.089]	1.57[.062]
RJE711881XX3	2.16[.085]	1.57[.062]

AMPHENOL P/N: DIM A      RECOMMEND PCB THICKNESS



UNLESS SPECIFIED OTHERWISE	DRAWN	HUGH WANG	JULY 17,2012
PRIMARY UNITS MILLIMETERS	CHECKED	L.CHAN	JULY 17,2012
SECONDARY INCHES	M.E. APP'D		
REFERENCE IN PARENTHESES	Q.A. APP'D		
GENERAL TOLERANCES FOR MM	DWG APP'D	ADRIAN.G	JULY 17,2012
1 DECIMAL PLACE ±0.50	ENG. REL. NO.		
2 DECIMAL PLACE ±0.30	REF.		
3 DECIMAL PLACE ±0.10			
ANGULAR DEGREES ±3°			

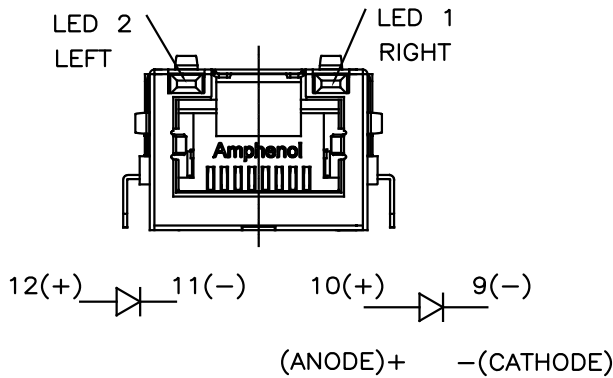
Amphenol Canada Corp.  
Commercial Products

MODULAR JACK, SINGLE PORT, 8 POSITIONS, 8 CONTACTS,  
SHIELDED WITH TOP & SIDE TABS, WITH LED,  
SINK PCB TYPE, TAB UP, CAT6

DWG NO.      P-RJE71-188-1XXX      REV G

CODE ID NO. 03554      DWG SIZE: C      SCALE: N/A      SHEET 1 OF 2

RJE71 SERIES LED OPTIONS  
TYPICAL FOR SINGLE PORT



EXAMPLE:

PART NUMBER RJE71-188-1XXX

LED COLOR CODE

CODE	LED 2 (LEFT)	LED 1 (RIGHT)	CODE	LED 2 (LEFT)	LED 1 (RIGHT)	CODE	LED 2 (LEFT)	LED 1 (RIGHT)
0	BLOCKED	BLOCKED	9	GREEN	BLOCKED	J	BiC RD/GR	YELLOW
1	YELLOW	GREEN	A	BiC GR/YE	BiC GR/YE	K	REFERENCE DRAWING "P-RJE71-188-1XKX"	
2	BLOCKED	GREEN	B	BiC RD/GR	BiC RD/GR	L	BiC GR/YE	RED
3	YELLOW	BLOCKED	C	BiC RD/GR	BiC GR/YE	M	RED	YELLOW
4	GREEN	YELLOW	D	GREEN	BiC GR/YE	P	GREEN	BiC RD/GR
5	GREEN	GREEN	E	YELLOW	BiC GR/YE	R	BiC GR/OR	GREEN
6	YELLOW	YELLOW	F	BiC GR/YE	YELLOW	T	RED	RED
7	RED	GREEN	G	BiC GR/OR	BiC GR/OR	V	BiC RD/GR	GREEN
8	GREEN	RED	H	BiC GR/YE	GREEN			

REVISIONS			
REV	DESCRIPTION, ECN, EAR NO.	DATE	APP'D
E	CHANGE SHELL SHAPE ON THE TOP FACE	MAR06,2015	L.CHAN
F	UPDATE LED SCHEMATIC	DEC17,2015	L.CHAN
G	UPDATE LED CODE INSTRUCTIONS	DEC10,2019	L.CHAN

LED SPECIFICATIONS:

FORWARD VOLTAGE: 2.1 VOLTS TYP.  
REVERSE VOLTAGE: 5.0 VOLTS MIN.  
LUMINOUS INTENSITY: 0.5 mCd MIN.  
(AT If=2mA)  
STORAGE TEMPERATURE: -40° TO 85° C  
LEAD SOLDERING TEMPERATURE: 260° C  
(5 SEC, 1/16" FROM CASE)  
PLATING ON TAILS: TIN OR TIN/COPPER  
ALLOY OVER SILVER

PRIMARY COLOR FOR BI-COLOR  
LEDS IN STANDARD ANODE/  
CATHODE CONFIGURATION IS:  
RED-GREEN= RED  
RED-YELLOW= RED  
GREEN-YELLOW= GREEN  
GREEN-ORANGE= GREEN

LEGEND

BiC=BI-COLOR LED  
LOWC=LOW CURRENT LED  
YE=YELLOW  
GR=GREEN  
RD=RED  
OR=ORANGE

NOTE:

THE TWO DIGITS PRECEDING THE  
ADDITIONAL LED CODE MUST BE  
USED IN THE PART NUMBER, WHEN  
ORDERING ANY OF THE ADDITIONAL  
LED OPTIONS.

UNLESS SPECIFIED OTHERWISE	DRAWN	HUGH WANG	JULY 17,2012
PRIMARY UNITS MILLIMETERS	CHECKED	L.CHAN	JULY 17,2012
SECONDARY INCHES	M.E. APP'D		
REFERENCE IN PARENTHESES	Q.A. APP'D		
GENERAL TOLERANCES FOR MM	DWG APP'D	ADRIAN.G	JULY 17,2012
1 DECIMAL PLACE ±0.50	ENG. REL. NO.		
2 DECIMAL PLACE ±0.30	REF.		
3 DECIMAL PLACE ±0.10	THIRD ANGLE PROJECTION		
ANGULAR DEGREES ±3°	DO NOT SCALE DRAWING		

Amphenol Canada Corp.  
Commercial Products

MODULAR JACK, SINGLE PORT, 8 POSITIONS, 8 CONTACTS,  
SHIELDED WITH TOP & SIDE TABS, WITH LED,  
SINK PCB TYPE, TAB UP, CAT6

DWG NO. P-RJE71-188-1XXX REV G

CODE ID NO. 03554 DWG SIZE: C SCALE: N/A SHEET 1 OF 2