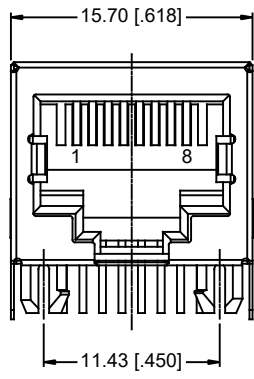
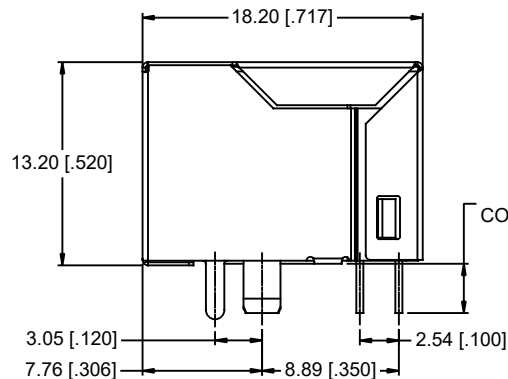


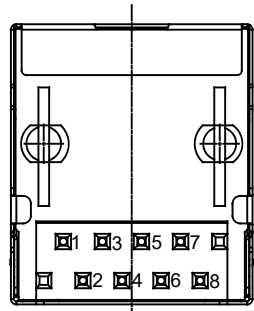
| REVISIONS |                           |          |        |
|-----------|---------------------------|----------|--------|
| REV       | DESCRIPTION, ECN, EAR NO. | DATE     | APP'D  |
| A         | NEW PROPOSAL              | NOV30/22 | KELVIN |
|           |                           |          |        |
|           |                           |          |        |



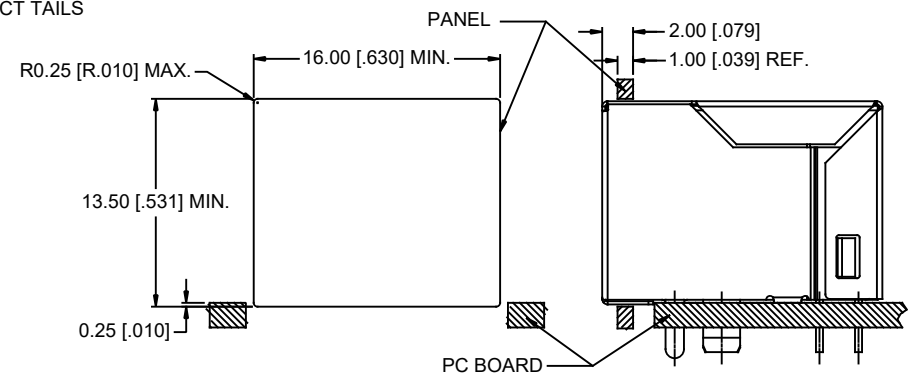
FRONT VIEW



SIDE VIEW



BOTTOM VIEW

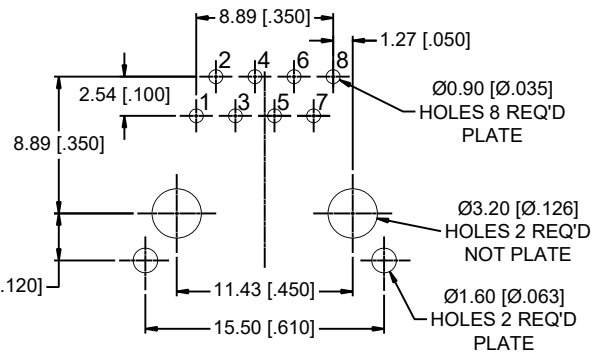


RECOMMENDED PANEL CUTOUT

**NOTES:**

- MATERIALS:**  
 CONTACTS: PHOSPHOR BRONZE, 0.46MM DIAMETER, PLATING: 3μ [0.051 MICRONS] MIN. GOLD PLATING, 30μ [0.762 MICRONS] MIN. NICKEL OVERALL.  
 HOUSING: HIGH TEMPERATURE THERMOPLASTIC, FLAMMABILITY RATING UL 94V-0 COLOR - BLACK.  
 SHIELD: BRASS WITH NICKEL PLATING
- MECHANICAL:**  
 MATING FORCE: 5.0 LBS MAXIMUM
- ELECTRICAL:**  
 CONTACT RESISTANCE: 20 MILLIOHMS MAXIMUM  
 INSULATION RESISTANCE: 500 MEGOHMS MINIMUM  
 CURRENT RATING: 1.5 AMPS  
 VOLTAGE RATING: 125 VOLTS AC
- ENVIRONMENTAL:**  
 STORAGE TEMPERATURE: -40°C TO +85°C
- RECOMMENDED SOLDERING TEMPERATURE:**  
 WAVE SOLDERING PEAKED AT 260°C FOR 5 TO 8 SECONDS,  
 OR REFLOW SOLDERING PEAKED AT 260°C FOR 10 SECONDS MAXIMUM.

AMPHENOL PART NUMBER: RJE09-188-4511-C



RECOMMENDED P.C.B LAYOUT  
 (TOLERANCE: ±0.05[±.002])  
 (COMPONENT SIDE OF PC BOARD)



|                            |                        |          |          |
|----------------------------|------------------------|----------|----------|
| UNLESS SPECIFIED OTHERWISE | DRAWN                  | RONNIE.C | NOV30/22 |
| PRIMARY UNITS MILLIMETERS  | CHECKED                | KELVIN.T | NOV30/22 |
| SECONDARY INCHES           | M.E. APP'D             |          |          |
| REFERENCE IN PARENTHESES   | Q.A. APP'D             |          |          |
| GENERAL TOLERANCES         | DWG APP'D              |          |          |
| 1 DECIMAL PLACE ±0.30      | ENG. REL. NO.          |          |          |
| 2 DECIMAL PLACES ±0.20     | REF.                   |          |          |
| 3 DECIMAL PLACES ±0.13     |                        |          |          |
| ANGULAR DEGREES ±2.0°      | THIRD ANGLE PROJECTION |          |          |

|  |                                   |
|--|-----------------------------------|
| Amphenol Canada Corp.<br>Commercial Products   |                                   |
| SINGLE PORT MODULAR JACK,<br>TAB DOWN, 8 POSITION, 8 CONTACTS,<br>SHIELDED -RoHS COMPLIANT |                                   |
| DWG NO.<br>P-RJE09-188-4511-C  | REV<br>A                          |
| CODE ID NO. 03554  | DWG SIZE X SCALE N/A SHEET 1 OF 1 |