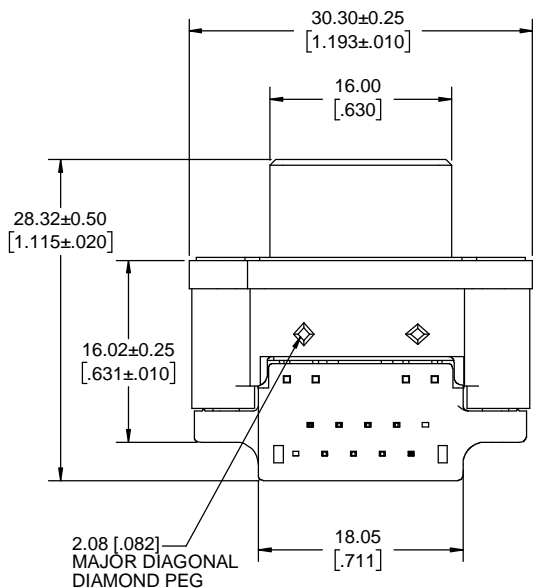
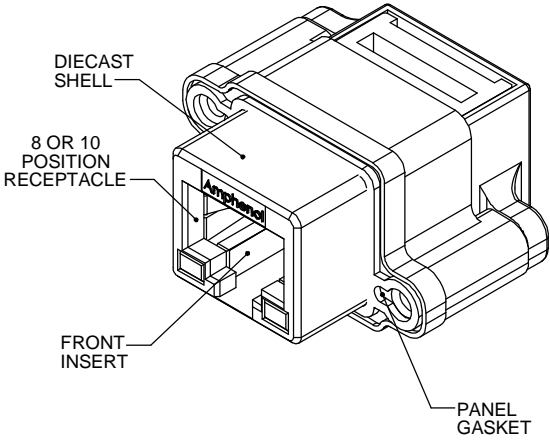
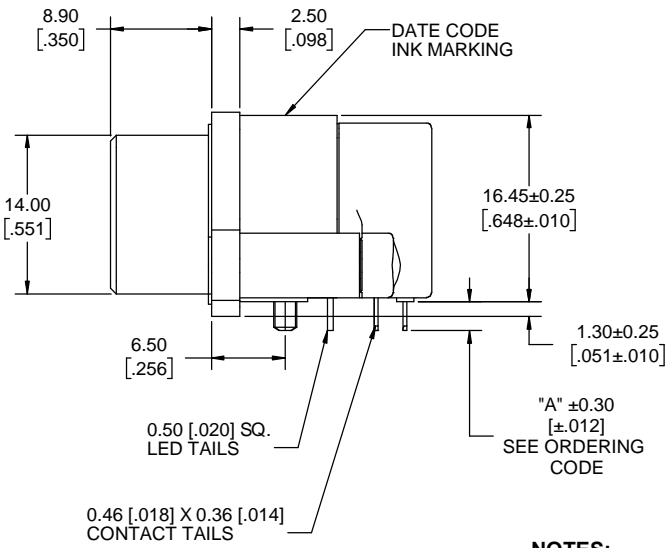
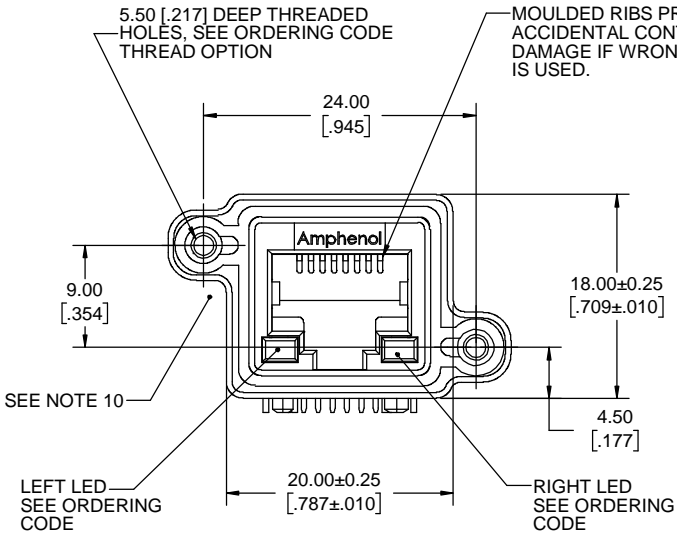


REVISIONS			
REV	DESCRIPTION, ECN, EAR NO.	DATE	APP'D
B	PRODUCT DRAWING (EAR 14605)	MAY22/18	K.L.



ORDERING CODE: MRJR-53XX-XC

- SERIES, RUGGED RJ
- RJ45 RECEPTACLE, RIGHT ANGLE PCB TAIL
- NUMBER OF CONTACTS:
8 = 8 CONTACTS
A = 10 CONTACTS
- LED OPTION:
0 = NONE
1 = GREEN LEFT, YELLOW RIGHT
4 = YELLOW LEFT, GREEN RIGHT
5 = GREEN LEFT, GREEN RIGHT
7 = RED LEFT, GREEN RIGHT
A = BI-COLOUR GREEN/YELLOW LEFT
BI-COLOUR GREEN/YELLOW RIGHT
D = GREEN LEFT
BI-COLOUR GREEN/YELLOW RIGHT
E = YELLOW LEFT
BI-COLOUR GREEN/YELLOW RIGHT
- TAIL LENGTH AND MOUNTING HOLE THREAD OPTION:
0 = "A" 2.54 [.100], #4-40 UNC
B = "A" 3.81 [.150], #4-40 UNC
M = "A" 2.54 [.100], M3 X 0.5
P = "A" 3.81 [.150], M3 X 0.5
- SINGLE PORT, EXTRA CLEARANCE NEAR SHELL MOUNTING HOLES

NOTES:

1. MATERIAL: ALL MATERIALS ARE RoHS COMPLIANT PER EU DIRECTIVE 2011/65/EU AND AMENDMENTS
 ~ SHELL - DIECAST ZINC, NICKEL PLATED
 ~ CONTACTS - PHOSPHOR BRONZE WITH 1.27µm [50 µm] MIN GOLD OVER 1.27µm [50 µm] MIN NICKEL ON THE MATING AREA AND MATTE TIN OVER NICKEL ON THE CONTACT TAILS.
 ~ INSERTS - ENGINEERING THERMOPLASTIC, UL94V-0 FLAMMABILITY RATING
 ~ REAR INSERTS: BLACK NYLON, FRONT INSERT: CLEAR POLYCARBONATE
 ~ GASKET - SILICONE RUBBER, CONDUCTIVE, BLACK
 ~ LED'S - EPOXY LENS, STEEL TAILS WITH TIN PLATING
2. ENVIRONMENTAL PERFORMANCE PER IEC 60529 CODE IP67 FOR SEAL BETWEEN MATING AREA AND PCB SIDE OF CONNECTOR. GASKET PROVIDES SEAL TO INSIDE FACE OF PANEL.
3. CURRENT RATING: 1.5 AMPERES
4. CONTACT RESISTANCE: 30 MILLIOHMS MAXIMUM
5. OPERATING TEMPERATURE: -40C TO +105C
6. LED CHARACTERISTICS: FORWARD DC CURRENT 25 mA MAX., FORWARD VOLTAGE 2.5V MAX. @ 2 mA
7. RECOMMENDED TORQUE FOR PANEL MOUNT SCREWS: 0.45 TO 0.65 N-m (4.0 TO 5.75 IN-LBS) FOR STEEL SCREWS WITH 3.00 (.118) THREAD ENGAGEMENT
8. CUSTOMER TO VERIFY THAT ALL PROCESS CLEANERS ARE COMPATIBLE WITH POLYCARBONATE MATERIAL.
9. AVAILABLE MATING AREA COVERS PROVIDE ADDED PROTECTION. CONSULT WITH AMPHENOL CANADA FOR MORE DETAILS.
10. COMPARED TO DRAWING P-MRJR-53XX-X1, PARTS ON THIS DRAWING HAVE EXTRA CLEARANCE NEAR THE SHELL MOUNTING HOLES (2 PLCS).



SPECIAL CONNECTORS
MANY UNIQUE FEATURES ARE READILY AVAILABLE TO SUIT CUSTOMER REQUIREMENTS. CONSULT WITH AMPHENOL CANADA FOR DETAILS.

UNLESS SPECIFIED OTHERWISE	DRAWN I. FOUK ALADEH	SEP13/17
PRIMARY UNITS MILLIMETERS	CHECKED K. LAMBIE	SEP18/17
SECONDARY INCHES	M.E. APP'D	
REFERENCE IN PARENTHESSES	Q.A. APP'D	
GENERAL TOLERANCES	DWG APPR.	
1 DECIMAL PLACE	ENG. REL. NO.	EAR 14605
2 DECIMAL PLACES ±0.15	REF.	
3 DECIMAL PLACES	THIRD ANGLE PROJECTION	
ANGULAR DEGREES		

Amphenol Canada Corp.
Commercial Products

MRJR SERIES RUGGED MODULAR JACK, RIGHT ANGLE, 8 OR 10 CONTACTS, LED, TAIL LENGTH & THREAD OPTIONS, EXTRA SHELL CLEARANCE, ROHS COMPLIANT

DWG. NO. **P-MRJR-53XX-XC** REV **B**

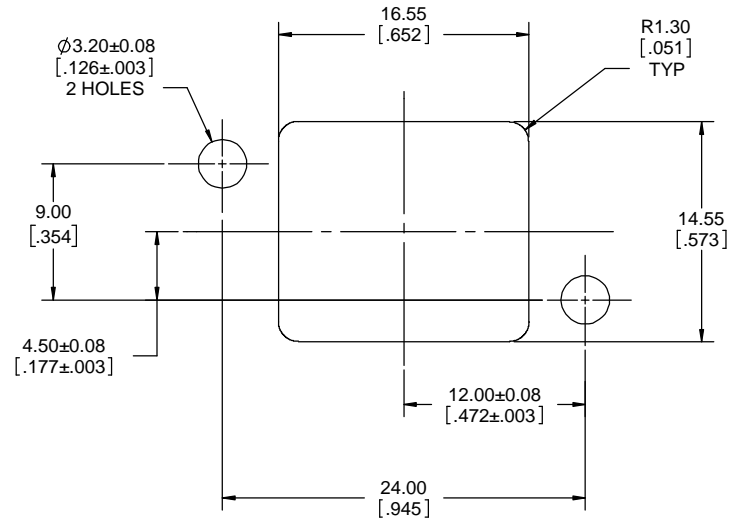
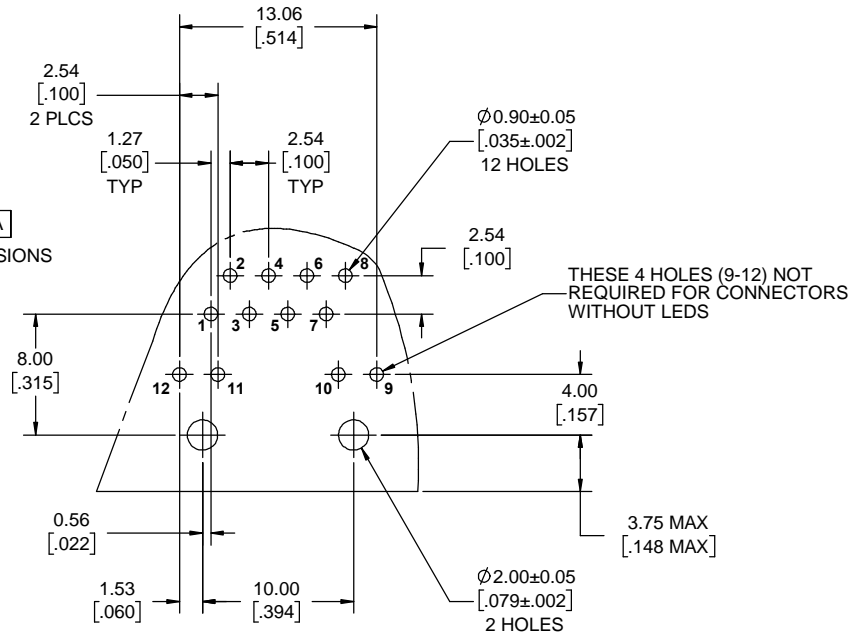
CODE ID NO. 03554 DWG. SIZE: X SCALE: 3:1 SHEET 1 OF 2

RECOMMENDED PCB LAYOUT
COMPONENT SIDE OF BOARD

REVISIONS			
REV	DESCRIPTION, ECN, EAR NO.	DATE	APP'D
B	PRODUCT DRAWING (EAR 14605)	MAY22/18	K.L.

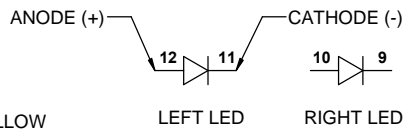
8 POSITION VIEW

LOCATE HOLES
 0.13 [.005] DIA
 POSITION DIMENSIONS ARE BASIC

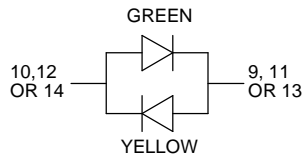


RECOMMENDED PANEL CUTOUT
OUTSIDE PANEL VIEW

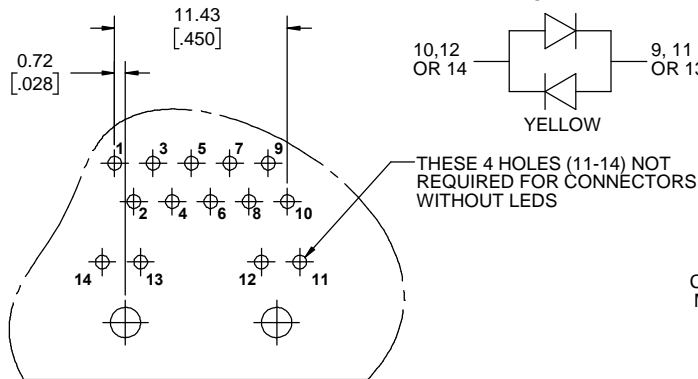
8 POSITION LED SCHEMATIC
RED, GREEN OR YELLOW



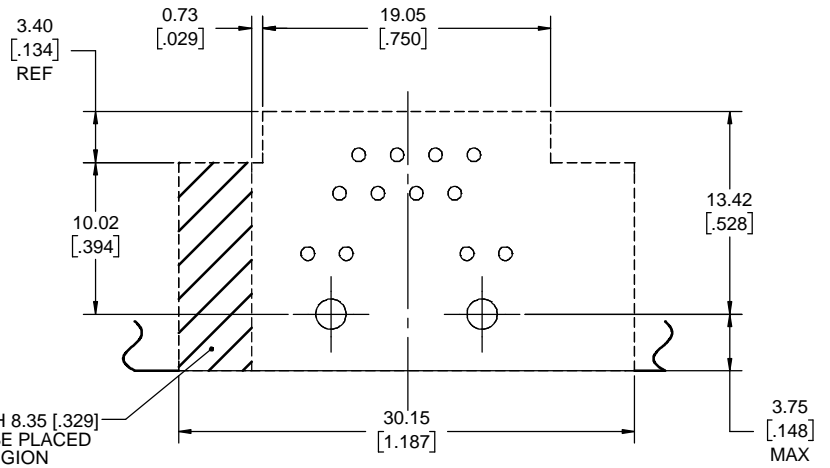
BI-COLOUR LED SCHEMATIC
LEFT OR RIGHT SIDE, 8 OR 10 POSITION



10 POSITION VIEW

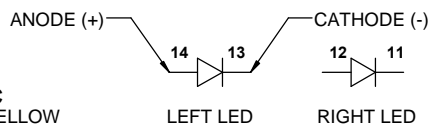


COMPONENTS WITH 8.35 [.329] MAX HEIGHT CAN BE PLACED IN SHADED REGION



RECOMMENDED KEEP-OUT ZONE
COMPONENT SIDE OF BOARD

10 POSITION LED SCHEMATIC
RED, GREEN OR YELLOW



UNLESS SPECIFIED OTHERWISE	DRAWN I. FOUK ALADEH	SEP13/17
PRIMARY UNITS MILLIMETERS	CHECKED K. LAMBIE	SEP18/17
SECONDARY INCHES	M.E. APP'D	
REFERENCE IN PARENTHESES	Q.A. APP'D	
GENERAL TOLERANCES	DWG APPR.	
1 DECIMAL PLACE	ENG. REL. NO.	EAR 14605
2 DECIMAL PLACES ±0.15	REF.	
3 DECIMAL PLACES	THIRD ANGLE PROJECTION	
ANGULAR DEGREES		

Amphenol Canada Corp.
Commercial Products

MRJR SERIES RUGGED MODULAR JACK,
RIGHT ANGLE, 8 OR 10 CONTACTS, LED, TAIL
LENGTH & THREAD OPTIONS, EXTRA SHELL
CLEARANCE, ROHS COMPLIANT

DWG. NO.	REV
P-MRJR-53XX-XC	B
CODE ID NO. 03554	DWG SIZE: X
SCALE: 5:1	SHEET 2 OF 2