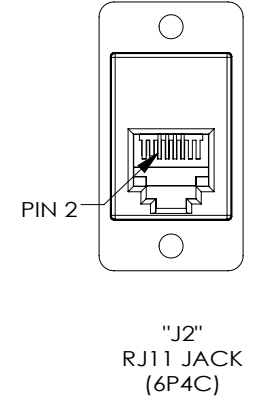
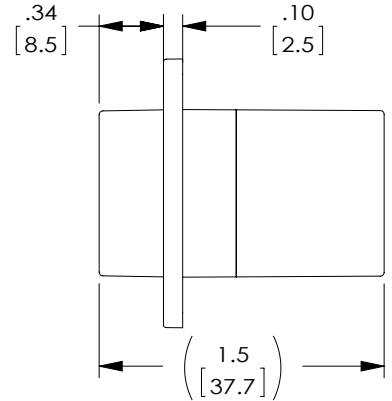
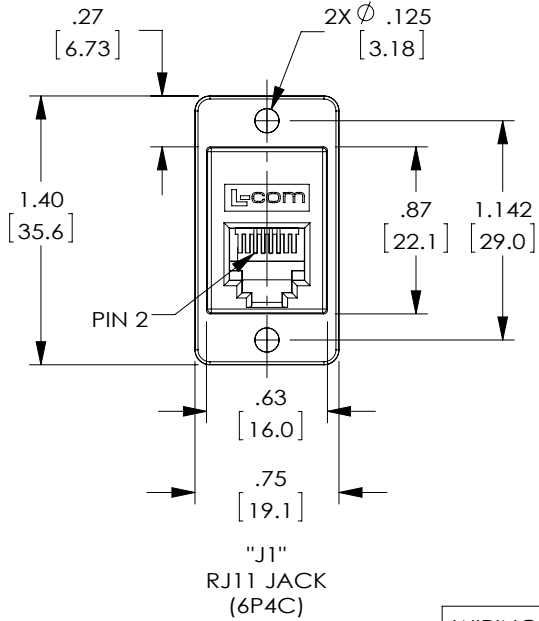


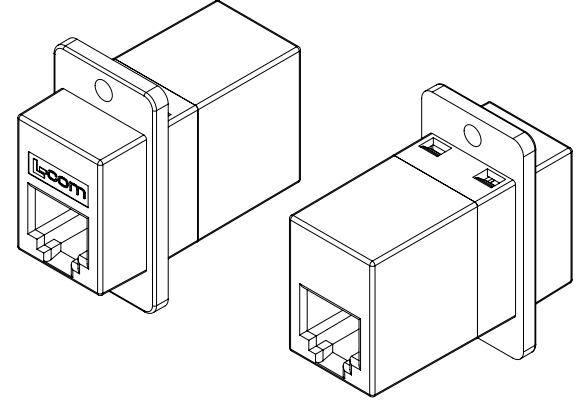
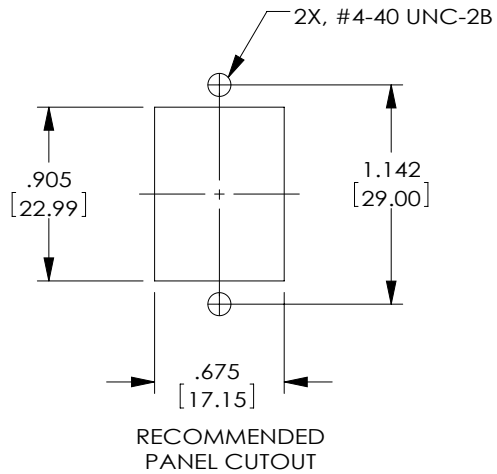
THE INFORMATION CONTAINED IN THIS DRAWING IS THE SOLE PROPERTY OF L-COM, INC. ANY REPRODUCTION IN PART OR WHOLE WITHOUT THE WRITTEN PERMISSION OF L-COM, INC. IS PROHIBITED.

REVISIONS			
REV	DESCRIPTION	DATE	APPROVED
A	CN INITIAL RELEASE	10/27/17	D.CUI

D
C
B
A



WIRING MAP	
"J1"	"J2"
2	2
3	3
4	4
5	5



NOTES:

MATERIAL:
HOUSING:ABS,UL94V-0,COLOR:IVORY
CONTACTS:PHOSPHOR BRONZE
CONTACT PLATING:GOLD,30 μ INCHES OVER NICKEL PLATING.

ELECTRICAL:
CURRENT RATING:2 AMPS (MAX.)
VOLTAGE RATING:140 VDC

MISCELLANEOUS:
ALL DIMENSIONS SHOWN ARE FOR REFERENCE ONLY.
OPERATING TEMPERATURE RANGE: -10 °C TO +70 °C.
RATING APPLICATION: CATEGORY 3

COMPONENT SHALL BE INDIVIDUALLY PACKAGED IN ACCORDANCE WITH L-COM SPECIFICATION PS-0031.

REGULATORY COMPLIANCE:
CE2011/65/EU(RoHS DIRECTIVE)

UNLESS OTHERWISE SPECIFIED, DIMENSIONS ARE IN INCHES [mm] OVERALL CABLE LENGTH TOLERANCE: ≤12 [305] = +1 [25] / -0 >12 [305] ≤60 [1524] = +2 [51] / -0 >60 [1524] ≤120 [3048] = +4 [102] / -0 >120 [3048] ≤300 [7620] = +6 [152] / -0 >300 [7620] = +3% / -0% ALL OTHER DIMENSIONAL TOLERANCES: .X = ± .2 [5.08] .XX = ± .02 [51] .XXX = ± .005 [1.27]	APPROVALS	DATE	50 HIGH STREET NORTH ANDOVER, MA 01845	
	DRAWN BY D.CUI	07/04/17		CATEGORY
	CHECKED BY S.PAN	07/04/17		TELECOM/MODULAR
	APPROVED BY D.GUITADAURO	07/04/17		PRODUCT DESCRIPTION
PROJECTION 	CONFIGURATION DETAILS OF UNDIMENSIONED FEATURES MAY VARY	COLOR VARIATIONS MAY OCCUR	CPLR PNL MNT 6X4 STRAIGHT IVRY SIZE A FSCM NO. 43321 DWG. NO. ECF5044S-IV REV. A SCALE: NONE CAD FILE: ECF5044S-IV.SLDDRW SHEET 1 OF 1	

8 7 6 5 4 3 2 1