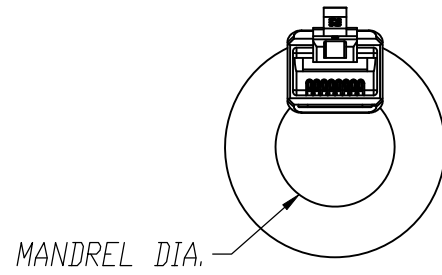
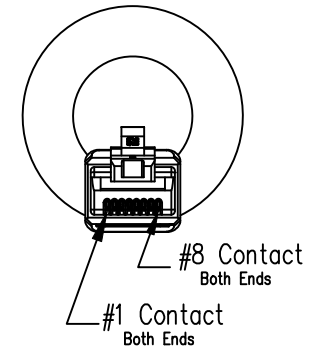
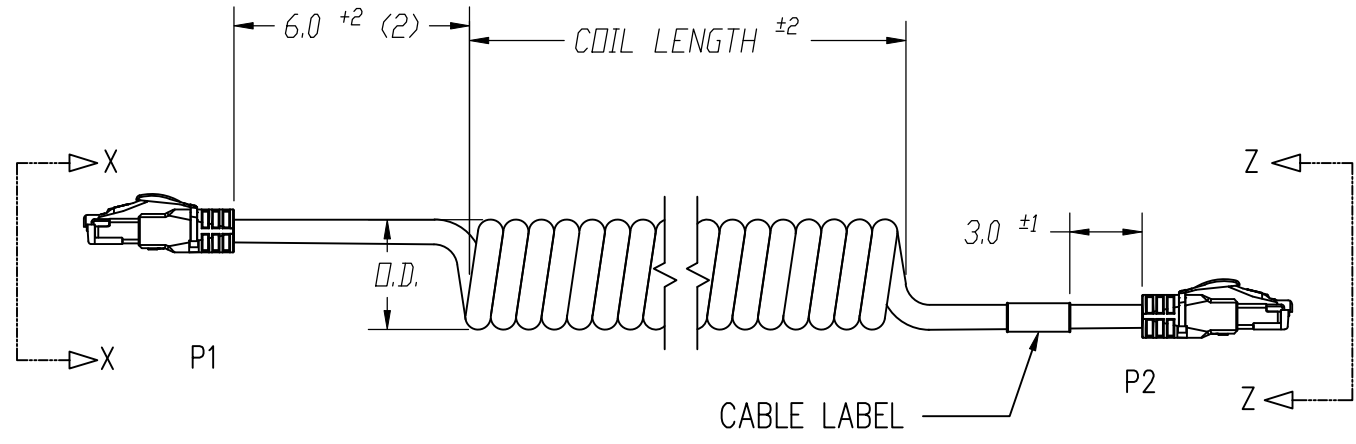


DATE	REV	ECN	APP'D. BY
11-01-21	A0	11881	ADB
12-13-22	A1	12082	GWL



VIEW X-X
SCALE 1:1



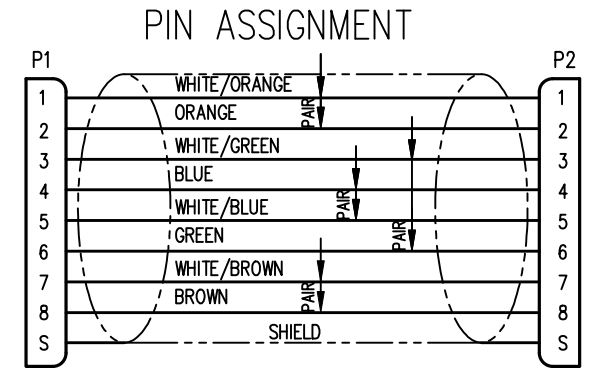
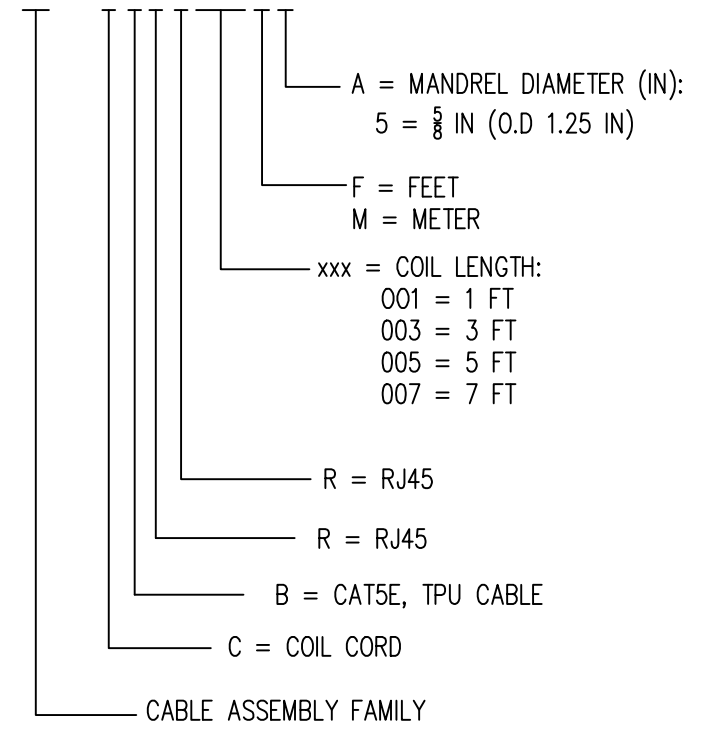
VIEW Z-Z
SCALE 1:1

NOTES:

- CAT5E RJ45 PLUG COMPONENTS:
 HOUSING: CLEAR POLYCARBONATE UL94 V-0
 CONTACTS/SHIELD: COPPER ALLOY
 CONTACT PLATING: CONTACT AREA: 50U" GOLD
 BOOT (OVERMOLD): PVC, BLACK
 CABLE CONSTRUCTION:
 CONDUCTOR: 26 AWG 7/34 STRANDED TINNED COPPER
 INSULATION: HIGH DENSITY POLYETHYLENE
 CABLE: (4) TWISTED PAIRS TWISTED TOGETHER AND WRAPPED WITH A FOAM POLYPROPYLENE TAPE TO FORM CABLE CORE
 SHIELD: 38 AWG TINNED COPPER BRAID OVER CABLE CORE. A SECOND SHIELD OF ALUMINIZED POLYESTER FOIL OVER BRAID
 JACKET: ZHFR POLYURETHANE, TEAL, .261 DIAMETER.
 NOMINAL PULL FORCE OF COIL**: $F(LBS) = (1.35 * X) - 1.00$
 $X = (EXPANDED LENGTH) / (CONTRACTED LENGTH)$
- ELECTRICAL TESTING:
 100% TRANSMISSION TESTED FOR CAT 5E CHANNEL PERFORMANCE, WIREMAP CONTINUITY, SHORTS, DWV AT 1000VDC PIN TO PIN, 1500VDC PIN TO SHIELD
- PACKAGING:
 ONE CABLE PER BAG

P/N STRUCTURE:

BM-CBRRxxxFA



568B STANDARD WIRING MAP

PART NUMBER	COIL LENGTH	MAX EXT LENGTH	≈ COIL O.D.
BM-CBRR001F5	1 FT [.3M]	6 FT [1.8M]	1.25 IN [31.75mm]
BM-CBRR003F5	3 FT [.9M]	18 FT [5.5M]	1.25 IN [31.75mm]
BM-CBRR005F5	5 FT [1.5M]	30 FT [9.1M]	1.25 IN [31.75mm]
BM-CBRR007F5	7 FT [2.1M]	42 FT [12.8M]	1.25 IN [31.75mm]

** USE FOR APPROXIMATION ONLY. VALIDATION BASED ON 1 FT LONG COIL BODY 1.25 O.D



THIRD ANGLE PROJECTION	<p>11118 Susquehanna Trail South Glen Rock, PA 17327-9199 (717) 235-7512 http://www.stewartconnector.com</p>
DO NOT SCALE DRAWING DRAWING IS SUBJECT TO CHANGE WITHOUT NOTICE	
DIMENSIONS: INCHES [METRIC]	TITLE: CAT5E RJ45 PLUG TO CAT5E RJ45 PLUG COIL CORD
UNLESS OTHERWISE SPECIFIED TOLERANCES ARE ±.008 [0.20] ANGLES ARE ± 1°	DRN BY: GWL DATE 09-15-21
SHEET NO. 1 OF 1	APPD BY: ADB DATE 11-01-21
	DWG NO. CT999267 REV. A1