

**1** **THREADED BODY**

Glass-fibre reinforced polyamide based (PA) SUPER-technopolymer.

**2** **PLUNGER**

Black-oxide hardened steel or AISI 303 stainless steel.  
Suggested tolerance H7 for matching hole.

**3** **LEVER**

Self-lubricating glass-fibre reinforced polyamide based (PA) technopolymer, black colour, matte finish.

**4** **SPRING**

AISI 302 stainless steel.

**5** **LOCKING NUT (NTT)**

Glass-fibre reinforced polyamide based (PA) SUPER-technopolymer. Available also as accessory sold separately (see table NTT).

**6** **STANDARD EXECUTIONS**

- **PMT.200-A:** black-oxide steel plunger, without locking nut.
- **PMT.200-AK:** black-oxide steel plunger, with locking nut (supplied not assembled).
- **PMT.200-SST-A:** AISI 303 stainless steel plunger, without locking nut, not magnetic.
- **PMT.200-SST-AK:** AISI 303 stainless steel plunger, with locking nut (supplied not assembled), not magnetic.

**7** **FEATURES AND APPLICATIONS**

- PMT.200 lever indexing plungers are used when the plunger must be retracted quickly.
- By rotating the lifting lever by 180°, the plunger stops in the retracted position in which the lever is kept by a notch.
- High Lightness and high mechanical resistance of the product.
- Anticorrosive material: suitable even in the presence of liquid or humidity (PMT.200-SST).
- The SUPER-technopolymer threaded body of the plunger offers a low friction factor to the plunger stroke; no lubricating maintenance is required.

**8** **ASSEMBLY INSTRUCTIONS**

Make sure that no machining residues are left on the threaded hole for the assembly of PMT.200 indexing plunger (see fig. 1). Do not make any chamfering in the hole (see fig. 2).

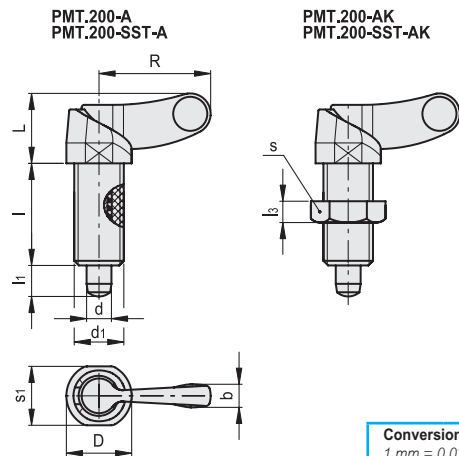
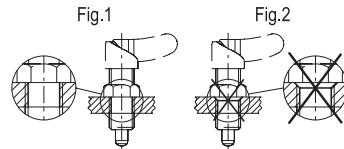
SUPER-technopolymer product based on ELESAs technology, dimensions according to GN 612 standards as agreed with Otto Gantner GmbH Co. KG. Lever: Elesa original design.

**9** **NTT**

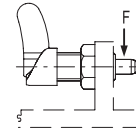
| Code   | Description |
|--------|-------------|
| 301083 | NTT-M10x1   |
| 301085 | NTT-M12x1,5 |
| 301087 | NTT-M16x1,5 |
| 301089 | NTT-M20x1,5 |



ELESAs Original design



| Conversion Table  |      |
|-------------------|------|
| 1 mm = 0.039 inch |      |
| d1                |      |
| mm                | inch |
| 4                 | 0.16 |
| 5                 | 0.20 |
| 6                 | 0.24 |
| 8                 | 0.31 |
| 10                | 0.39 |



PMT.200-A

METRIC

| Code  | Description          | d<br>Plunger<br>-0.15 -0.1<br>Hole H7 | d1      | L  | D    | R    | b   | l  | l1 | s1 | [N]* | [N]# | Maximum tightening<br>torque<br>[Nm] | Max. static load<br>F[N] | ⚖    |
|-------|----------------------|---------------------------------------|---------|----|------|------|-----|----|----|----|------|------|--------------------------------------|--------------------------|------|
| 51694 | PMT.200-4-M10x1-A    | 4                                     | M10x1   | 14 | 13   | 22   | 5   | 19 | 6  | 12 | 7    | 20   | 5                                    | 1500                     | 8    |
| 51695 | PMT.200-5-M10x1-A    | 5                                     | M10x1   | 14 | 13   | 22   | 5   | 19 | 6  | 12 | 7    | 20   | 5                                    | 1500                     | 8    |
| 51696 | PMT.200-5-M12x1,5-A  | 5                                     | M12x1.5 | 17 | 15.5 | 26.5 | 5.5 | 26 | 8  | 14 | 9    | 35   | 9                                    | 3000                     | 12.5 |
| 51702 | PMT.200-6-M12x1,5-A  | 6                                     | M12x1.5 | 17 | 15.5 | 26.5 | 5.5 | 26 | 8  | 14 | 9    | 35   | 9                                    | 3000                     | 13   |
| 51705 | PMT.200-6-M16x1,5-A  | 6                                     | M16x1.5 | 21 | 20.5 | 32.5 | 7   | 30 | 10 | 19 | 10   | 40   | 18                                   | 3000                     | 25   |
| 51711 | PMT.200-8-M16x1,5-A  | 8                                     | M16x1.5 | 21 | 20.5 | 32.5 | 7   | 30 | 10 | 19 | 10   | 40   | 18                                   | 3000                     | 26   |
| 51712 | PMT.200-8-M20x1,5-A  | 8                                     | M20x1.5 | 25 | 25.5 | 40   | 9   | 36 | 12 | 24 | 20   | 60   | 25                                   | 4500                     | 48   |
| 51716 | PMT.200-10-M20x1,5-A | 10                                    | M20x1.5 | 25 | 25.5 | 40   | 9   | 36 | 12 | 24 | 20   | 60   | 25                                   | 4500                     | 49   |

PMT.200-AK

| Code  | Description           | d<br>Plunger<br>-0.15 -0.1<br>Hole H7 | d1      | L  | D    | R    | b   | l  | l1 | l3 | s  | s1 | [N]* | [N]# | Maximum tightening<br>torque<br>[Nm] | Max. static load<br>F[N] | ⚖    |
|-------|-----------------------|---------------------------------------|---------|----|------|------|-----|----|----|----|----|----|------|------|--------------------------------------|--------------------------|------|
| 51718 | PMT.200-4-M10x1-AK    | 4                                     | M10x1   | 14 | 13   | 22   | 5   | 19 | 6  | 7  | 16 | 12 | 7    | 20   | 5                                    | 1500                     | 8.5  |
| 51719 | PMT.200-5-M10x1-AK    | 5                                     | M10x1   | 14 | 13   | 22   | 5   | 19 | 6  | 7  | 16 | 12 | 7    | 20   | 5                                    | 1500                     | 9.5  |
| 51720 | PMT.200-5-M12x1,5-AK  | 5                                     | M12x1.5 | 17 | 15.5 | 26.5 | 5.5 | 26 | 8  | 8  | 19 | 14 | 9    | 35   | 9                                    | 3000                     | 15.5 |
| 51722 | PMT.200-6-M12x1,5-AK  | 6                                     | M12x1.5 | 17 | 15.5 | 26.5 | 5.5 | 26 | 8  | 8  | 19 | 14 | 9    | 35   | 9                                    | 3000                     | 16   |
| 51724 | PMT.200-6-M16x1,5-AK  | 6                                     | M16x1.5 | 21 | 20.5 | 32.5 | 7   | 30 | 10 | 10 | 24 | 19 | 10   | 40   | 18                                   | 3000                     | 30   |
| 51731 | PMT.200-8-M16x1,5-AK  | 8                                     | M16x1.5 | 21 | 20.5 | 32.5 | 7   | 30 | 10 | 10 | 24 | 19 | 10   | 40   | 18                                   | 3000                     | 31   |
| 51732 | PMT.200-8-M20x1,5-AK  | 8                                     | M20x1.5 | 25 | 25.5 | 40   | 9   | 36 | 12 | 11 | 30 | 24 | 20   | 60   | 25                                   | 4500                     | 57   |
| 51736 | PMT.200-10-M20x1,5-AK | 10                                    | M20x1.5 | 25 | 25.5 | 40   | 9   | 36 | 12 | 11 | 30 | 24 | 20   | 60   | 25                                   | 4500                     | 58   |

PMT.200-SST-A

INOX STAINLESS STEEL

METRIC

| Code  | Description              | d<br>Plunger<br>-0.15 -0.1<br>Hole H7 | d1      | L  | D    | R    | b   | l  | l1 | s1 | [N]* | [N]# | Maximum tightening<br>torque<br>[Nm] | Max. static load<br>F[N] | ⚖  |
|-------|--------------------------|---------------------------------------|---------|----|------|------|-----|----|----|----|------|------|--------------------------------------|--------------------------|----|
| 51744 | PMT.200-SST-4-M10x1-A    | 4                                     | M10x1   | 14 | 13   | 22   | 5   | 19 | 6  | 12 | 7    | 20   | 5                                    | 1000                     | 20 |
| 51745 | PMT.200-SST-5-M10x1-A    | 5                                     | M10x1   | 14 | 13   | 22   | 5   | 19 | 6  | 12 | 7    | 20   | 5                                    | 1000                     | 20 |
| 51746 | PMT.200-SST-5-M12x1,5-A  | 5                                     | M12x1.5 | 17 | 15.5 | 26.5 | 5.5 | 26 | 8  | 14 | 9    | 35   | 9                                    | 2000                     | 22 |
| 51752 | PMT.200-SST-6-M12x1,5-A  | 6                                     | M12x1.5 | 17 | 15.5 | 26.5 | 5.5 | 26 | 8  | 14 | 9    | 35   | 9                                    | 2000                     | 22 |
| 51755 | PMT.200-SST-6-M16x1,5-A  | 6                                     | M16x1.5 | 21 | 20.5 | 32.5 | 7   | 30 | 10 | 19 | 10   | 40   | 18                                   | 2000                     | 26 |
| 51761 | PMT.200-SST-8-M16x1,5-A  | 8                                     | M16x1.5 | 21 | 20.5 | 32.5 | 7   | 30 | 10 | 19 | 10   | 40   | 18                                   | 2000                     | 26 |
| 51762 | PMT.200-SST-8-M20x1,5-A  | 8                                     | M20x1.5 | 25 | 25.5 | 40   | 9   | 36 | 12 | 24 | 20   | 60   | 25                                   | 4000                     | 31 |
| 51766 | PMT.200-SST-10-M20x1,5-A | 10                                    | M20x1.5 | 25 | 25.5 | 40   | 9   | 36 | 12 | 24 | 20   | 60   | 25                                   | 4000                     | 31 |

PMT.200-SST-AK

INOX STAINLESS STEEL

METRIC

| Code  | Description               | d<br>Plunger<br>-0.15 -0.1<br>Hole H7 | d1      | L  | D    | R    | b   | l  | l1 | l3 | s  | s1 | [N]* | [N]# | Maximum tightening<br>torque<br>[Nm] | Max. static load<br>F[N] | ⚖  |
|-------|---------------------------|---------------------------------------|---------|----|------|------|-----|----|----|----|----|----|------|------|--------------------------------------|--------------------------|----|
| 51768 | PMT.200-SST-4-M10x1-AK    | 4                                     | M10x1   | 14 | 13   | 22   | 5   | 19 | 6  | 7  | 16 | 12 | 7    | 20   | 5                                    | 1000                     | 20 |
| 51769 | PMT.200-SST-5-M10x1-AK    | 5                                     | M10x1   | 14 | 13   | 22   | 5   | 19 | 6  | 7  | 16 | 12 | 7    | 20   | 5                                    | 1000                     | 20 |
| 51770 | PMT.200-SST-5-M12x1,5-AK  | 5                                     | M12x1.5 | 17 | 15.5 | 26.5 | 5.5 | 26 | 8  | 8  | 19 | 14 | 9    | 35   | 9                                    | 2000                     | 22 |
| 51772 | PMT.200-SST-6-M12x1,5-AK  | 6                                     | M12x1.5 | 17 | 15.5 | 26.5 | 5.5 | 26 | 8  | 8  | 19 | 14 | 9    | 35   | 9                                    | 2000                     | 22 |
| 51774 | PMT.200-SST-6-M16x1,5-AK  | 6                                     | M16x1.5 | 21 | 20.5 | 32.5 | 7   | 30 | 10 | 10 | 24 | 19 | 10   | 40   | 18                                   | 2000                     | 26 |
| 51781 | PMT.200-SST-8-M16x1,5-AK  | 8                                     | M16x1.5 | 21 | 20.5 | 32.5 | 7   | 30 | 10 | 10 | 24 | 19 | 10   | 40   | 18                                   | 2000                     | 26 |
| 51782 | PMT.200-SST-8-M20x1,5-AK  | 8                                     | M20x1.5 | 25 | 25.5 | 40   | 9   | 36 | 12 | 11 | 30 | 24 | 20   | 60   | 25                                   | 4000                     | 31 |
| 51786 | PMT.200-SST-10-M20x1,5-AK | 10                                    | M20x1.5 | 25 | 25.5 | 40   | 9   | 36 | 12 | 11 | 30 | 24 | 20   | 60   | 25                                   | 4000                     | 31 |

\* Spring preload  
# Spring maximum load