

1 2 3 4 5 6

A

B

C

D

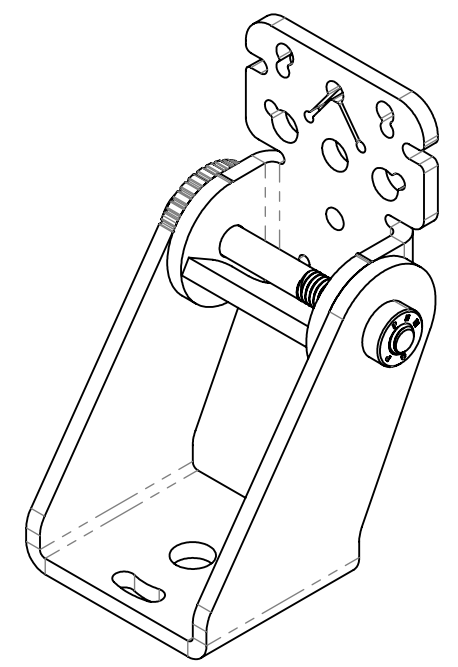
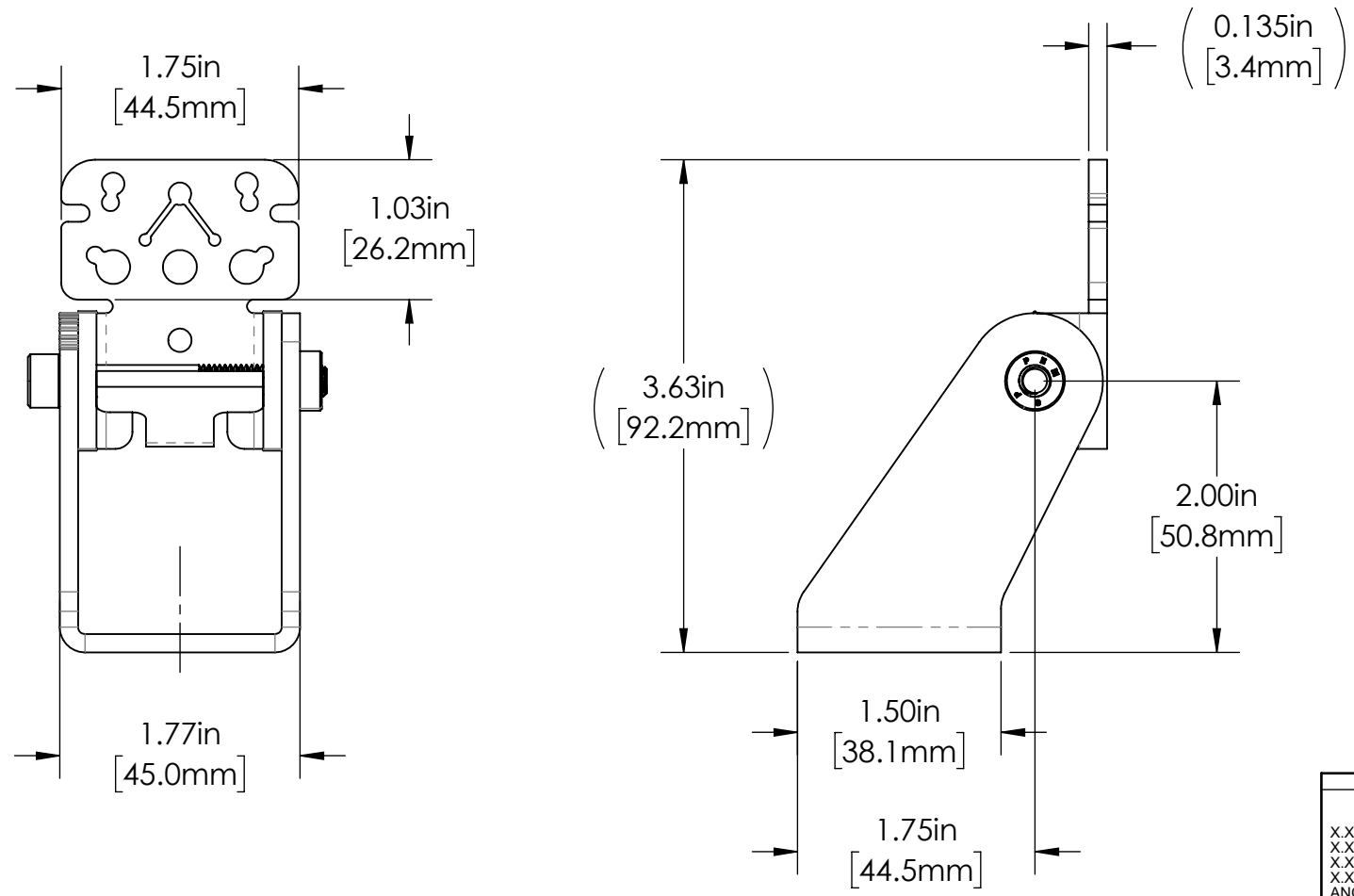
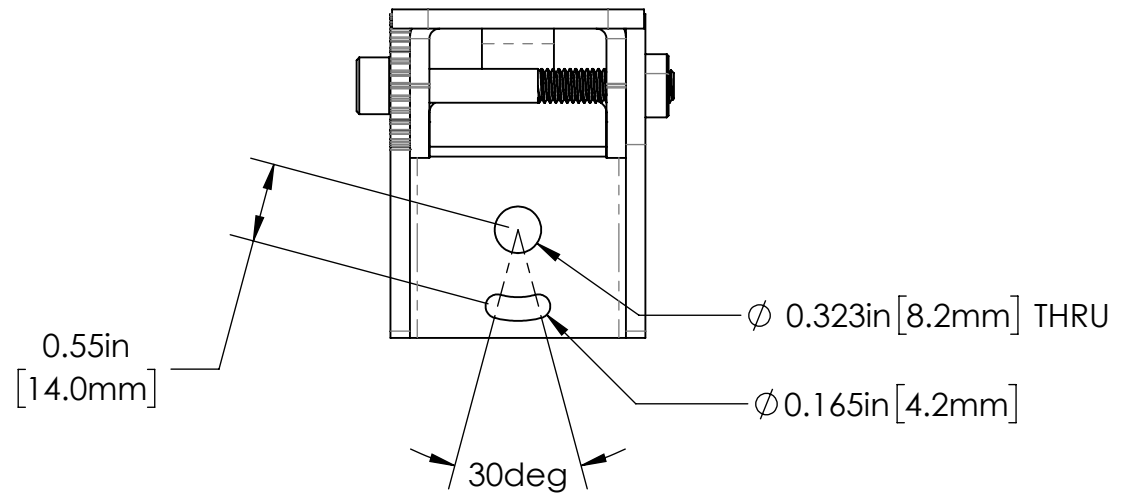
A

B

C

D

REVISIONS				
ZONE	REV.	DESCRIPTION	DATE	APPROVED
	A	PREVIOUSLY CALLED PTU-BE R1.1 RELEASED FOR PRODUCTION	6/6/2022	DMM



PTU SERIES PROPERTIES TABLE

COMPONENT	MATERIAL	FINISH
BASE/ADAPTER	304 STAINLESS STEEL	BURNISHED
HARDWARE	18-8 SS	NONE

TOLERANCES UNLESS OTHERWISE SPECIFIED

MACHINING		SHEET METAL	
X.X	0.0250"	HOLE TO HOLE (SAME SURFACE)	
X.XX	0.0100"	X.X	0.030"
X.XXX	0.0050"	X.XX	0.010"
X.XXXX	0.0005"	X.XXX	0.005"
ANGULAR	0.5°	HOLE TO FOLDED EDGE	
DEBURR ALL		X.X	0.035"
		X.XX	0.025"
		X.XXX	0.015"
		FOLD TO FOLD	
		X.X	0.045"
		X.XX	0.035"
		X.XXX	0.020"
		ANGULAR 1.0°	

THIS PRINT IS THE PROPERTY OF APG VISION LLC. THE INFORMATION CONTAINED HEREIN IS CONFIDENTIAL. IT IS NOT TRANSFERABLE. IT IS FURNISHED WITH THE CLEAR UNDERSTANDING THAT IT IS NOT TO BE TRACED, REPRODUCED OR USED IN ANY PROCESS OF MANUFACTURING WITHOUT WRITTEN PERMISSION FROM THE OWNER AND IS RETURNABLE UPON DEMAND. ANY INFRINGEMENT UPON THE PATENT RIGHTS SHOWN HEREIN, WHETHER IN PART OR WHOLE, WILL BE PROSECUTED.

AS PART OF OUR POLICY OF CONTINUING DEVELOPMENT, APG VISION LLC RESERVES THE RIGHT TO ALTER SPECIFICATIONS WITHOUT PRIOR NOTICE.

APG Vision LLC
4055 Alpha Drive
Allison Park, PA 15101 USA
Phone +1 (412) 487-8211
apgvision.com

apgvision

DESCRIPTION:
**PAN & TILT MOUNT ASSEMBLY
(CHECKER 200 & DATAMAN)**

MATERIAL: **SEE BOM**

FINISH: **SEE BOM**

DRAWN BY: TWD	DATE: 6/6/2022	SCALE: 3:4	SHT-SIZE: B	APPROX. WEIGHT (LBS): 0.5464
CHECKED BY: DMM	DATE: 6/6/2022	PART NUMBER: PTU-BE		REVISION: A

Sheet 1 of 1

1 2 3 4 5 6