

XCKM106H29

Limit switch, Limit switches XC Standard, XCKM, cats whisker, 1NC+1 NO, snap action, M20



Main

| | |
|-------------------------------|--|
| Range of Product | Telemecanique Limit switches XC Standard |
| Series name | Standard format |
| Product or Component Type | Limit switch |
| Device short name | XCKM |
| Body type | Fixed |
| Head type | Multi-directional head |
| Material | Metal |
| Body Material | Zamak |
| Fixing Mode | By the body |
| Movement of operating head | Multi-directional |
| Type of operator | Spring return cat's whisker |
| Type of approach | Multi-directional approach |
| Cable entry | 3 entries tapped for M20 x 1.5 cable gland 0.28... 0.51 in (7...13 mm) |
| Number of poles | 2 |
| Contacts type and composition | 1 NC + 1 NO |
| Contact operation | Snap action |

Complementary

| | |
|--|--|
| Switch actuation | By any moving part |
| Electrical connection | Screw-clamp terminals 1 x 0.34...2 x 1.5 mm ² |
| Contacts insulation form | Zb |
| Number of steps | 1 |
| Positive opening | Without |
| Minimum torque for tripping | 1.15 lbf.in (0.13 N.m) |
| Minimum actuation speed | 0.01 m/min |
| Maximum actuation speed | 3.28 ft/s (1 m/s) |
| Contact code designation | A300, AC-15 (U _e = 240 V), I _e = 3 A EN/IEC 60947-5-1 appendix A Q300, DC-13 (U _e = 250 V), I _e = 0.27 A EN/IEC 60947-5-1 appendix A |
| [I _{th}] conventional enclosed thermal current | 10 A AC |
| [U _i] rated insulation voltage | 300 VUL 508 500 V 3)IEC 60947-1 300 VCSA C22.2 No 14 |
| Maximum resistance across terminals | 25 MOhm IEC 60255-7 category 3 |
| [U _{imp}] rated impulse withstand voltage | 6 kV IEC 60664 6 kV IEC 60947-1 |
| Short-circuit protection | 10 A cartridge fuse gG |
| Electrical durability | 5000000 Cycles, DC-13, inductive, 120 V, 4 W 60 cyc/mn 0.5 IEC 60947-5-1 appendix C 5000000 Cycles, DC-13, inductive, 24 V, 7 W 60 cyc/mn 0.5 IEC 60947-5-1 appendix C 5000000 cycles, DC-13, inductive, 48 V, 10 W 60 cyc/mn 0.5 IEC 60947-5-1 appendix C |
| Mechanical durability | 10000000 cycles |
| Width | 2.52 in (64 mm) |
| Height | 2.52 in (64 mm) |

| | |
|-------------------------------|------------------------|
| Depth | 1.18 in (30 mm) |
| Net Weight | 0.55 lb(US) (0.25 kg) |
| Terminals description ISO n°1 | (21-22)NC (13-14)NO |

Environment

| | |
|---------------------------------------|---|
| Shock resistance | 50 gn 11 ms EN/IEC 60068-2-27 |
| Vibration resistance | 25 gn 10...500 Hz)EN/IEC 60068-2-6 |
| IP degree of protection | IP66 conforming to EN/IEC 60529 |
| IK degree of protection | IK05 EN 50102 |
| Electrical shock protection class | Class I IEC 61140 Class I NF C 20-030 |
| Ambient air temperature for operation | -13...158 °F (-25...70 °C) |
| Ambient Air Temperature for Storage | -40...158 °F (-40...70 °C) |
| Protective treatment | TC |
| Product Certifications | CCC UL CSA |
| Standards | EN 60947-5-1 IEC 60204-1 EN 60204-1 CSA C22.2 No 14 UL 508 IEC 60947-5-1 |

Ordering and shipping details

| | |
|-----------------------|---------------------------------|
| Category | 22416 - LIMIT SWITCHES,IEC,XCKL |
| Discount Schedule | T |
| GTIN | 3389110612240 |
| Nbr. of units in pkg. | 1 |
| Package weight(Lbs) | 9.45 oz (268 g) |
| Returnability | Yes |
| Country of origin | ID |

Packing Units

| | |
|------------------------------|-------------------------|
| Unit Type of Package 1 | PCE |
| Package 1 Height | 1.26 in (3.2 cm) |
| Package 1 width | 2.56 in (6.5 cm) |
| Package 1 Length | 8.70 in (22.1 cm) |
| Unit Type of Package 2 | S02 |
| Number of Units in Package 2 | 18 |
| Package 2 Weight | 12.01 lb(US) (5.447 kg) |
| Package 2 Height | 5.91 in (15 cm) |
| Package 2 width | 11.81 in (30 cm) |
| Package 2 Length | 15.75 in (40 cm) |

Offer Sustainability

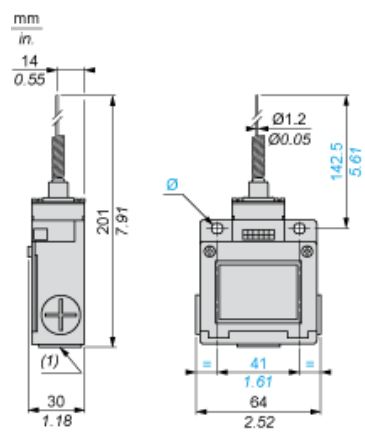
| | |
|---------------------------|---|
| Sustainable offer status | Green Premium product |
| California proposition 65 | WARNING: This product can expose you to chemicals including: Diisononyl phthalate (DINP), which is known to the State of California to cause cancer, and Di-isodecyl phthalate (DIDP), which is known to the State of California to cause birth defects or other reproductive harm. For more information go to www.P65Warnings.ca.gov |
| REACH Regulation | REACH Declaration |
| EU RoHS Directive | Pro-active compliance (Product out of EU RoHS legal scope) EU RoHS Declaration |
| Mercury free | Yes |

| | |
|----------------------------|---|
| RoHS exemption information |  Yes |
| Environmental Disclosure |  Product Environmental Profile |

Contractual warranty

| | |
|----------|-----------|
| Warranty | 18 months |
|----------|-----------|

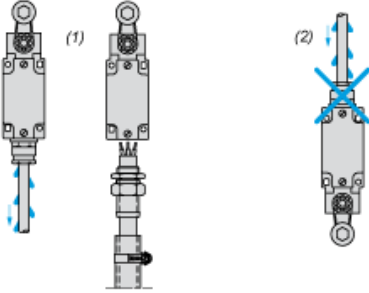
Dimensions



- (1) 3 tapped entries M20 x 1.5
- \varnothing : 2 elongated holes $\varnothing 5.2 \times 6.2$

Mounting with Cable Entry

Position of Cable Gland



- (1) Recommended
- (2) To be avoided

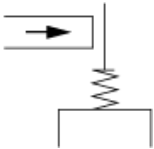
Wiring Diagram

2-pole NC + NO Snap Action

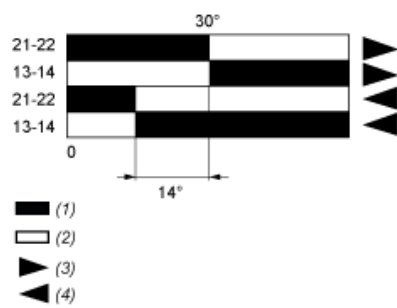


Characteristics of Actuation

Switch Actuation by Any Moving Part



Functionnal Diagram



- (1) Closed
- (2) Open
- (3) Tripping
- (4) Resetting