

Key Features & Benefits:

- Field Selectable Kelvin
- 120 VAC Triac Dimmable
- Easy Installation
- Multiple Color Trim Ring Accessories
- E26 Adapter with 11" Quick Connect Cable
- Wet Location Rated
- Energy Star Listed
- T24 Listed

Project: _____

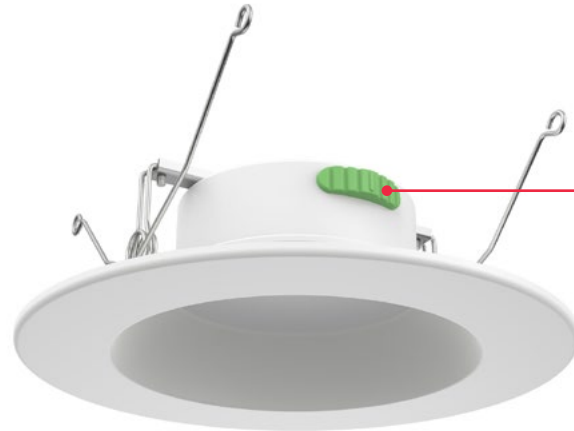
Date: _____

Catalog #: _____

Notes: _____

Product Specifications:

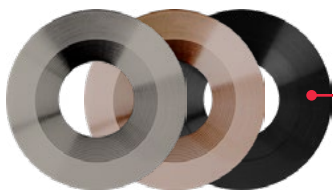
Power: 15 Watts
 Selectable Kelvin:
 2700K–3000K–3500K–4000K–5000K
 Lumens: Up to 1,200 Lumens
 Efficacy: Up to 80 lm/W
 CRI: 90+
 Input Voltage: 120 VAC
 Power Factor: >0.9
 Input Frequency: 60Hz
 Operating Temperature: -4°F to 104°F (-20°C to 40°C)
 Operational Lifetime: 50,000 Hrs
 Dimming: Triac Dimmable 10–100%
 Dimensions: Ø7.36" x 2.19"
 Weight (lbs): Baffled 0.46 lbs, Smooth 0.38 lbs



Kelvin Selectable Switch

Baffled and Smooth Options

Field Installable Trim Rings Available:
 Black, Bronze, Brushed Nickel
 Sold Separately



Ordering Guide:

ESL	TYPE	TRIM	SIZE	SELECTABLE WATTAGE	GENERATION	SELECTABLE KELVIN	COLOR
ESL	RTL <small>(RTL) Residential Trim Light</small>	t <small>(B) Baffled (S) Smooth</small>	6 <small>(6) Round 6"</small>	15W <small>(15W) 15 Watts</small>	1 <small>(1) 1st Generation</small>	2750 <small>(2750) 2700K–3000K–3500K–4000K–5000K</small>	WH <small>(WH) White</small>

FIELD INSTALLED ACCESSORIES

ESL-RTLS-4-Tff	Trim ring for residential trim light, smooth design 4 inch
ESL-RTLB-4-Tff	Trim ring for residential trim light, baffled design 4 inch
ESL-RTLS-6-Tff	Trim ring for residential trim light, smooth design 6 inch
ESL-RTLB-6-Tff	Trim ring for residential trim light, baffled design 6 inch
ESL-ACCS-RTL-6-FC	Friction clip mount accessory for RTL 6 inch

ff = Trim Color: Black (BK), Bronze (BZ), Brushed Nickel (BN)

Catalog Data:

ITEM#	WATTAGE	SELECTABLE KELVIN	MAX LUMEN OUTPUT	MAX EFFICACY (lm/w)	INPUT VOLTAGE	TRIM STYLE	CASE QTY
4" ROUND							
ESL-RTLB-4-10W-12750-WH	10W	2700K–3000K–3500K–4000K–5000K	780	78	120 VAC	BAFFLED	36
ESL-RTLS-4-10W-12750-WH			780	78	120 VAC	SMOOTH	36
6" ROUND							
ESL-RTLB-6-15W-12750-WH	15W	2700K–3000K–3500K–4000K–5000K	1,200	80	120 VAC	BAFFLED	36
ESL-RTLS-6-15W-12750-WH			1,200	80	120 VAC	SMOOTH	36
6" ROUND CONTRACTOR PACK—6 PER CASE, NO INDIVIDUAL PACKAGING							
ESL-RTLB-6-15W-12750-WH-PK6	15W	2700K–3000K–3500K–4000K–5000K	1,200	80	120 VAC	BAFFLED	6 (36 total)
ESL-RTLS-6-15W-12750-WH-PK6			1,200	80	120 VAC	SMOOTH	6 (36 total)

Electrical Load — Standard Voltage:

SYSTEM WATTS	INPUT CURRENT 120 VAC	INPUT VOLTAGE	INPUT FREQUENCY	CRI	POWER FACTOR	THD	OPERATING TEMPERATURE	DIMMING
10	0.08A	120 VAC	60 Hz	90+	>0.9	<10%	-4°F to 104°F (-20°C to 40°C)	Triac Dimming 10–100%
15	0.13A	120 VAC	60 Hz	90+	>0.9	<10%	-4°F to 104°F (-20°C to 40°C)	Triac Dimming 10–100%

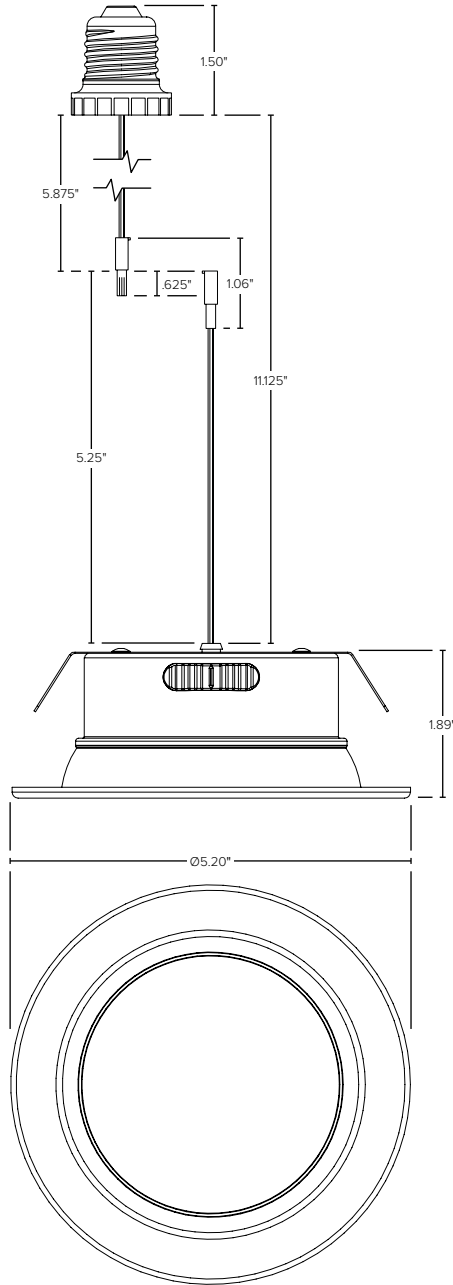
Residential Trim Compatible Dimmers:

RTL COMPATIBLE DIMMERS*

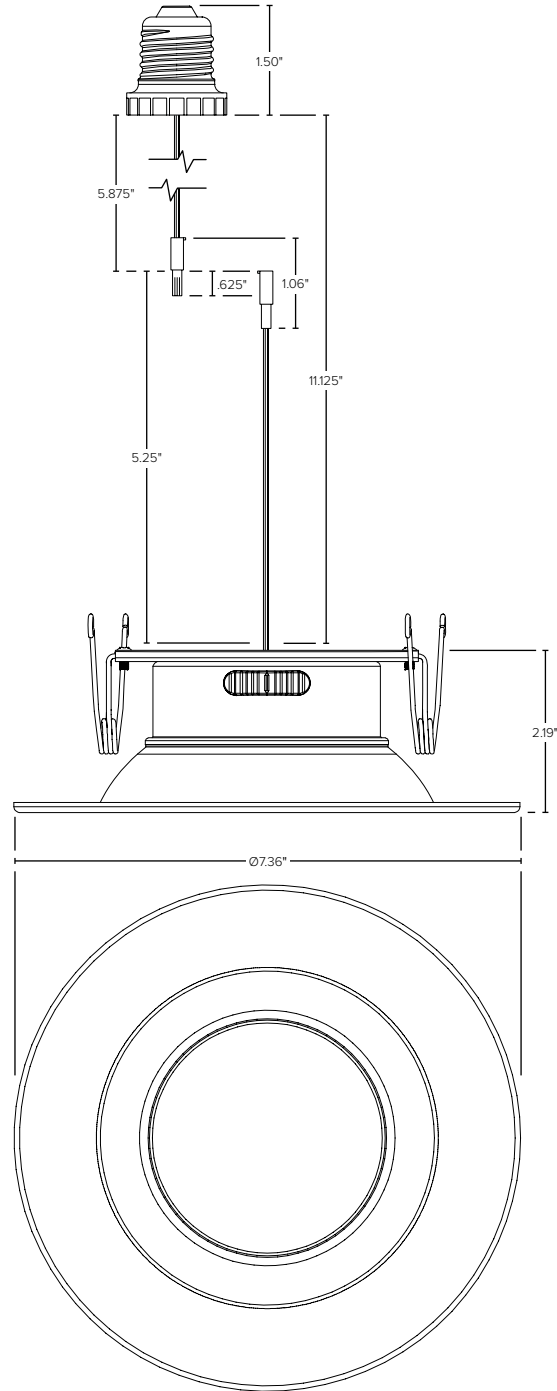
Lutron MACL-153MR-WH
Lutron SCL-153P
Lutron TG-600PH-LA
Lutron DVCL-153P
Lutron MACL-153ME
Lutron DV-600P
Leviton CL-6674
Leviton CL-6683
Leviton IPLO6
Leviton CL-6672
Leviton 153M-ES

Dimensions:

4" Fixture

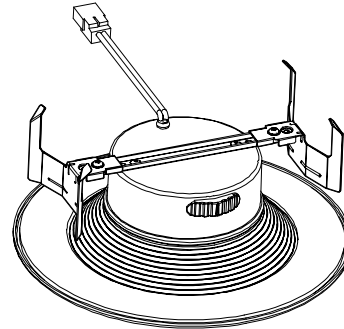
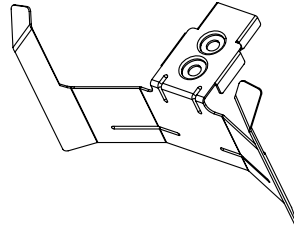
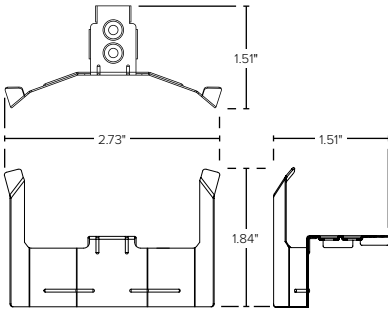


6" Fixture

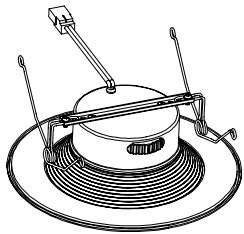


Accessories:

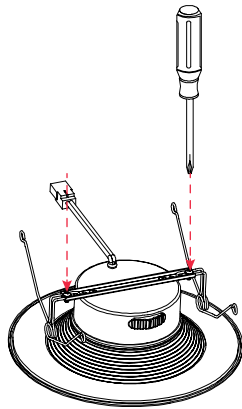
6" Accessories
Friction Clip



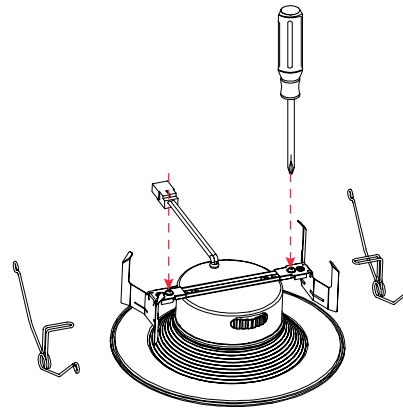
Friction Clip Installation



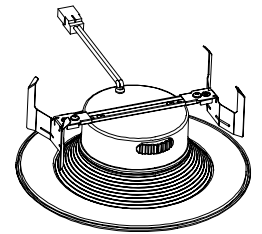
1 Retrofit 6 inch with V-spring.



2 Use a screwdriver to unscrew the V-springs on each side.



3 Install the friction clips on each side and set to fit the can size.



4 Installation complete. Squeeze the friction clips to install.