

ALR

TE Internal #: 304514-000

ANSI Street Lighting Photocells, Worldwide, Thermal, 105 – 305

VAC, Commercial / Industrial, 1800 VA Load Rating (Ballast),

Locking

[View on TE.com >](#)

Connectors > Lighting Connectors > Street Lighting Controls > Street Lighting Photocells



Product Availability: **Worldwide**

Street Lighting Photo Control Technology: **Thermal**

Operating Voltage Range: **105 – 305 VAC**

Grade: **Commercial, Industrial**

Load Rating (Ballast): **1800 VA**

**Features**

**Product Type Features**

Light Sensor	CdS Photocell
Street Lighting Photo Control Technology	Thermal

**Electrical Characteristics**

Operating Voltage Range	105 – 305 VAC
Load Rating (Ballast)	1800 VA
Load Rating (Tungsten)	1000 W
Fail Mode	On
Surge Protection	180 Joule
Operating Frequency	50 – 60 Hz

**Body Features**

Compatible With Lamp Type	LED
Primary Product Color	Blue

**Mechanical Attachment**

Mounting Options	Locking
------------------	---------



### Housing Features

Housing Material	High Impact Noryl with UV-Stabilized Acrylic Window
------------------	---

### Dimensions

Product Diameter	74 mm[2.93 in]
Product Height	50 mm[1.96 in]

### Usage Conditions

Operating Temperature Range	-40 – 65 °C[-40 – 149 °F]
-----------------------------	---------------------------

### Operation/Application

Turn OFF Time Delay	30 – 45 seconds
Turn ON Light Level	1.5 fc
Turn ON Time Delay	30 – 45 seconds

### Industry Standards

Compatible With Agency/Standards Products	CSA, UL
Compatible With Approved Standards Products	ANSI C136.10

### Product Availability

Product Availability	Worldwide
----------------------	-----------

### Packaging Features

Packaging Quantity	6
Packaging Method	Box

### Other

Warranty	3 Years
Grade	Commercial, Industrial
OFF/ON Ratio	5:1

### Product Compliance

[For compliance documentation, visit the product page on TE.com>](#)

EU RoHS Directive 2011/65/EU	Compliant with Exemptions
EU ELV Directive 2000/53/EC	Not Compliant
China RoHS 2 Directive MIIT Order No 32, 2016	Restricted Materials Above Threshold
EU REACH Regulation (EC) No. 1907/2006	Current ECHA Candidate List: JAN 2024 (240)



Candidate List Declared Against: JAN 2024  
(240)

SVHC > Threshold:

Cd (2.1% in Component Part)

**Article Safe Usage Statements:**

Use personal protective equipment as required. Do not eat, drink or smoke when using this product. Recycle if possible and dispose of the article by following all applicable governmental regulations relevant to your geographic location.

Halogen Content  
Low Halogen - Br, Cl, F, I < 900 ppm per homogenous material. Also BFR/CFR/PVC Free

Solder Process Capability  
Not applicable for solder process capability

**Product Compliance Disclaimer**

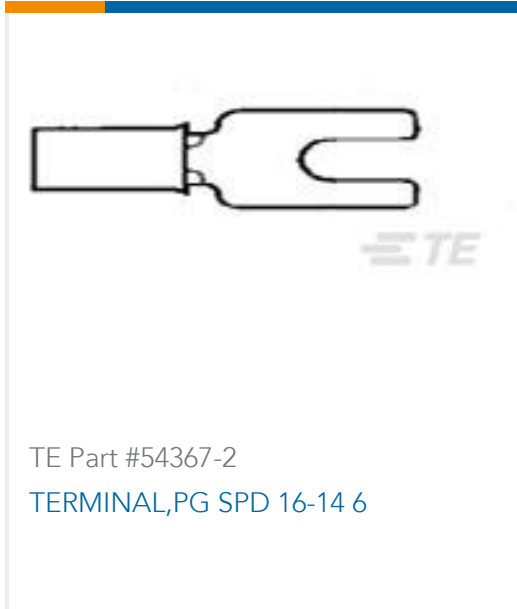
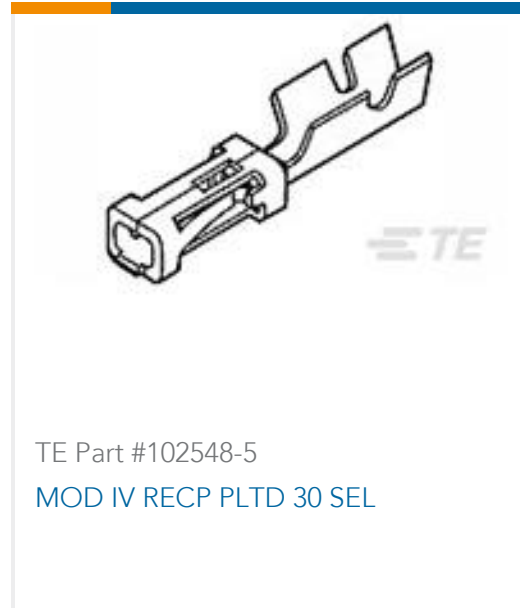
This information is provided based on reasonable inquiry of our suppliers and represents our current actual knowledge based on the information they provided. This information is subject to change. The part numbers that TE has identified as EU RoHS compliant have a maximum concentration of 0.1% by weight in homogenous materials for lead, hexavalent chromium, mercury, PBB, PBDE, DBP, BBP, DEHP, DIBP, and 0.01% for cadmium, or qualify for an exemption to these limits as defined in the Annexes of Directive 2011/65/EU (RoHS2). Finished electrical and electronic equipment products will be CE marked as required by Directive 2011/65/EU. Components may not be CE marked. Additionally, the part numbers that TE has identified as EU ELV compliant have a maximum concentration of 0.1% by weight in homogenous materials for lead, hexavalent chromium, and mercury, and 0.01% for cadmium, or qualify for an exemption to these limits as defined in the Annexes of Directive 2000/53/EC (ELV). Regarding the REACH Regulation, the information TE provides on SVHC in articles for this part number is based on the latest European Chemicals Agency (ECHA) 'Guidance on requirements for substances in articles' posted at this URL: <https://echa.europa.eu/guidance-documents/guidance-on-reach>

### Compatible Parts



### Customers Also Bought





## Documents

### CAD Files

3D PDF

3D

Customer View Model

[ENG\\_CVM\\_CVM\\_304514-000\\_O.2d\\_dxf.zip](#)

English

Customer View Model

[ENG\\_CVM\\_CVM\\_304514-000\\_O.3d\\_igs.zip](#)

English

Customer View Model

[ENG\\_CVM\\_CVM\\_304514-000\\_O.3d\\_stp.zip](#)

English

By downloading the CAD file I accept and agree to the [Terms and Conditions](#) of use.

### Datasheets & Catalog Pages

[M SERIES PHOTOCNTROL](#)

English