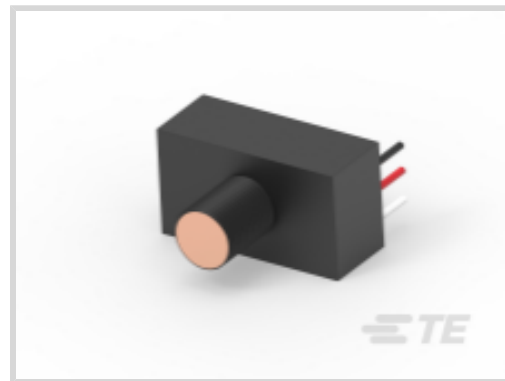




Connectors > Lighting Connectors > Street Lighting Controls > Street Lighting Photocells



Lead Length: 152.4 mm [6 in]

Product Availability: Americas, Asia, Australia & New Zealand, EMEA

Street Lighting Photo Control Technology: Thermal

Operating Voltage Range: 105 – 130 VAC

Grade: Commercial, Industrial

Features

Product Type Features

Light Sensor	CdS Photocell
Street Lighting Photo Control Technology	Thermal

Electrical Characteristics

Operating Voltage Range	105 – 130 VAC
Load Rating (Ballast)	1100 VA
Load Rating (Tungsten)	1800 W
Fail Mode	On

Body Features

Compatible With Lamp Type	LED
Lead Length	152.4 mm[6 in]
Primary Product Color	Black

Mechanical Attachment

Mounting Options	Internal
------------------	----------

Housing Features

Housing Material	Polycarbonate
------------------	---------------

Dimensions

Wire Size	18 AWG
-----------	--------



Product Diameter	51.94 mm[2.04 in]
------------------	-------------------

Product Height	41.21 mm[1.62 in]
----------------	-------------------

Usage Conditions

Operating Temperature Range	-40 – 65 °C[-40 – 149 °F]
-----------------------------	---------------------------

Operation/Application

Turn ON Light Level	1.5 fc
---------------------	--------

Turn ON Time Delay	30 – 45 seconds
--------------------	-----------------

Industry Standards

Compatible With Agency/Standards Products	CSA, UL
---	---------

Compatible With Approved Standards Products	ANSI C136.24
---	--------------

Product Availability

Product Availability	Americas, Asia, Australia & New Zealand, EMEA
----------------------	--

Packaging Features

Packaging Method	Box
------------------	-----

Other

Warranty	6 Years
----------	---------

Grade	Commercial, Industrial
-------	------------------------

OFF/ON Ratio	4:1
--------------	-----

Product Compliance

[For compliance documentation, visit the product page on TE.com>](#)

EU RoHS Directive 2011/65/EU	Compliant
------------------------------	-----------

EU ELV Directive 2000/53/EC	Compliant
-----------------------------	-----------

China RoHS 2 Directive MIIT Order No 32, 2016	No Restricted Materials Above Threshold
---	---

EU REACH Regulation (EC) No. 1907/2006	Current ECHA Candidate List: JAN 2024 (240) Candidate List Declared Against: JAN 2024 (240) SVHC > Threshold: Cd (2.1% in Component Part) Article Safe Usage Statements: Use personal protective equipment as required. Do not eat, drink or smoke when using this product. Recycle if possible and dispose of the article by following all applicable governmental regulations relevant to your geographic location.
--	---

Halogen Content	Low Halogen - Br, Cl, F, I < 900 ppm per homogenous material. Also BFR/CFR/PVC Free
-----------------	---

Solder Process Capability

Not applicable for solder process capability

Product Compliance Disclaimer

This information is provided based on reasonable inquiry of our suppliers and represents our current actual knowledge based on the information they provided. This information is subject to change. The part numbers that TE has identified as EU RoHS compliant have a maximum concentration of 0.1% by weight in homogenous materials for lead, hexavalent chromium, mercury, PBB, PBDE, DBP, BBP, DEHP, DIBP, and 0.01% for cadmium, or qualify for an exemption to these limits as defined in the Annexes of Directive 2011/65/EU (RoHS2). Finished electrical and electronic equipment products will be CE marked as required by Directive 2011/65/EU. Components may not be CE marked. Additionally, the part numbers that TE has identified as EU ELV compliant have a maximum concentration of 0.1% by weight in homogenous materials for lead, hexavalent chromium, and mercury, and 0.01% for cadmium, or qualify for an exemption to these limits as defined in the Annexes of Directive 2000/53/EC (ELV). Regarding the REACH Regulation, the information TE provides on SVHC in articles for this part number is based on the latest European Chemicals Agency (ECHA) 'Guidance on requirements for substances in articles' posted at this URL: <https://echa.europa.eu/guidance-documents/guidance-on-reach>

Compatible Parts



TE Part # 2213362-4
RCPT ASSY,DIMMABLE
PHOTOCONTROL,105C,3/4



TE Part # 2213627-4
ASSEMBLY, ROT DIM REC 49.22MM 7
POS 105C



TE Part # 2-2332966-4
RECEPTACLE, TOOL-LESS
ROTATABLE DIMMING



TE Part # CAT-ST833-L97
Receptacle Assembly



TE Part # BB3399-000
ALR-8090-VFS



TE Part # 4Z9454-000
ALR-7090-VFS



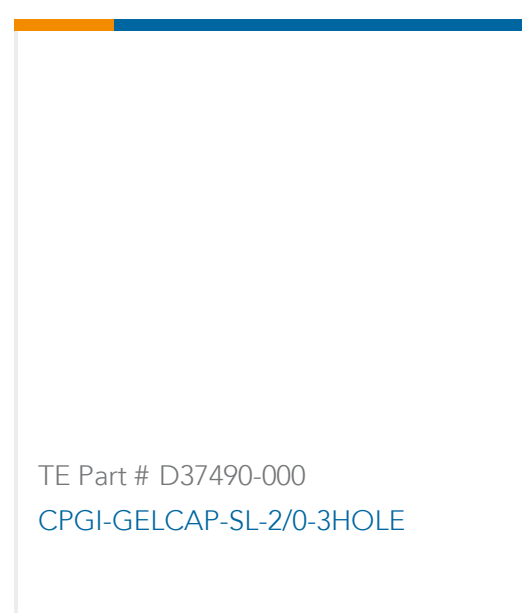
TE Part # L2134Z-000
ALR-7090-VPS



TE Part # 2328118-1
LUMAWISE ENDURANCE N
SHORTING CAP



TE Part # 2361116-1
LUMAWISE Endurance N+ Shorting
Cap



TE Part # D37490-000
CPGI-GELCAP-SL-2/0-3HOLE

Also in the Series | **ALR AA**



Street Lighting Photocells(9)

Customers Also Bought

TE Part #2834006-2
Poke-In Connector, BUCHANAN
WireMateTE Part #2-644486-3
03P MTA100 SHRDED HDR ASSY SNTE Part #4-1393211-6
T92P11A22-277TE Part #K1161759
Emergency Stop Switch ES-2002-T312-
020BTE Part #63012-2
250 FASTON FLAG REC 18-14 AWG
TPBRTE Part #2324697-5
PUSH GRIP CONNECTOR 5PTE Part #Y12345-000
ALR-SC-10ATE Part #3-2325811-1
LUMAWISE Z45 LED HOLDER 20X24TE Part #2362252-2
COMPACT PUSH GRIP SOL, TIN
BONDED, 2 POS

Documents

CAD Files

3D PDF

3D

Customer View Model

[ENG_CVM_CVM_499268-000_A.2d_dxf.zip](#)

English

Customer View Model

[ENG_CVM_CVM_499268-000_A.3d_igs.zip](#)



English

Customer View Model

[ENG_CVM_CVM_499268-000_A.3d_stp.zip](#)

English

By downloading the CAD file I accept and agree to the [Terms and Conditions](#) of use.

Datasheets & Catalog Pages

[AA-SERIES-PHOTOCONTROLS-STREET-LIGHTING](#)

English