

Lighting Controls

| | |
|------------|-----------|
| DATE: | LOCATION: |
| TYPE: | PROJECT: |
| CATALOG #: | |

MPS AUXILIARY PACK

POWER PACKS AND RELAYS

FEATURES

- Self-contained relay
- MPSA uses electrically held normally open relay
- MPSHD uses robust latching relay provides unsurpassed and unrestricted performance
- 100-277VAC, 50/60Hz
- Regulated 24 VDC current; 100 mA output
- Manual ON available in MPSHD model
- Power indicator light in MPSHD model
- Zero Arc Point Switching



SPECIFICATIONS

CONSTRUCTION

- MPSA: 3.69" H x 2.33" W x 1.36" D (93.73mm H x 59.18mm W x 34.54mm D)
- MPSHD: 4.0" H x 3.4" W x 1.73" D (101.6mm H x 86.36mm W x 43.94mm D)
- Flame retardant UL 94-5VA
- 15 oz. (425.24 g)
- Black

INSTALLATION

- Complies with requirements for use in a plenum area
- Plenum rated for external junction box mounting
- Easily mounts inside or outside a junction box; inside a fixture

ELECTRICAL

- MPSA
 - 15A@120VAC Incandescent (Tungsten)
 - 20A@120/277VAC Ballast (Fluorescent)

- MPSA (Continued)
 - 15A@347VAC Ballast (Fluorescent)
- MPSHD
 - 20A@100-277VAC
 - 1HP: 120VAC
 - 2HP: 240/277VAC

OPERATION

- Indoor use only
- MPSA
 - Operating temperature: 32°F to 104°F (0° to 40°C)
 - Relative humidity (non-condensing): 0% to 95%

OPERATION CONTINUED

- MPSHD
 - Operating temperature: -40°F to 149°F (-40°C to 65°C)

- MPSHD (Continued)

- Below 32°F (0°C) must use suitably rated non-metallic enclosure
- Relative humidity (non-condensing): 0% to 95%

CERTIFICATIONS

- UL and cUL listed

WARRANTY

- 5 year warranty

ORDERING GUIDE

Example: MPSA

CATALOG #

Model

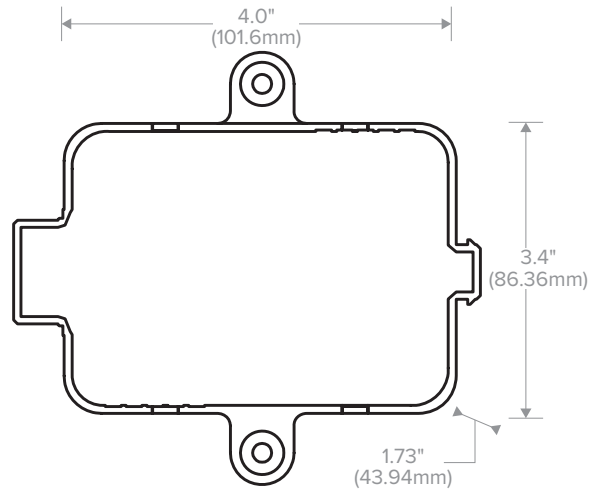
- | | |
|-------|--|
| MPSA | Auxiliary Relay Device |
| MPSHD | Auxiliary Relay Device, Automatic or Manual ON/OFF Control |

Lighting Controls

MPS AUXILIARY PACK

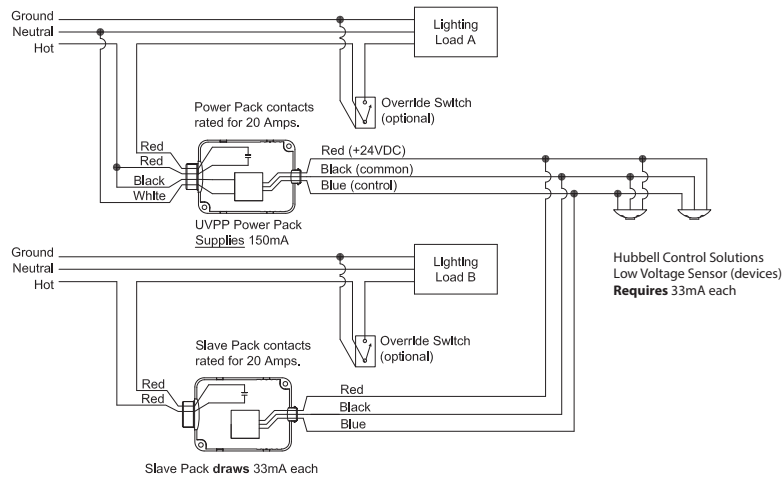
POWER PACKS AND RELAYS

DIMENSIONS

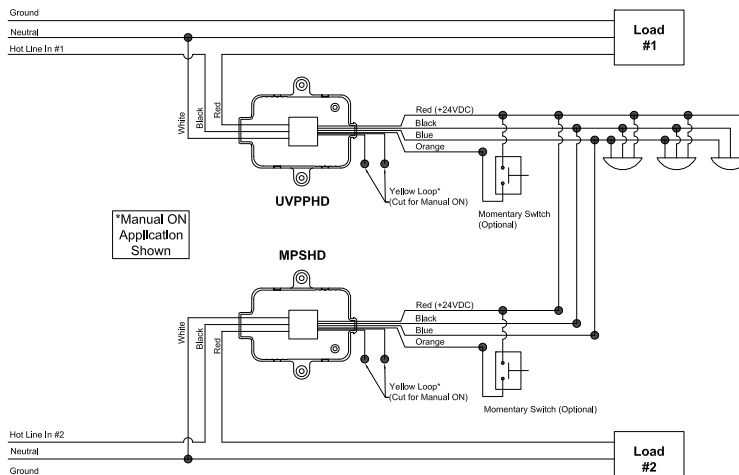


ADDITIONAL INFORMATION

Wiring Diagrams



MPSA



MPSHD