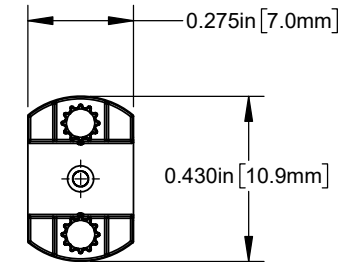
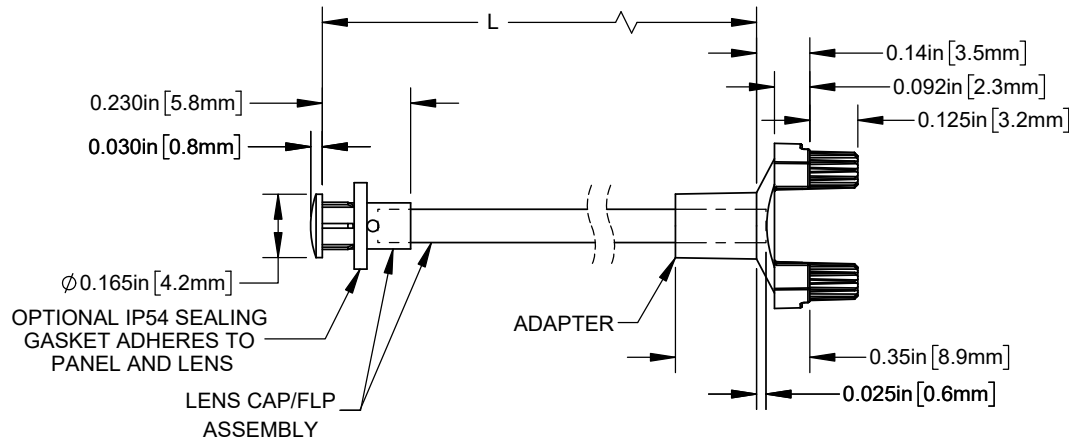


NOTES:

1. ALLOWABLE FLEXIBLE LIGHT PIPE CUT LENGTH AVAILABLE IN INCREMENTS OF 0.05".
2. MINIMUM BEND RADIUS OF FLEXIBLE LIGHT PIPE: 0.87" [22mm].
3. COMPONENTS SHIPPED NON-ASSEMBLED.
4. SEE SHEET 2 FOR DETAILED ASSEMBLY INSTRUCTIONS TO ACHIEVE OPTIMUM FUNCTION OF SEALING GASKET.

REVISIONS			
REV.	DESCRIPTION	DATE	APPROVED
A	Engineering Release	08/26/2019	A.V.
B	ECO-1241: Updated Recommended Mounting Holes	3/22/2024	A.V.



PART NUMBER CONFIGURATOR

SEE SHEET 2 FOR ORDERING INFORMATION

SF1-X.XX-F4PX-X

LENGTH (L)
(SEE TABLE 1)

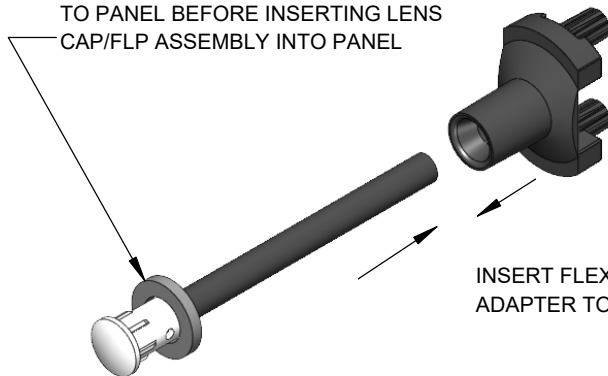
CABLE COLOR
(SEE TABLE 3)

LENS COLOR
(SEE TABLE 2)

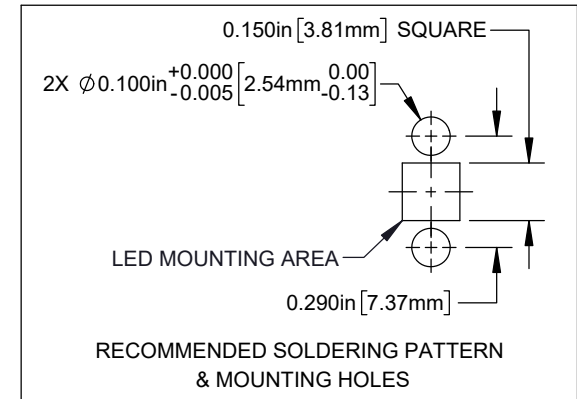
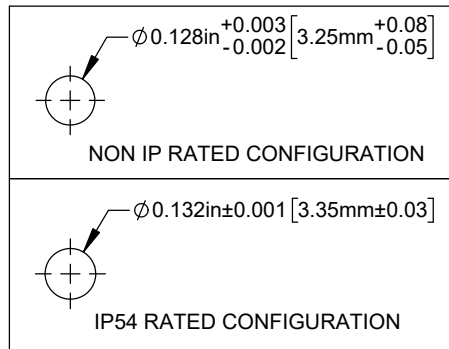
IP RATING

IP OPTION	CODE
NONE	(BLANK)
IP54	54

OPTIONAL IP54 SEALING GASKET APPLIED TO PANEL BEFORE INSERTING LENS CAP/FLP ASSEMBLY INTO PANEL



RECOMMENDED LENS MOUNTING HOLE



CUSTOMER USE DRAWING

STANDARD TOLERANCE (UNLESS OTHERWISE SPECIFIED)		 4 THOMAS, IRVINE, CA. 92618 TEL: (949) 951-8808 FAX: (949) 951-3974			
DECIMALS	ANGULAR				
.X $\pm .1$	X° $\pm 1^\circ$	TITLE: FLP ASSEMBLY WITH SMFLP ADAPTER, LC			
.XX $\pm .02$					
.XXX $\pm .010$		DESIGNED: K. BARON	DATE: 8/26/2019	DRAWING NO: SF1-X.XX-F4PX-X	REVISION: B
		REVISOR: K. BARON	DATE: 3/22/2024	SHEET SIZE: A	CAGE CODE: 32559
		CHECKED: A. VALDEZ	DATE: 3/22/2024	SCALE: 2:1	SHEET # 1 OF 2

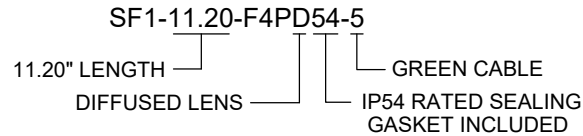
TABLE 1 - LENGTH	
LENGTH (L)*	TOLERANCE
1.00" - 16.00"	±0.05"
16.05" - 40.00"	±0.15"
40.05" - 80.00"	±0.30"
80.05" - 3,940.00"	±0.5%

*AVAILABLE IN 0.05" INCREMENTS

TABLE 2 - LENS	
ORDER CODE	LENS APPEARANCE
(BLANK)	CLEAR
D	DIFFUSED
S	SMOKED
BE	TINTED BLUE
GN	TINTED GREEN
RD	TINTED RED
YW	TINTED YELLOW

TABLE 3 - CABLE	
ORDER CODE	CABLE COLOR
(BLANK)	BLACK
2	RED
4	YELLOW
5	GREEN
6	BLUE
9	WHITE

SAMPLE PART NUMBER:



ASSEMBLY INSTRUCTIONS TO ACHIEVE OPTIMUM FUNCTION OF SEALING GASKET:

- CLEAN PANEL SURFACE AROUND MOUNTING HOLE WITH ALCOHOL
- PEEL LINER OFF TOP OF THE SEALING GASKET WHILE KEEPING SEALING GASKET ON PLASTIC ROLL
- APPLY SEALING GASKET TO PANEL HOLE AS CENTERED AS POSSIBLE AND PEEL PLASTIC LINER SLOWLY AWAY
- INSERT LIGHT PIPE INTO PANEL UNTIL SEALING GASKET MATERIAL IS COMPRESSED BETWEEN LENS AND PANEL
- HOLD FOR A FEW SECONDS TO ENSURE ENTIRE SEALING GASKET ADHERES TO PANEL AND LENS FLANGE SURFACE

CUSTOMER USE DRAWING

		BIVAR[®]	
CAGE CODE:	32559	DRAWING NO: SF1-X.XX-F4PX-X	REVISION: B
SHEET SIZE:	A	SCALE: 2:1	SHEET # 2 OF 2
<small>CAD GENERATED DOCUMENT, DO NOT MEASURE DRAWING</small>			