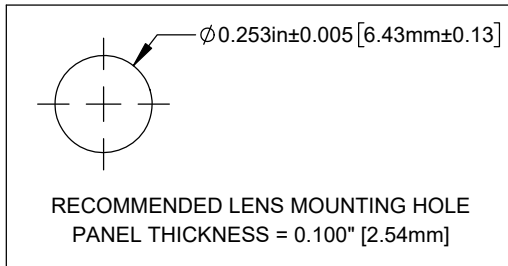
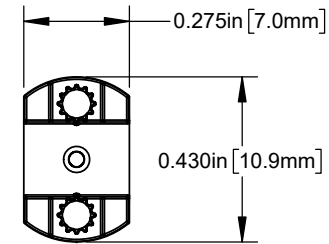
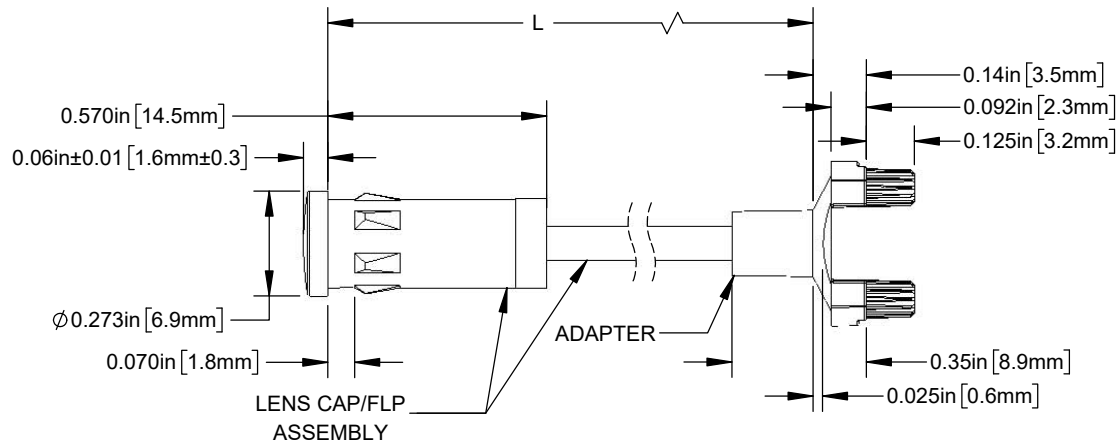


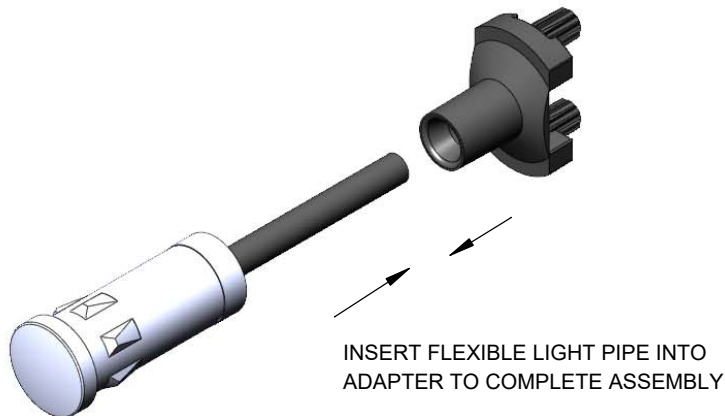
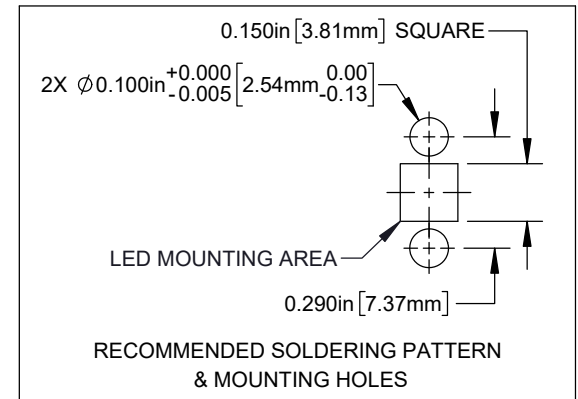
NOTES:

1. COMPONENTS SHIPPED NON-ASSEMBLED.



PART NUMBER CONFIGURATOR
SEE SHEET 2 FOR ORDERING INFORMATION

SF1-X.XX-F7P-X
LENGTH (L) (SEE TABLE 1) CABLE COLOR (SEE TABLE 2)



CUSTOMER USE DRAWING

| | | | |
|-------------------------------------------------|--------------------|----------------------------------------------------------------------------|----------------|
| STANDARD TOLERANCE (UNLESS OTHERWISE SPECIFIED) | | 4 THOMAS, IRVINE, CA. 92618 TEL: (949) 951-8808 FAX: (949) 951-3974 | |
| DECIMALS | ANGULAR | | |
| .X ± .1 | X° ± 1° | TITLE: FLP ASSEMBLY WITH SMFLP ADAPTER, FLP5 | |
| .XX ± .02 | | | |
| .XXX ± .010 | | | |
| DESIGNED: K. BARON | DATE: 9/13/2024 | DRAWING NO: SF1-X.XX-F7P-X | |
| REVISOR: K. BARON | DATE: 3/25/2024 | SHEET SIZE A | REVISION: B |
| CHECKED: A. VALDEZ | DATE: 3/25/2024 | CAGE CODE: 32559 | SCALE: 2:1 |
| | | SHEET # 1 OF 2 | |
| CAD GENERATED DOCUMENT, DO NOT MEASURE DRAWING | | | |

| TABLE 1 - LENGTH | |
|--------------------|-----------|
| LENGTH (L)* | TOLERANCE |
| 1.00" - 16.00" | ±0.05" |
| 16.05" - 40.00" | ±0.15" |
| 40.05" - 80.00" | ±0.30" |
| 80.05" - 3,940.00" | ±0.5% |

*AVAILABLE IN 0.05" INCREMENTS

| TABLE 2 - CABLE COLOR | |
|-----------------------|-------------|
| ORDER CODE | CABLE COLOR |
| (BLANK) | BLACK |
| 2 | RED |
| 4 | YELLOW |
| 5 | GREEN |
| 6 | BLUE |
| 9 | WHITE |

SAMPLE PART NUMBER

SF1-11.20-F7P-2

11.20" LENGTH

RED CABLE

CUSTOMER USE DRAWING

| | | | |
|---------------------------------------------------------------|--------------|--------------------------------------|------------------------------|
| | | BIVAR [®] | |
| CAGE CODE: | 32559 | DRAWING NO: SF1-X.XX-F7P-X | REVISION: B |
| SHEET SIZE: | A | SCALE: 2:1 | SHEET # 2 OF 2 |
| <small>CAD GENERATED DOCUMENT, DO NOT MEASURE DRAWING</small> | | | |