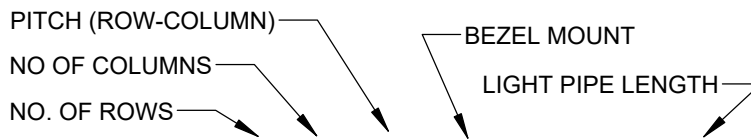
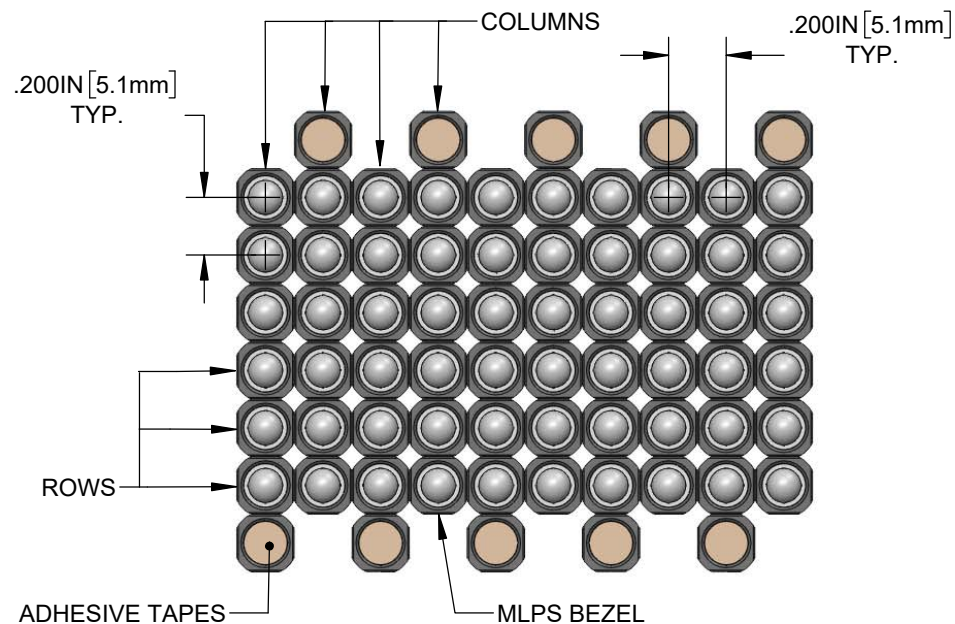


NOTES:

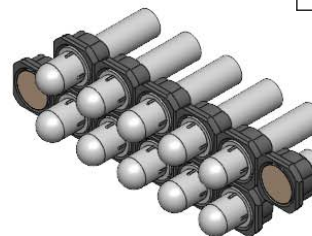
1. BEZEL MATERIAL IS NYLON 6/6, UL94 V-0
2. DOUBLE-SIDED ADHESIVE TAPE MATERIAL IS KRAFT PAPER WITH 3M 9482.
3. LIGHT PIPE IS CLEAR POLYCARBONATE, UL94 V-0.
4. ASSEMBLIES ARE PACKAGED AND SHIPPED ASSEMBLED.

REVISIONS			
REV.	DESCRIPTION	DATE	APPROVED
A	ENGINEERING RELEASE	07/19/23	A.V.



P/N: MLPS - B - 3 - HHJJ - KK - T - PLP1-XXXX

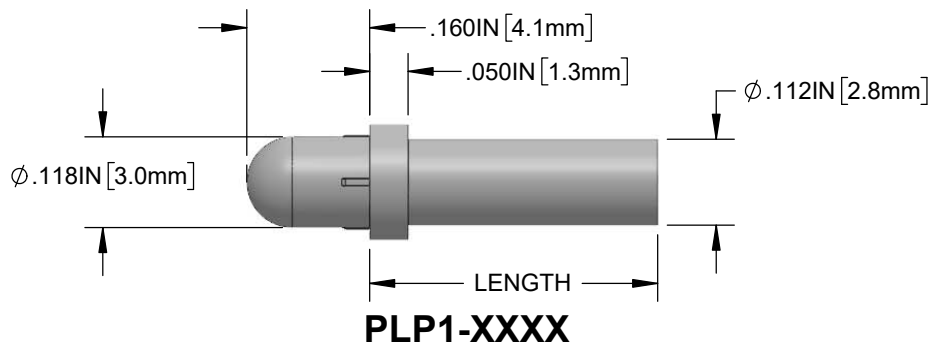
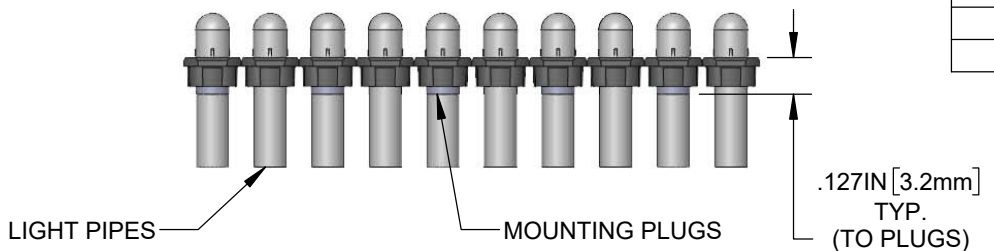
ARRAY CONFIGURATION		PITCH (ROW - COLUMN) "KK"			BEZEL MOUNT "T"	LIGHT PIPE LENGTH	
ROWS "HH"	COLUMNS "JJ"	PITCH	ROW "K_"	COLUMN "_K"	2	LENGTH	CODE "XXXX"
01	01	0.000 IN	0	0	4	.188 IN	188
02	02		C	C	6	.200 IN	200
03	03	0.200 IN			C	C	8
04	04		10	.313 IN			313
05	05	12	.350 IN	350			
06	06	14	.375 IN	375			
07	07		.460 IN	460			
08	08		.500 IN	500			
09	09		.625 IN	625			
10	10		.750 IN	750			
11	11		5.0 mm	5MM			
12	12		6.0 mm	6MM			
	13		7.0 mm	7MM			
	14		8.0 mm	8MM			
			9.0 mm	9MM			
			10.0 mm	10MM			



PART NO. EXAMPLE:
MLPS-B-3-0205-CC-2-PLP1-375

2 ROWS, 5 COLUMNS
.200 X .200 PITCH (ROW-COLUMN)
2 BEZEL MOUNTS
PLP1-375 LIGHT PIPE

CUSTOMER USE DRAWING



STANDARD TOLERANCE (UNLESS OTHERWISE SPECIFIED)		 4 THOMAS, IRVINE, CA. 92618 TEL: (949) 951-8808 FAX: (949) 951-3974			
DECIMALS	ANGULAR				
.X ± .1	X° ± 1°	TITLE: MODULAR LIGHT PIPE SYSTEM, BEZEL, PLP1-XXXX DRAWING NO: MLPS-B-3-HHJJ-KK-T-PLP1-XXXX_A REVISION: A			
.XX ± .01					
.XXX ± .005		DESIGNED: A.VALDEZ	DATE: 07/19/2023	SHEET SIZE: A	CAGE CODE: 32559
		REVISOR:	DATE:	SCALE: N/A	SHEET # 1 OF 1
		CHECKED: MICHAEL P.	DATE: 07/19/2023	CAD GENERATED DOCUMENT, DO NOT MEASURE DRAWING	