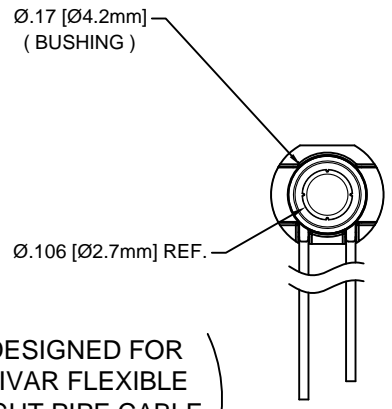
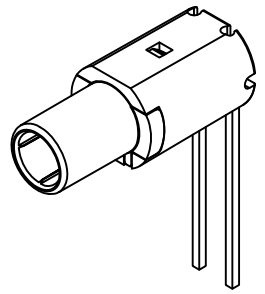
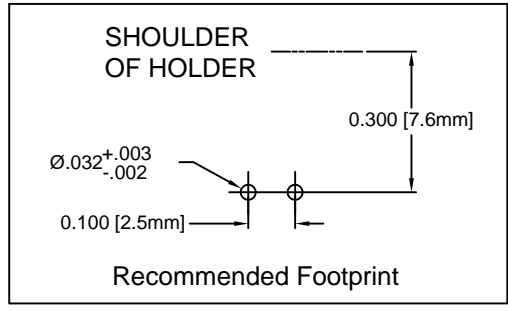
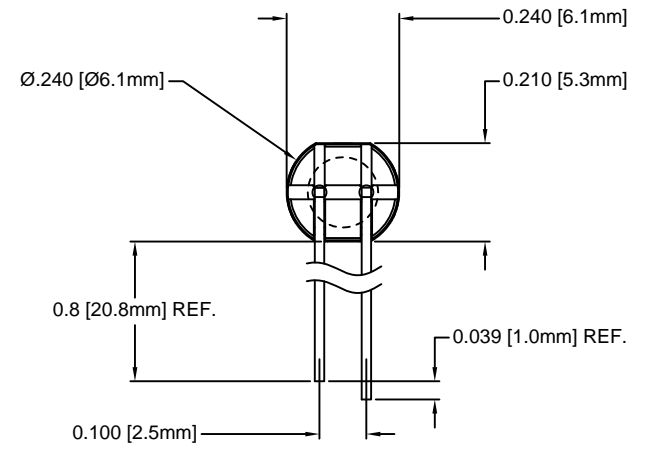
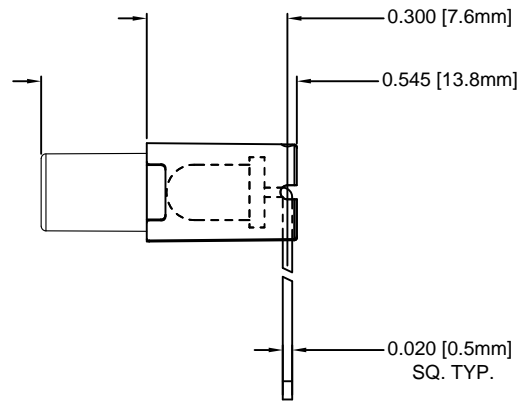


REV.	DESCRIPTION	DATE	APPROVED
A	Engineering Release	05/12/17	J. C.

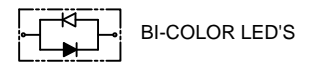


(DESIGNED FOR
BIVAR FLEXIBLE
LIGHT PIPE CABLE
FLPS2027)




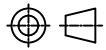
Part Number Configuration
FLPR3-UR

LED Color,
See Page 2



SHORT LEAD CATHODE	LED PART NO.	LONG LEAD CATHODE
RED	3BCC-F	GREEN
RED	3SBCC-F	GREEN
YELLOW	3SBCC-Y/G-F	GREEN

NOTES:
1. ROHS COMPLIANT
2. ADAPTER DESIGNED FOR BIVAR FLEXIBLE LIGHT PIPE CABLE FLPS2027


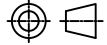
STANDARD TOLERANCE (UNLESS OTHERWISE SPECIFIED)		 BIVAR [®] 4 THOMAS, IRVINE, CA. 92618 TEL: (949) 951-8808 FAX: (949) 951-3974	
DECIMALS	ANGULAR		
.X ± .1	X° ± 1°		
.XX ± .02		 TITLE: FLEXIBLE LIGHT PIPE ADAPTER, RIGHT ANGLE, W/LED	
.XXX ± .010			PART NO: FLPR3-XXX
DESIGNED: TD. Nguyen	DATE: 04/30/17	REVISION: A	CAGE CODE : 32559
CHECKED: K. Baron	DATE: 04/30/17	SHEET # 1 OF 2	
CAD GENERATED DOCUMENT, DO NOT MEASURE DRAWING.			

REV.	DESCRIPTION	DATE	APPROVED
	SEE SHEET #1		

Assy P/N	Emitted Color	Peak Wavelength λ_p (nm)	Absolute Max. Ratings			LED Electro-Optical Data @ 20mA			LED P/N
			Pd (mW)	If (mA)	Peak If (mA)	Vf (V)		LED Iv (mcd)	
		TYP				TYP	MAX	TYP	
SINGLE COLOR LED ASSEMBLIES (20mA)									
FLPR3-SG	GREEN	568	80	30	150	2.1	2.8	50	3SGC-F
FLPR3-SY	YELLOW	590	85	30	150	2.0	2.8	50	3SYC-F
FLPR3-SR	RED	645	70	30	150	1.7	2.4	60	3SRC-F
FLPR3-UB	BLUE	470	150	25	70	4.0	4.5	400	3UBWC-0.6K-F
FLPR3-UG	GREEN	570	100	30	150	2.1	2.4	200	3UGC-F
FLPR3-UY	YELLOW	590	85	30	150	2.0	2.4	300	3UYC-F
FLPR3-UR	RED	645	60	30	150	1.7	2.4	200	3URC-F
BI-COLOR LED ASSEMBLIES (20mA)									
FLPR3-RG	RED	625	80	30	150	2.0	2.8	8	3BCC-F
	GREEN	568	80	30	150	2.1	2.8	8	
FLPR3-SRG	RED	645	70	30	150	1.7	2.4	100	3SBCC-F
	GREEN	568	80	30	150	2.1	2.8	60	
FLPR3-SYG	Yellow	585	85	20	160	2.1	2.4	15	3SBCC-Y/G-F
	GREEN	565	80	20	160	2.1	2.8	5	

ABSOLUTE MAXIMUM RATINGS (Ta=25°C)

REVERSE VOLTAGE _____ 5V
 REVERSE CURRENT _____ 100 μ A
 OPERATING TEMPERATURE RANGE _____ -25°C ~ +85°C
 STORAGE TEMPERATURE _____ -30°C ~ +100°C
 LEAD SOLDERING TEMPERATURE(1/16" FROM BODY) _____ 260°C FOR 5 SECONDS

STANDARD TOLERANCE (UNLESS OTHERWISE SPECIFIED)		 4 THOMAS, IRVINE, CA. 92618 TEL: (949) 951-8808 FAX: (949) 951-3974	
DECIMALS	ANGULAR		
DESIGNED: TD. Nguyen	DATE: 04/30/17	 TITLE: FLEXIBLE LIGHT PIPE ADAPTER, RIGHT ANGLE, W/LED	
CHECKED: K. Baron	DATE: 04/30/17	PART NO: FLPR3-XXX	REVISION: A
		CAGE CODE : 32559	SHEET # 2 OF 2
CAD GENERATED DOCUMENT, DO NOT MEASURE DRAWING.			