

5-862197-3 ✓ ACTIVE

LGH

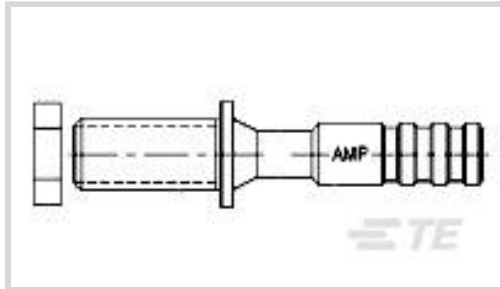
TE Internal #: 5-862197-3

Circular Power Connectors, Lead Assembly, 20000 VDC, 18 – 16 AWG Wire Size, Wire-to-Wire, 1 Position, Wire & Cable, Receptacle, Pin

[View on TE.com >](#)



Connectors > Power Connectors > Circular Power > Circular Power Connectors



Connector Product Type: **Lead Assembly**

Operating Voltage: **20000 VDC**

Wire Size: **18 – 16 AWG**

Connector System: **Wire-to-Wire**

Number of Positions: **1**

Features

Product Type Features

Connector Product Type	Lead Assembly
Connector System	Wire-to-Wire
Sealable	No
Connector & Contact Terminates To	Wire & Cable
Connector & Housing Type	Receptacle

Configuration Features

Number of Positions	1
Number of Signal Positions	1

Electrical Characteristics

Operating Voltage	20000 VDC
-------------------	-----------

Body Features

Positive Stop Ferrule	Without
-----------------------	---------

Contact Features

Reverse Gender	No
Contact Type	Pin

Mechanical Attachment

Panel Mount Feature Type	Flange with Mounting Holes
--------------------------	----------------------------

Dimensions

Compatible Insulation Diameter Range	4.7 mm[.185 in]
Wire Size	18 – 16 AWG

Usage Conditions

Operating Temperature Range	-55 – 125 °C[-67 – 257 °F]
-----------------------------	----------------------------

Operation/Application

Shielded	No
----------	----

Packaging Features

Packaging Quantity	100
Packaging Method	Package

Product Compliance

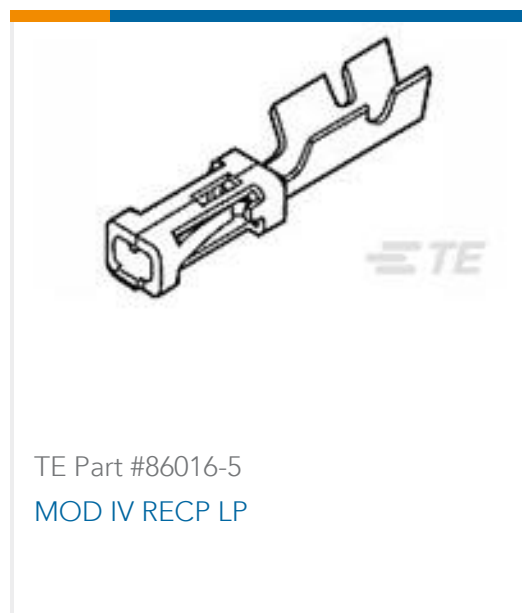
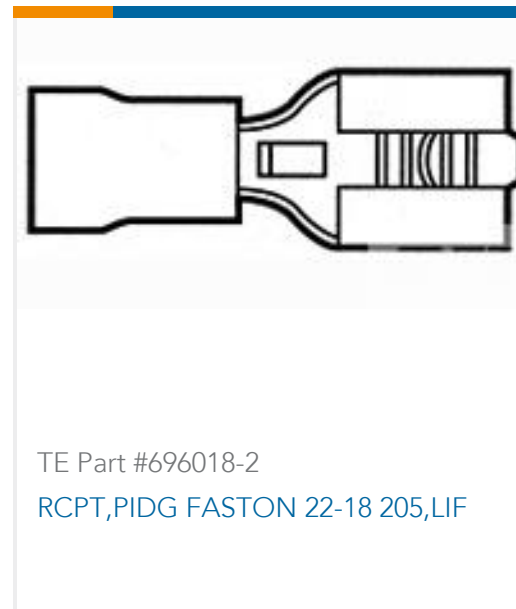
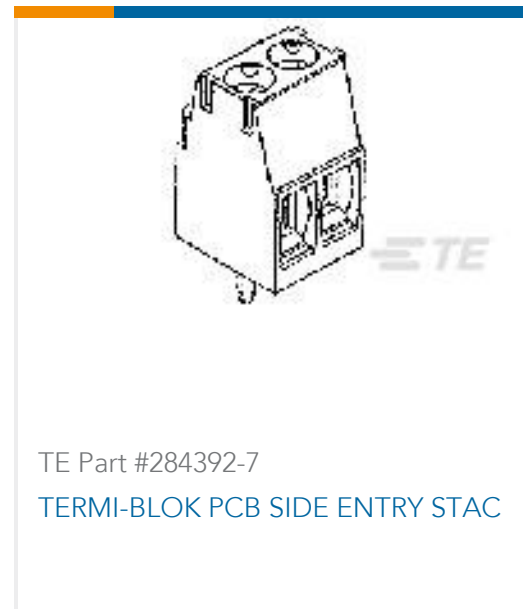
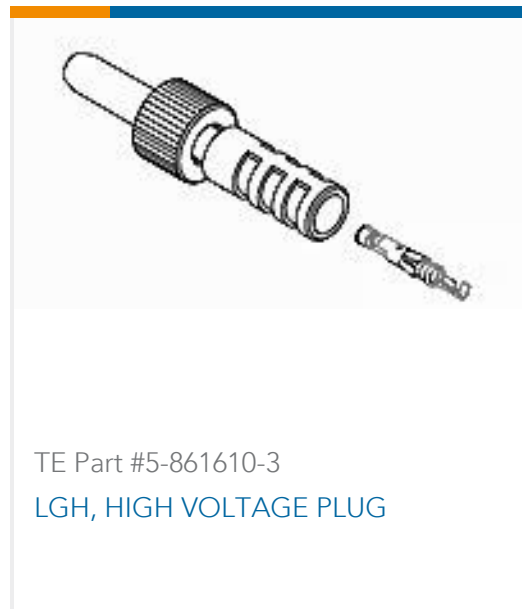
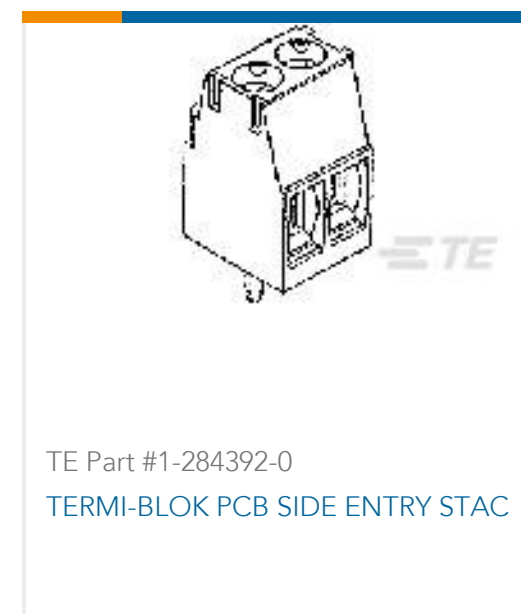
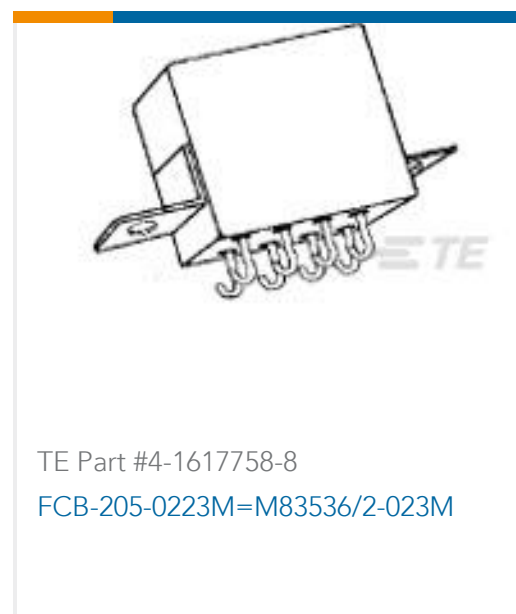
[For compliance documentation, visit the product page on TE.com>](#)

EU RoHS Directive 2011/65/EU	Compliant
EU ELV Directive 2000/53/EC	Compliant
China RoHS 2 Directive MIIT Order No 32, 2016	No Restricted Materials Above Threshold
EU REACH Regulation (EC) No. 1907/2006	Current ECHA Candidate List: JAN 2024 (240) Candidate List Declared Against: JUNE 2023 (235) Does not contain REACH SVHC
Halogen Content	Not Low Halogen - contains Br or Cl > 900 ppm.
Solder Process Capability	Not applicable for solder process capability

Product Compliance Disclaimer

This information is provided based on reasonable inquiry of our suppliers and represents our current actual knowledge based on the information they provided. This information is subject to change. The part numbers that TE has identified as EU RoHS compliant have a maximum concentration of 0.1% by weight in homogenous materials for lead, hexavalent chromium, mercury, PBB, PBDE, DBP, BBP, DEHP, DIBP, and 0.01% for cadmium, or qualify for an exemption to these limits as defined in the Annexes of Directive 2011/65/EU (RoHS2). Finished electrical and electronic equipment products will be CE marked as required by Directive 2011/65/EU. Components may not be CE marked. Additionally, the part numbers that TE has identified as EU ELV compliant have a maximum concentration of 0.1% by weight in homogenous materials for lead, hexavalent chromium, and mercury, and 0.01% for cadmium, or qualify for an exemption to these limits as defined in the Annexes of Directive 2000/53/EC (ELV). Regarding the REACH Regulation, the information TE provides on SVHC in articles for this part number is based on the latest European Chemicals Agency (ECHA) 'Guidance on requirements for substances in articles' posted at this URL: <https://echa.europa.eu/guidance-documents/guidance-on-reach>

Customers Also Bought



Documents

Product Drawings

LGH, RECEPTACLE ASS'Y

English

CAD Files

3D PDF

3D

Customer View Model

[ENG_CVM_CVM_5-862197-3_K.2d_dxf.zip](#)

English

Customer View Model

[ENG_CVM_CVM_5-862197-3_K.3d_igs.zip](#)

English

Customer View Model

[ENG_CVM_CVM_5-862197-3_K.3d_stp.zip](#)

English

By downloading the CAD file I accept and agree to the [Terms and Conditions](#) of use.