

P	LTR	DESCRIPTION	DATE	DWN	APVD
	B	REVISED PER ECN-23-218090	30 JUN 2023	LP	RL

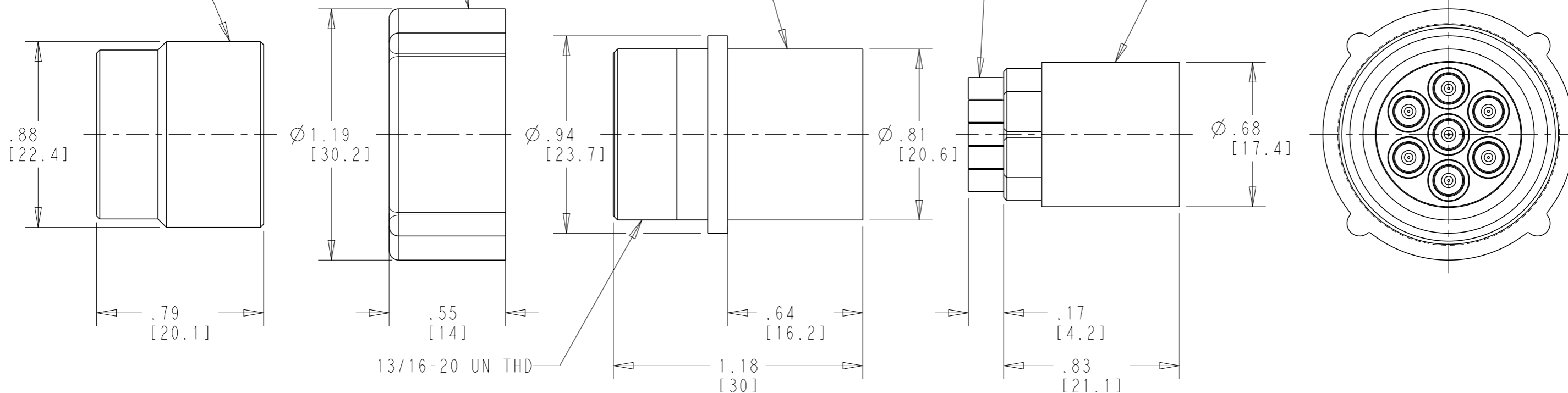
HOUSING
MAT'L: POLYESTER
MLDG. CMPD.

CAP
MAT'L: POLYESTER
MLDG. CMPD.

HOUSING
MAT'L: POLYESTER
MLDG. CMPD.

SOLDER CUP
16 AWG MAX

SLUG
MAT'L: SEE TABLE



13/16-20 UN THD

NO CAP ¹	FLUROELASTOMER COMPOUND	865594-3
--	FLUROELASTOMER COMPOUND	865594-2
--	SILICONE RUBBER	865594-1
REMARKS	SLUG MATERIAL	PART NUMBER

NOTES:

¹ PRELIMINARY - NOT RELEASED FOR PRODUCTION

THIS DRAWING IS A CONTROLLED DOCUMENT.

DIMENSIONS:	TOLERANCES UNLESS OTHERWISE SPECIFIED:
in	
	0 PLC ±-
	1 PLC ±-
	2 PLC ±.03
	3 PLC ±.015
	4 PLC ±-
	ANGLES ±-
MATERIAL	FINISH
SEE CALLOUTS	-
-	-

DWN	08MAY2023
L. PROSPER	
CHK	08MAY2023
R. LACUESTA	
APVD	08MAY2023
R. LACUESTA	
PRODUCT SPEC	-
APPLICATION SPEC	-
WEIGHT	-
CUSTOMER DRAWING	

STE TE Connectivity			
NAME PLUG KIT, 7 PIN MINIATURE, LGH			
SIZE	CAGE CODE	DRAWING NO	RESTRICTED TO
A3	00779	C-865594	-
SCALE		SHEET	REV
2:1		1 OF 1	B