

GT4-M

~30° medium beam

SPECIFICATION:

Dimensions	Ø 35.0 mm
Height	9 mm
Fastening	glue, pin
ROHS compliant	yes ⓘ

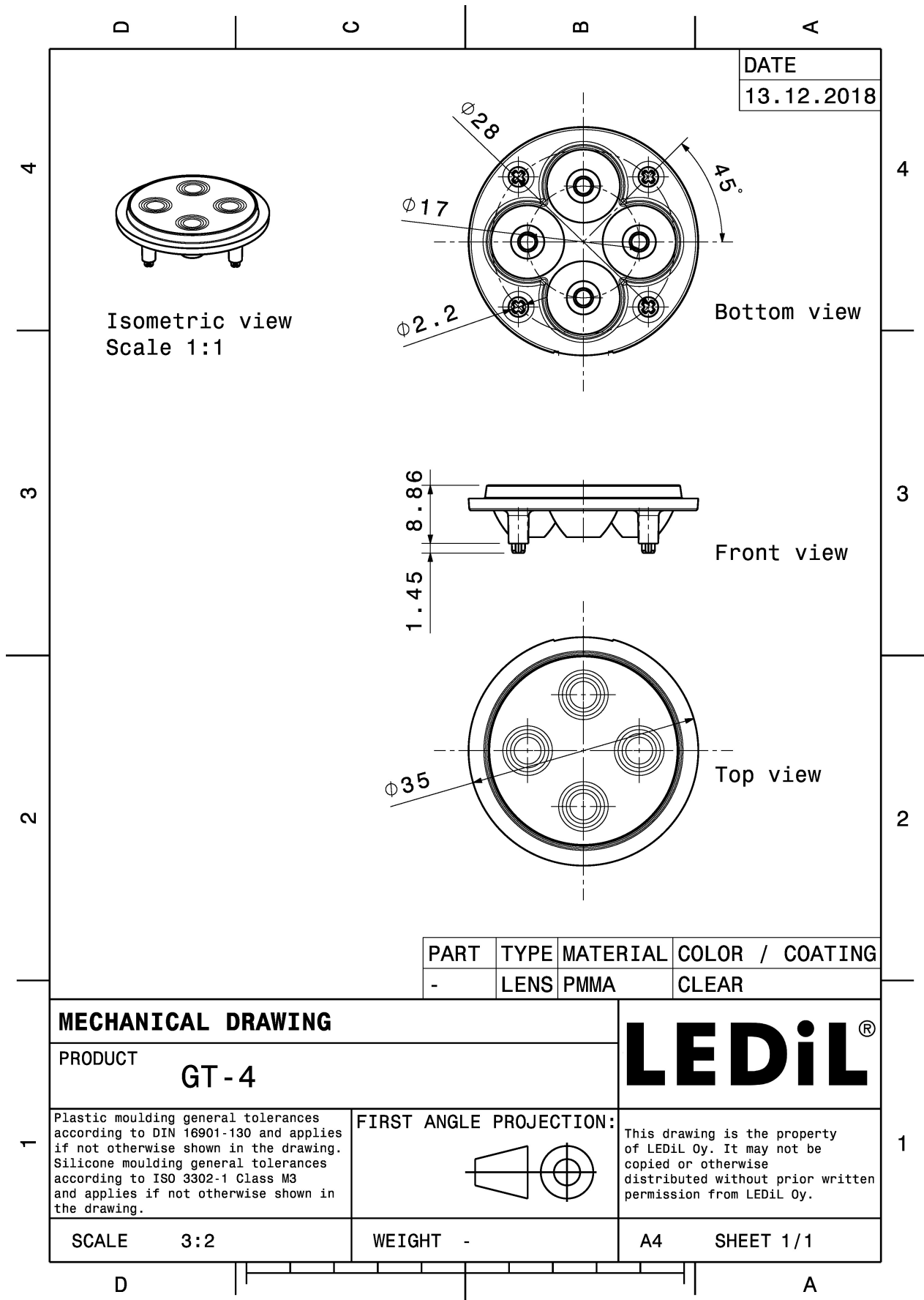


MATERIALS:

Component	Type	Material	Colour	Finish	Length
GT4-M	Multi-lens	PMMA	clear		35.0

ORDERING INFORMATION:

Component	Qty in box	MOQ	MPQ	Box weight (kg)
C10922_GT4-M » Box size: 300 x 250 x 250 mm	864	144	144	2.1

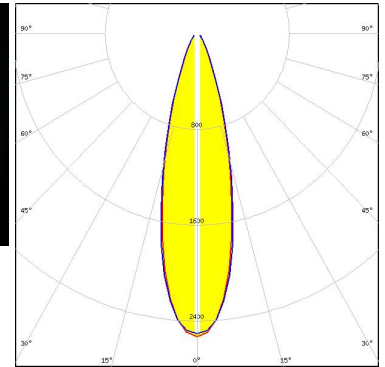


See also our general installation guide: www.ledil.com/installation_guide

OPTICAL RESULTS (MEASURED):



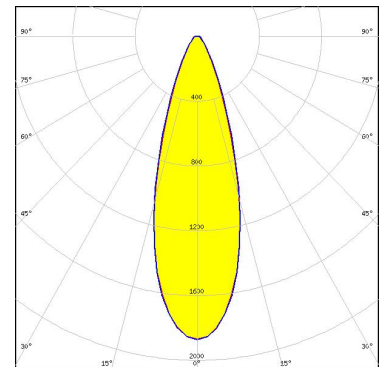
LED XP-E
 FWHM / FWTM 27.0° / 54.0°
 Efficiency 86 %
 Peak intensity 2.5 cd/m
 LEDs/each optic 1
 Light colour/type White
 Required components:



Light distribution files



LED XP-G
 FWHM / FWTM 33.0° / 63.0°
 Efficiency 85 %
 Peak intensity 1.9 cd/m
 LEDs/each optic 1
 Light colour/type White
 Required components:



Light distribution files



LED LUXEON A
 FWHM / FWTM 32.0° / 62.0°
 Efficiency %
 LEDs/each optic 1
 Light colour/type White
 Required components:

Light distribution files

OPTICAL RESULTS (MEASURED):



LED LUXEON Rebel ES
FWHM / FWTM 31.0° / 61.0°
Efficiency 86 %
Peak intensity 2.1 cd/lm
LEDs/each optic 1
Light colour/type White
Required components:

[Light distribution files](#)

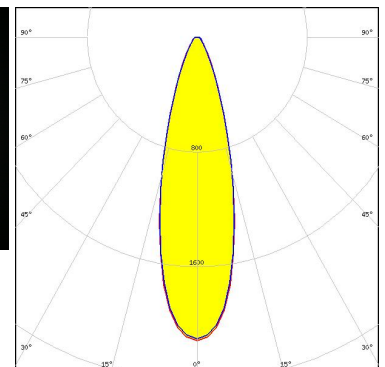
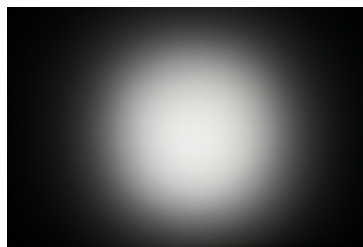


LED OSLOM SSL 150
FWHM / FWTM 24.0° / 44.0°
Efficiency 89 %
Peak intensity 3.5 cd/lm
LEDs/each optic 1
Light colour/type White
Required components:

[Light distribution files](#)



LED OSLOM SSL 80
FWHM / FWTM 29.0° / 59.0°
Efficiency 87 %
Peak intensity 2.1 cd/lm
LEDs/each optic 1
Light colour/type White
Required components:



[Light distribution files](#)

OPTICAL RESULTS (MEASURED):

SHARP

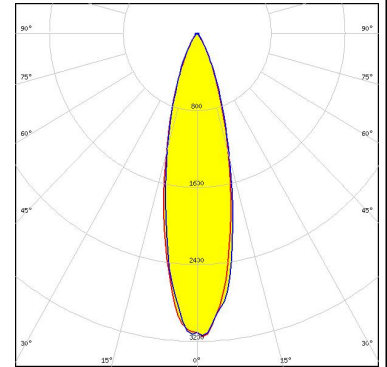
LED	Double Dome (GM2BB)
FWHM / FWTM	30.0°
Efficiency	%
LEDs/each optic	1
Light colour/type	White
Required components:	

[Light distribution files](#)

OPTICAL RESULTS (SIMULATED):

OSRAM
Opto Semiconductors

LED Synios P2720 1/4 mm
FWHM / FWTM 27.0° / 54.0°
Efficiency 94 %
Peak intensity 3.2 cd/lm
LEDs/each optic 1
Light colour/type White
Required components:



Light distribution files

SEOUL
SEMICONDUCTOR

LED Z5
FWHM / FWTM 26.0°
Efficiency %
LEDs/each optic 1
Light colour/type White
Required components:

Light distribution files

GENERAL INFORMATION:

NOTE: The typical beam angle will be changed by different color, chip size and chip position tolerance. The typical total beam angle is the full angle measured where the luminous intensity is half of the peak value.

MATERIALS:

As part of our continuous research and improvement processes, and to ensure the best possible quality and availability of our products, LEDiL reserves the right to change material grades without notice.

PRODUCT DATA USER AGREEMENT AND DISCLAIMER:

The measured data in the provided downloadable LEDiL Product Datasheets and Mechanical 2D-Drawings is rounded and provided as reference for planning. LEDiL Oy's optical specifications have been verified by conducting performance testing of the products in accordance with the company's quality system. The reported data are averaged results of multiple measurements with typical variation. LEDiL Oy reserves the right to without prior notification make changes and improvements to its products.

LEDiL Oy assumes neither warranty, nor guarantee nor any other liability of any kind for the contents and correctness of the provided data. The provided data has been generated with highest diligence but the provided data may in reality not represent the complete possible variation range of all intrinsic parameters. Therefore, in certain cases a deviation from the provided data could occur.

LEDiL Oy reserves the right to undertake technical changes of its products without further notification which could lead to changes in the provided data. LEDiL Oy assumes no liability of any kind for the possible deviation from any provided data or any other damage resulting from the usage of the provided data.

The user agrees to this disclaimer and user agreement with the download or usage of the provided files.

LEDiL Oy

Joensuunkatu 13
FI-24240 SALO
Finland

LEDiL Inc.

228 West Page Street
Suite D
Sycamore IL 60178
USA

Ledil Optics Technology (Shenzhen) Co., Ltd.

405 , Block B
Casic Motor Building
Shenzhen 518057
P.R.CHINA

Local sales and technical support

[www.ledil.com/
where_to_buy](http://www.ledil.com/where_to_buy)

Shipping locations

Poznan, Poland
Hong Kong, China

Distribution Partners

[www.ledil.com/
where_to_buy](http://www.ledil.com/where_to_buy)