

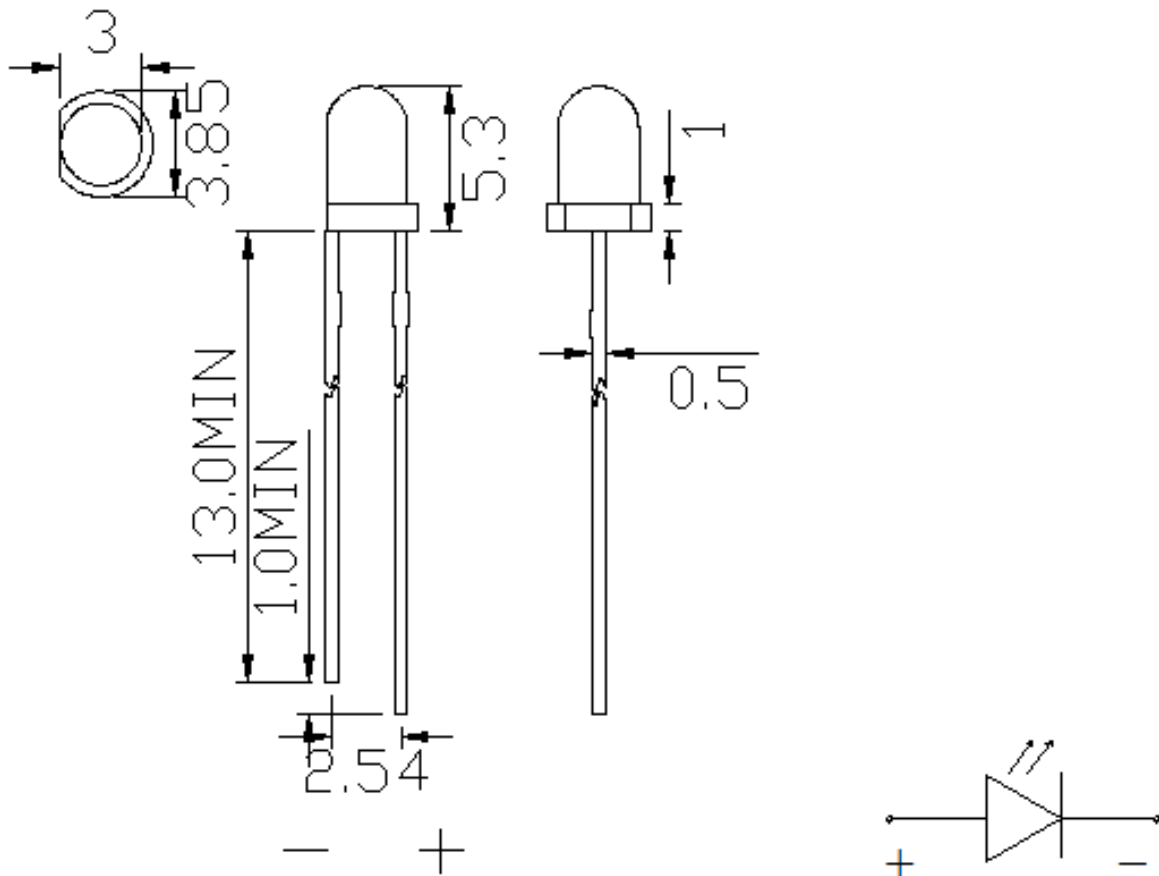


American Opto Plus LED Corp.

L314KH-NBW-50D

3mm Blue LED Lamp

PACKAGE DIMENSION



Item	Materials
Dice	AlInGaP
Lens	White Diffused
Emitted Color	Blue

Notes

1. All dimensions are in millimeters
2. Tolerance are ± 0.15 mm unless otherwise noted.



American Opto Plus LED Corp.

L314KH-NBW-50D

3mm Blue LED Lamp

ABSOLUTE MAXIMUM RATINGS

(Ta=25°C)

	Symbol	Absolute Maximum Rating	Unit
Reverse Voltage	V_R	5	V
Power Dissipation	P_d	60	mW
Operating temperature	T_{opr}	-25~+85	°C
Storage Humidity	ϕ	45%~85%	°F
Storage temperature	T_{stg}	-30~+85	°C
Solder Temperature	T_{sld}	260 for 5 sec.	°C
Peak Pulsed Forward Current (1/10Duty Cycle 0.1ms Pulse)	I_{FP}	60	mA
DC Forward Current	I_F	20	mA

OPTICAL-ELECTRICAL CHARACTERISTICS

(Ta=25°C)

	Symbol	Test condition	Min.	Typ.	Max.	Unit
Luminous Intensity	I_v	$I_F=20mA$	500	--	1500	mcd
Peak Wavelength	λ_p		--	--	--	Nm
Dominant Wavelength	λ_d		460	--	475	Nm
Viewing Angle	2 θ 1/2		--	50	--	deg
Forward Voltage	V_F		2.8	--	3.4	V
Suggestion Forward Current	I_F		3	5 ~ 10	20	mA
Reverse Current	I_R	$V_R=5V$	--	--	10	μA

Note: When using LED, It's circuit adopts current limiting, With DC current about 5 ~ 10mA, not more than 15mA at maximum.



American Opto Plus LED Corp.

L314KH-NBW-50D

3mm Blue LED Lamp

TYPICAL ELECTRICAL-OPTICAL CHARACTERISTIC CURVES

