



**Emergency  
Lighting  
Products**

## PRODUCT DESCRIPTION

The high-efficiency performance of the Hatch **ELP10-2060-UNV** LED Emergency Driver meets California Energy Commission (CEC) Title 20 efficiency requirements and is certified in the CA Title 20 Appliance Efficiency Database. Hatch **ELP10-2060-UNV** allows an LED lighting fixture to be used for normal and emergency operation. In the event of a power failure, the **ELP10-2060-UNV** switches to emergency mode and operates the existing fixture for a minimum of 90 minutes. All of the LED Emergency Drivers in the Hatch line include a test switch with integrated charge indicator and are UL Listed for field or factory installation.

## BENEFITS

- Certified in CA TITLE 20 Appliance Efficiency Database
- Integrated, energy efficient LiFePO<sub>4</sub> Battery
- UL Listed for field and factory installation
- For use with emergency only fixtures as well as new and existing fixtures.

## FEATURES

- UL 924 LISTED for US and Canada
- Class 2 Compliant
- UL Listed for field and factory installation
- Integral, energy efficient LiFePO<sub>4</sub> battery
- Includes test switch and integrated charge indicator
- For use with switched or unswitched fixtures
- 5-Year Warranty
- Meets requirements for CEC Compliance
- Suitable for damp locations
- Includes installation guide and luminaire modification label
- For use with surface mounts or recessed type IC or non-IC products listed to UL standards.
- Leads are protected by flex conduit with 1/2" snap-in connectors for fast, code-compliant field retrofits

## 10W CONSTANT POWER LED EMERGENCY DRIVER ELP10-2060-UNV



## APPROVALS / CERTIFICATIONS

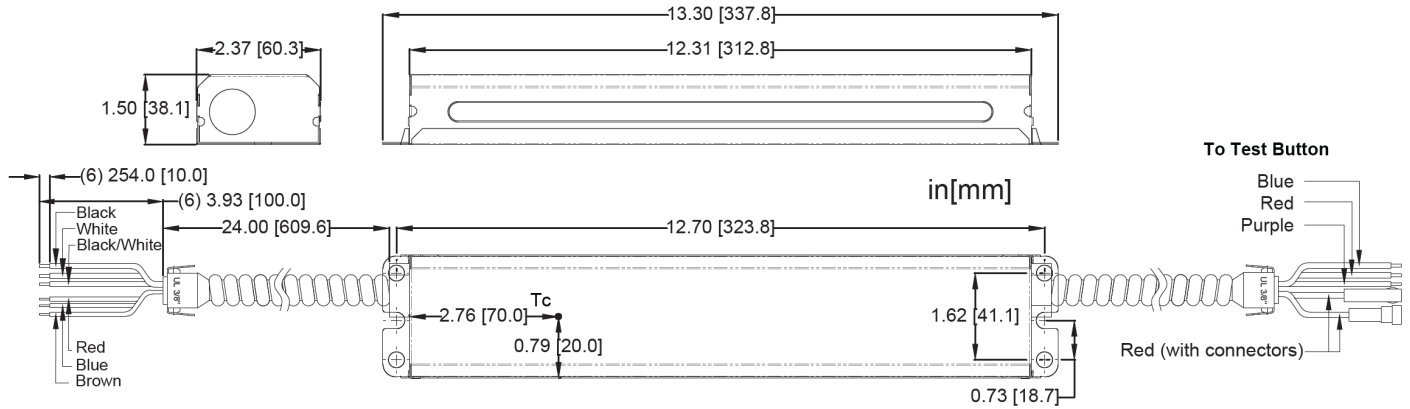


## SPECIFICATIONS

|                          |  |
|--------------------------|--|
| Input Voltage            | 120-277VAC ± 10%                             |
| Frequency                | 50/60Hz                                      |
| Output Voltage           | 20-60 VDC* Class 2                           |
| Output Current           | 500mA @ 20Vdc<br>172mA @ 58Vdc               |
| Output Power             | 10W (constant)                               |
| Power Factor             | >0.9   |
| Emergency Operation      | 90 Minutes                                   |
| Recharge Time            | 24 hours                                     |
| Operating Temp.          | 0 to 55°C                                    |
| Max Amb. Temp. (Battery) | 55°C   |
| Case Material            | Metal  |
| Battery                  | LiFePO <sub>4</sub> 9.6Vdc                   |
| Charging Current         | 307mA  |
| EMI                      | FCC, 47CFR Part 15                           |
| Protections              | Over Voltage, Short Circuit,<br>Over Current |

\*The output power is valid for output voltage less than or equal to 58V, above that power will drop.

Product specifications are subject to change without notice.

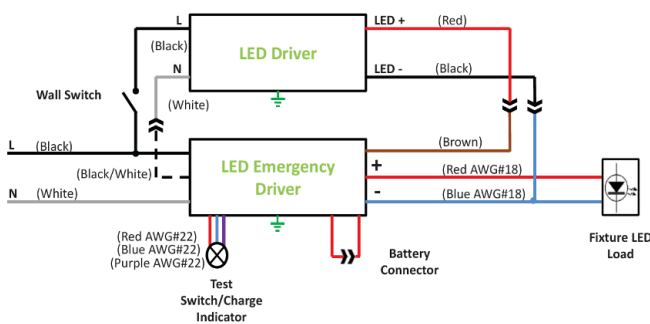


|               |               |                 |               |
|---------------|---------------|-----------------|---------------|
| <b>Length</b> | 13.30 [337.8] | <b>Width</b>    | 2.37 [60.3]   |
| <b>Height</b> | 1.50 [38.1]   | <b>Mounting</b> | 12.75 [323.8] |

WIRING INFORMATION

|                                |                                 |
|--------------------------------|---------------------------------|
| <b>Input</b>                   | 24", Black(L), White (N) #18AWG |
| <b>Output</b>                  | 24", Red(+), Blue (-) #18AWG    |
| <b>LED Driver (N)</b>          | 24", Black/White #18AWG         |
| <b>LED Driver (+)</b>          | 24" Brown, #20AWG               |
| <b>Battery Connection</b>      | 24", Red, Black #18AWG          |
| <b>Test Switch Connections</b> | 24", Red, Blue, Purple #22 AWG  |

WIRING DIAGRAM

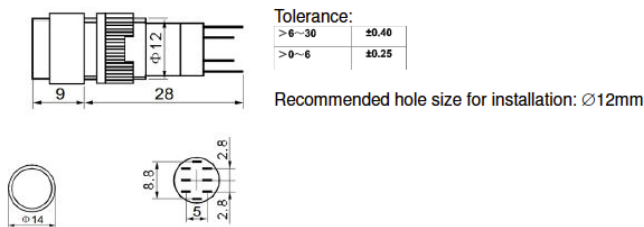


For additional wiring diagrams please visit <https://www.hatchlighting.com/elp-alternate-wiring-diagrams>

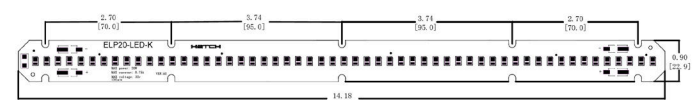
PACKAGING INFORMATION

|                       |             |                   |   |
|-----------------------|-------------|-------------------|---|
| <b>Package Weight</b> | 3.06 lbs    |                   |   |
| <b>Quantity</b>       | 8 pc/carton |                   |   |
| <b>INCLUDES</b>       |             |                   |   |
| LED Emergency Driver  | 1           | Tek Screws        | 2 |
| Wall Plate            | 1           | Test Button       | 1 |
| Luminaire Mod. Label  | 1           | Install. Guide    | 1 |
| Screw Wire Connectors | 3           | Wall Plate Screws | 2 |

TEST SWITCH



OPTIONAL LED MODULE



| Part #      | Max. Power | Max. Current | Typ. Voltage | Lumens/Watt | CRI |
|-------------|------------|--------------|--------------|-------------|-----|
| ELP12-LED-K | 12         | 600mA        | 24V          | ~130        | >80 |

TWO-PIECE CONFIGURATION AVAILABLE



See specification sheet for ELP10-UNV-K  
Features a separate LiFePO<sub>4</sub> Battery for added installation flexibility