

- 1
- 2
- 3
- 4
- 5
- 6
- 7
- 8
- 9
- 10
- 11
- 12
- 13
- 14
- 15
- 16
- 17
- 18

**STATOR AND ROTOR**

Nickel-plated zinc alloy.

**NUT**

For threaded stator M19x1 = brass.  
For threaded stator M22x1.5 = zinc-plated zinc alloy.

**SHAPED CLOSING LEVER**

Zinc-plated steel.  
For threaded stator M19x1, thickness = 2.5 mm.  
For threaded stator M22x1.5, thickness = 3 mm.

**SPRING WASHER**

Zinc-plated steel.

**PACKING RING**

For threaded stator M19x1 = PVC.  
For threaded stator M22x1.5 = SBR rubber.

**SCREW**

M5x8 zinc-plated steel.

**KEY**

Polyamide based (PA) technopolymer.

**ROTATION**

90°.

**IP PROTECTION**

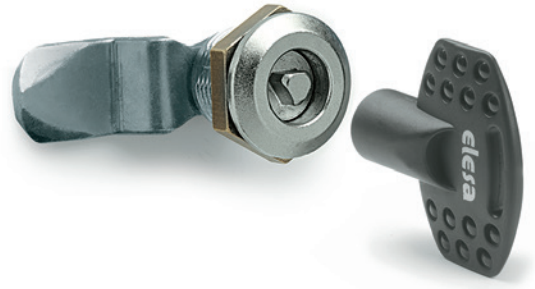
IP 65 protection class, according to EN 60529 (see page A-18).

**STANDARD EXECUTIONS**

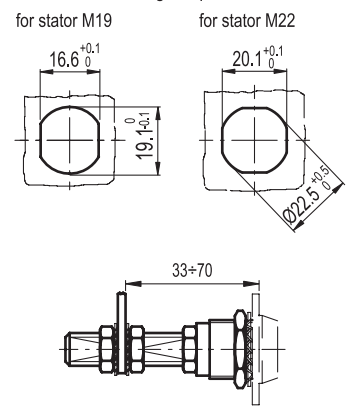
- **CQ/A**: two-wing groove for key.
- **CQ/T**: triangular groove for key.

**SPECIAL EXECUTIONS AND ACCESSORIES**

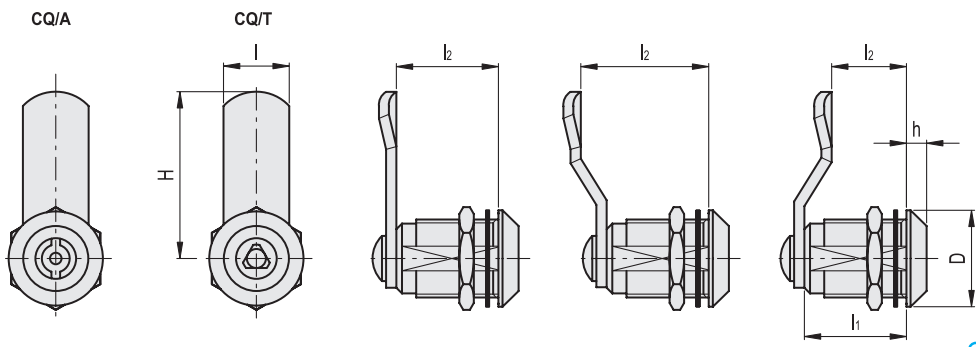
- Closing levers in other dimensions.
- Latches and keys supplied separately.
- Brass threaded extension for prolonged positioning of the lever (code 421137 C.PQ M5/58).



**Drilling templates**



| Conversion Table  |      |    |      |
|-------------------|------|----|------|
| 1 mm = 0.039 inch |      |    |      |
| H                 |      | l2 |      |
| mm                | inch | mm | inch |
| 35.5              | 1.40 | 16 | 0.63 |
| 45                | 1.77 | 18 | 0.71 |
|                   |      | 20 | 0.79 |
|                   |      | 24 | 0.94 |
|                   |      | 25 | 0.98 |
|                   |      | 28 | 1.10 |
|                   |      | 30 | 1.18 |
|                   |      | 32 | 1.26 |
|                   |      | 35 | 1.38 |



| CQ/A   |                    | CQ/T   |                    | METRIC |      |    |    |    |   |    |
|--------|--------------------|--------|--------------------|--------|------|----|----|----|---|----|
| Code   | Description        | Code   | Description        | D      | H    | l  | l1 | l2 | h | ⚖  |
| 421301 | CQ/A-M19x1-36-20   | 421341 | CQ/T-M19x1-36-20   | 22     | 35.5 | 16 | 20 | 20 | 4 | 73 |
| 421303 | CQ/A-M19x1-36-25   | 421343 | CQ/T-M19x1-36-25   | 22     | 35.5 | 16 | 20 | 25 | 4 | 75 |
| 421305 | CQ/A-M19x1-36-30   | 421345 | CQ/T-M19x1-36-30   | 22     | 35.5 | 16 | 20 | 30 | 4 | 79 |
| 421307 | CQ/A-M19x1-36-35   | 421347 | CQ/T-M19x1-36-35   | 22     | 35.5 | 16 | 20 | 35 | 4 | 83 |
| 421313 | CQ/A-M22x1.5-45-16 | 421353 | CQ/T-M22x1.5-45-16 | 28     | 45   | 20 | 20 | 16 | 4 | 85 |
| 421315 | CQ/A-M22x1.5-45-18 | 421355 | CQ/T-M22x1.5-45-18 | 28     | 45   | 20 | 20 | 18 | 4 | 87 |
| 421311 | CQ/A-M22x1.5-45-20 | 421351 | CQ/T-M22x1.5-45-20 | 28     | 45   | 20 | 20 | 20 | 4 | 83 |
| 421317 | CQ/A-M22x1.5-45-24 | 421357 | CQ/T-M22x1.5-45-24 | 28     | 45   | 20 | 20 | 24 | 4 | 91 |
| 421319 | CQ/A-M22x1.5-45-28 | 421359 | CQ/T-M22x1.5-45-28 | 28     | 45   | 20 | 20 | 28 | 4 | 93 |
| 421321 | CQ/A-M22x1.5-45-30 | 421361 | CQ/T-M22x1.5-45-30 | 28     | 45   | 20 | 20 | 30 | 4 | 94 |
| 421323 | CQ/A-M22x1.5-45-32 | 421363 | CQ/T-M22x1.5-45-32 | 28     | 45   | 20 | 20 | 32 | 4 | 95 |