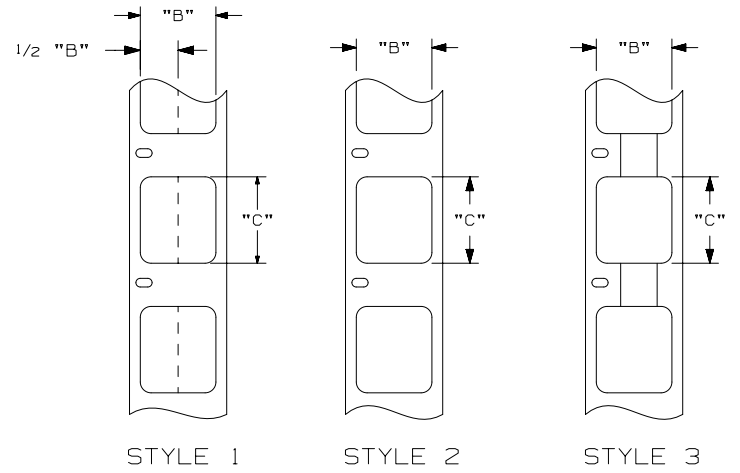
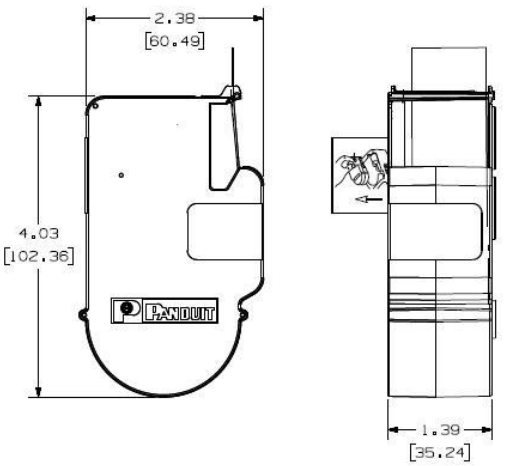


THIS COPY IS PROVIDED ON A RESTRICTED BASIS AND IS NOT TO BE USED IN ANY WAY DETRIMENTAL TO THE INTERESTS OF PANDUIT CORP.

PANDUIT PART NO.	WIRE RANGE	MATERIAL	STYLE	"B"	"C"	COLOR (PRINT ON AREA)	LABELS PER ROLL
N050X075CBC	12-10 AWG	GMC4 (VINYL CLOTH)	1	0.50 [12.70]	0.75 [19.05]	WHITE	125
N050X150CBC	8-2 AWG		1		1.50 [38.10]		75
N100X075CBC	12-10 AWG		2	1.00 [25.40]	0.75 [19.05]		125
N100X125CBC	10-6 AWG		1		1.25 [31.75]		75
N100X150CBC	8-2 AWG		2		1.50 [38.10]		
N100X175CBC	6-1 AWG		1		1.75 [44.45]		50
N050X075C1C	12-10 AWG	GMC6 (NYLON CLOTH)	3	0.50 [12.70]	0.75 [19.05]	WHITE	250
N050X075C2C						YELLOW	
N050X125C1C	10-6 AWG			1.25 [31.75]	WHITE	150	
N050X125C2C					YELLOW		
N100X075C1C	12-10 AWG			0.75 [19.05]	WHITE	250	
N100X075C2C					YELLOW		
N100X125C1C	10-6 AWG	1.25 [31.75]	WHITE	150			
N100X125C2C			YELLOW				

6
6
6
6

6



NOTES:
1. DIMENSIONS IN [] ARE IN MILLIMETERS.

REV	DATE	BY	CHK	APR	DESCRIPTION	ECN
6	12/12/17	RVU	JW	JHAC	CHANGE THE LABELS PER ROLL TO MATCH PRODUCTION DRAWING A61796 REV. 4 QUANTITIES. 250 WAS 125. 150 WAS 75.	GAECN04435
5	9/30/15	RVU	SEWH	JHAC	CHANGE STYLE 2 TO 3 FOR ALL N***X***C1C ONLY. ADD (VINYL CLOTH) TO GMC4, & (NYLON CLOTH) TO GMC6.	GAECN03189
4	9/10/14	RVU	SEWH	MSAD	ADD NEW STYLE 3 WITH BRIDGES. CHANGE PN, N050X075C2C, N050X125C2C, N100X075C2C, N100X125C2C FROM STYLE 2 TO 3.	GAECN02298
3	4/30/14	RVU	SEWH	MSAD	PART NUMBER, ALL N***X***CBC, C*C FOR THE VINYL & NYLON CLOTH CASSETTES SHOW A WIRE RANGE, ALL ARE NOT CORRECT.	GAECN01935
2	11/17/12	HONG			CHANGE TO CURRENT TEMPLATE AND ADDED N100X075CBC	GAECN00399
1	06/25/10	RVU			ADD NEW PN N***X***C*C.	6029
0	04/21/08	RVU			DRAWING RELEASE	5403

TITLE		P1 LABEL CASSETTE NON-LAMINATED LABEL CUSTOMER DRAWING	
ITEM REVISION NAME		100743CJ/18	
DATASET FILE NAME		100743CJ_DC_C10693/18F	
UNLESS OTHERWISE SPECIFIED, DIMENSIONAL TOLERANCES ARE: IN [mm]		MATERIAL: PANDUIT SEE TABLE	
.x ± .1 [2.54] .xxx ± .025 [.635] .xx ± .03 [.762] ANGLES ±		DRAWING NUMBER: C10693	
THIRD ANGLE PROJECTION		SHT 1 OF 1	
DRAWN BY	DATE	CHK	SCALE
RVU	4/22/08	MSAD	NTS
			SIZE A

D101000DA/12