

# CLIFF

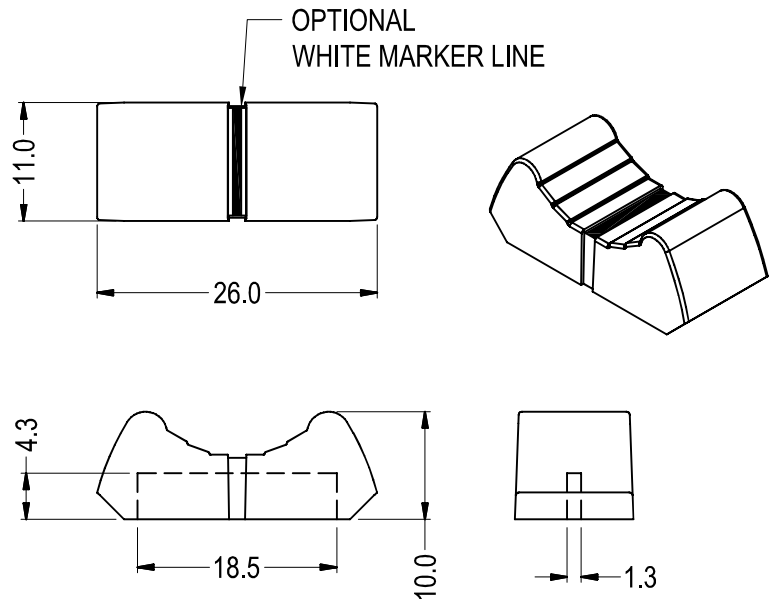
## T-BAR SLIDER KNOB CS13

CS13 is an addition to our slider knob range.

Conductive version available in black ONLY. Surface resistivity  $10^3$  Ohms/SQ.

Non conductive version is available in black as standard. Other colours available subject to minimum order quantities.

All versions have a matt finish to match other knobs in our range.



### PART No.

**CP343601**

T-BAR SLIDER KNOB CS13 WITHOUT MARKER LINE

**CP343602**

T-BAR SLIDER KNOB CS13 WITH MARKER LINE

**CP343611**

CONDUCTIVE T-BAR SLIDER KNOB CS13 WITHOUT MARKER LINE

**CP343612**

CONDUCTIVE T-BAR SLIDER KNOB CS13 WITH MARKER LINE

### DESCRIPTION