

NetKey™ Modular Furniture Faceplates (Standard openings)

PANDUIT®

DATA SHEET

specifications

Modular furniture faceplates shall be available in 4 ports and shall have a flat design with and without labeling. Faceplate shall mount to standard furniture openings and shall accept any NetKey™ Keystone module.



technical information

Mounting options: Standard sizes have industry standard opening 1.345" - 1.405" (H) x 2.67" - 2.75" (W), maximum panel thickness of 0.09"

key features and benefits

Modular flat design	Accepts all NetKey™ modules. Compatible with the modular furniture faceplate extender
Bend radius control	Bend radius can be protected or improved by using faceplate extender which will add 0.05" to the in-wall depth

applications

Furniture faceplates are used in work areas with modular furniture which have the standard furniture outlet opening.

Faceplate extender can be used to increase the space behind the furniture faceplate by 0.5".

NetKey™ Modular Furniture Faceplates (For standard openings)

Four module space (with labels): NK4MFBL*
NK4MFLBL

Label options for four module space faceplates (adhesive)

Laser/Inkjet: C252X030FJJ
LS8E: C252X030FJC

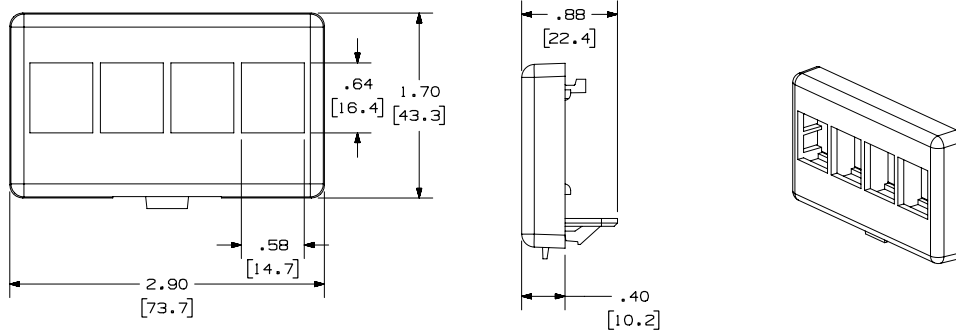
Accessories

Modular furniture faceplate extender: MFFPEBL
Replacement labels and label covers: C4PPLK

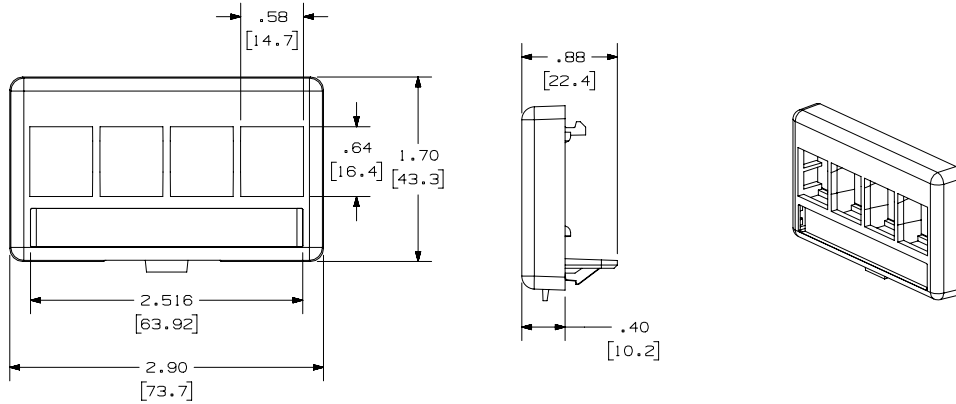
*For other colors, replace suffix BL (Black) with IW (Off White), WH (White), or IG (International Gray).

NetKey™ Modular Furniture Faceplates (Standard openings)

NK4MFBL



NK4MFLBL



Dimensions are in inches. (Dimensions in brackets are metric).

WORLDWIDE SUBSIDIARIES AND SALES OFFICES

PANDUIT US/CANADA
Phone: 800.777.3300

PANDUIT EUROPE LTD.
London, UK
Phone: 44.20.8601.7200

PANDUIT SINGAPORE PTE. LTD.
Republic of Singapore
Phone: 65.6305.7575

PANDUIT JAPAN
Tokyo, Japan
Phone: 81.3.6863.6000

PANDUIT LATIN AMERICA
Guadalajara, Mexico
Phone: 52.33.3777.6000

PANDUIT AUSTRALIA PTY. LTD.
Victoria, Australia
Phone: 61.3.9794.9020

For a copy of Panduit product warranties, log on to www.panduit.com/warranty

PANDUIT®

For more information
Visit us at www.panduit.com
Contact Customer Service by email: cs@panduit.com
or by phone: 800.777.3300

© 2022 Panduit Corp.
ALL RIGHTS RESERVED.
NKDS60--WW-ENG
4/2022