

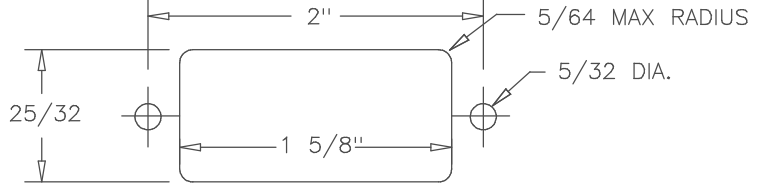
SPECIFICATIONS

RESISTANCE -----1K,5K,10K,20K ±15%
 LINEARITY (INDEPENDENT)-----±3%
 POWER RATING-----0.1 WATTS
 ELECTRICAL ANGLE-----30±5°
 MECHANICAL ANGLE-----±15° ~ ±19°
 CENTER RETURN ACCURACY-----50% ±3%
 RESOLUTION-----ESSENTIALLY INFINITE
 MAX. WIPER OUTPUT-----1 mA RECOMMENDED, 5mA MAX.
 OUTPUT SMOOTHNESS-----BELOW 0.2% AGAINST INPUT VOLTAGE
 CONTACT RESISTANCE VARIATION-----BELOW 5% C.R.V.
 INSULATION RESISTANCE-----100MEGOHMS @ 500VDC MIN.
 DIELECTRIC STRENGTH-----1 MINUTE AT 500 VAC
 STARTING TORQUE-----.15 OZ. IN. ~ .18 OZ. IN.
 WIPER CURRENT-----BELOW 10 uA
 WEIGHT-----APPROX. 0.7 OZ.
 OPERATING TEMPERATURE----- -20°C TO +65°C
 STOPPER STRENGTH-----OVER 0.03 OZ. IN.
 VIBRATION-----10 - 55 Hz, 10G.
 SHOCK-----30G.
 LIFE EXPECTANCY----- APPROX. 2,000,000 OPERATIONS.

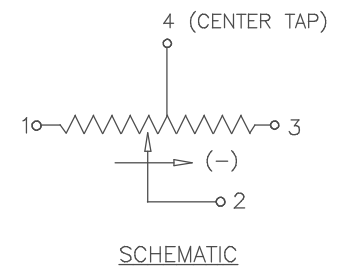
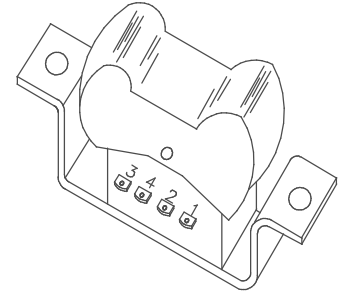
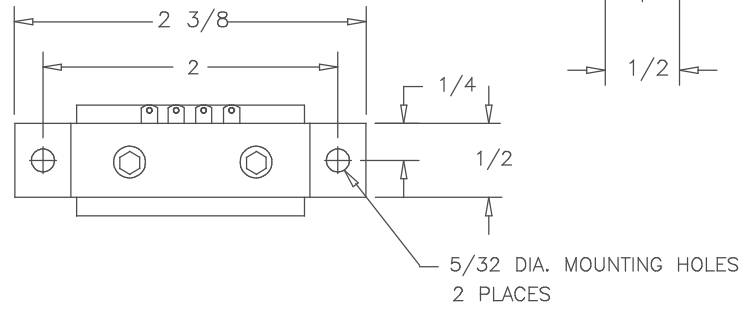
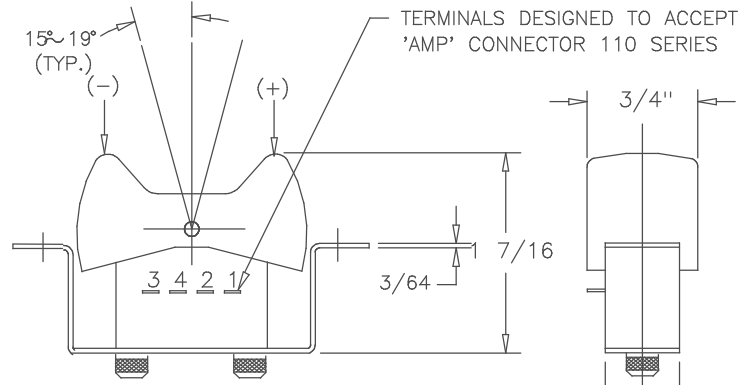
MATERIALS

HOUSING-----HIGH TEMP. THERMO PLASTIC
 TERMINALS-----GOLD PLATED BRASS
 RESISTANCE ELEMENT-----CONDUCTIVE PLASTIC

SUGGESTED PANEL LAYOUT



| | | | |
|------|----|----------|-----------------|
| REV. | BY | DATE | P/N |
| I | AT | 11-13-02 | J3R |
| | | | ADDED J3R-IT-1K |



| | | | |
|------------|------------|--------------------------------|------------|
| 20K | YES | TO CENTER | J3R-IT-20K |
| 1K | YES | TO CENTER | J3R-IT-1K |
| 1K | NO | TO TERMINAL #1 | J3R-E-1K |
| 10K | NO | TO CENTER | J3R-I-10K |
| 5K | NO | TO CENTER | J3R-I-5K |
| 10K | NO | TO TERMINAL #1 | J3R-E-10K |
| 5K | NO | TO TERMINAL #1 | J3R-E-5K |
| 5K | YES | TO CENTER | J3R-IT-5K |
| 10K | YES | TO CENTER | J3R-IT-10K |
| RESISTANCE | CENTER TAP | POSITION SPRING RETURNS ROCKER | MODEL |

TOLERANCES
 XX = +/- .010" FRACT. = +/- 1/64"
 XXX = +/- .005" ANGLES = +/- 1/2"
 ALL SPECIFICATIONS SUBJECT TO CHANGE WITHOUT NOTICE.

| | |
|-------------|--------------|
| SCALE | DATE: 3-6-96 |
| | BY |
| | APPRV'D BT |
| CODE IDENT: | 19477 |



ETI SYSTEMS
 CARLSBAD CALIFORNIA

TITLE
 ROCKER POT

PART NO.
 J3R