

THIS DOCUMENT CONTAINS PROPRIETARY DATA OF POLARIS INDUSTRIAL ENTERPRISES INC. NO DISCLOSURE, REPRODUCTION OR USE OF ANY PART THERE OF MAY BE MADE EXCEPT BY WRITTEN PERMISSION.

REV. BY DATE APPROVL. P/N

J25HM

**ELECTRICAL**

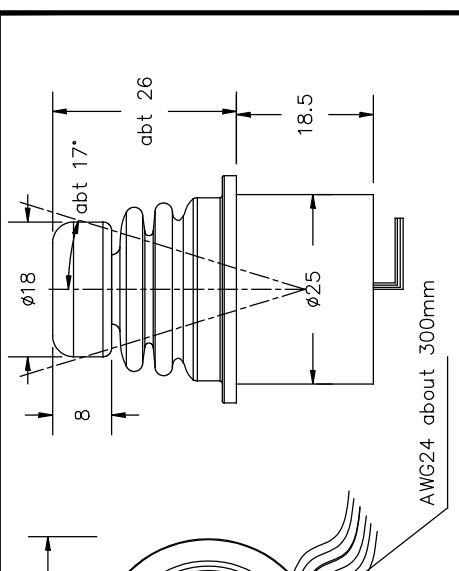
APPLIED VOLTAGE----- 5V DC±10%  
 LINEARITY (INDEPENDENT)----- ±3.0%-FS  
 LOAD RESISTANCE----- 10K OHM MIN. RECOMMENDED  
 LEVER ELECTRICAL ANGLE----- X&Y ±17° (APPROX. 34°)  
 INSULATION RESISTANCE----- OVER 1000 MEGA OHMS @ 500VDC.  
 DIELECTRIC STRENGTH----- 1 MINUTE AT 500 VAC  
 EMS DURABILITY----- 100V/m (80MHZ ~ 1 GHZ 1KHZ SINE-WAVE 80%AM)  
 EFFECTIVE OUTPUT----- 0.5V ~ 4.5V

**MECHANICAL**

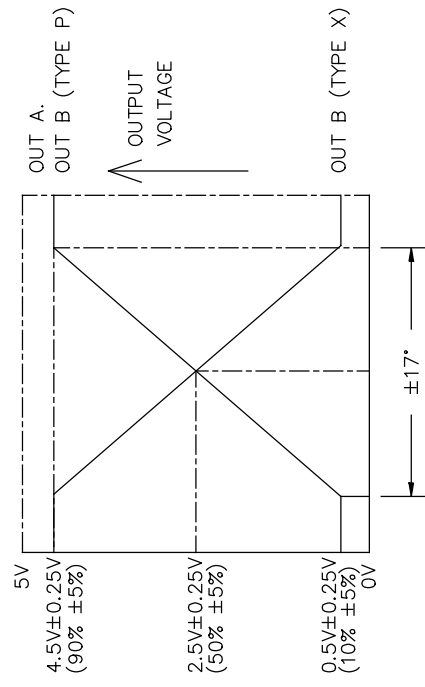
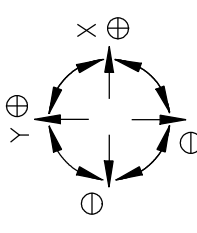
RANGE OF OPERATING LEVER----- ±17° FROM CENTER  
 OPERATING FORCE----- APPX. 3.6 ~ 9 OZ. FORCE  
 OPERATING TEMPERATURE----- -20°C TO +60°C  
 LIFE EXPECTANCY----- 2 MILLION OPERATIONS  
 SHOCK----- 294 m/S\*S  
 VIBRATION----- 10- 55 Hz 98m/S\*S

**MATERIALS**

HOUSING----- HIGH TEMP. THERMO PLASTIC  
 INGRESS PROTECTION----- IP54



"C" LEVER DIRECTION

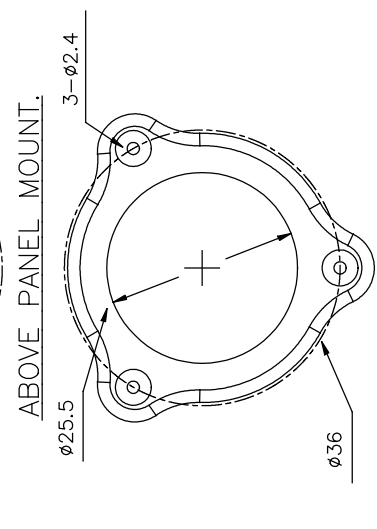
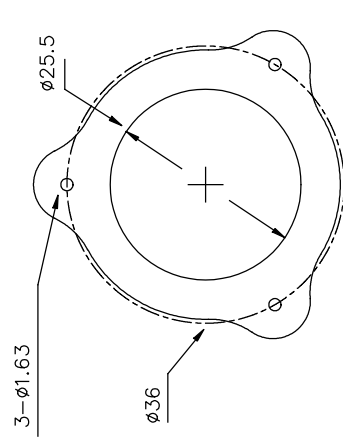
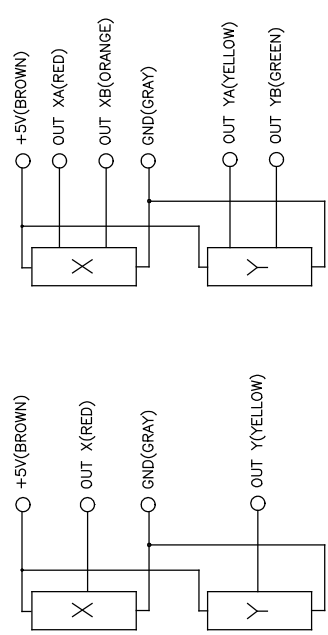


**NOMENCLATURE**

J25HM -S-1  
 No. OF OUTPUTS. (1 OR 2 POSSIBLE)  
 OUTPUT TYPE  
 JOYSTICK SERIES

**OUTPUT TYPE**

TYPE S : SINGLE OUTPUT TERMINAL A (TERMINAL B IS NC)  
 TYPE X: DUAL OUTPUT, CROSS  
 TYPE P: DUAL OUTPUT, PARALLEL



SCALE	DATE: 8-10-16
NONE	BY AT
	APPRV'D
CODE IDENT: 19477	

**ETI**  
 SYSTEMS  
 1954 KELLOGG AVE.  
 CARLSBAD, CA 92008  
 (760)-929-0749  
 ETISYSTEMS.COM

**TITLE**  
 HALL EFFECT  
 MINI-JOYSTICK

**PART NO.**  
 J25HM