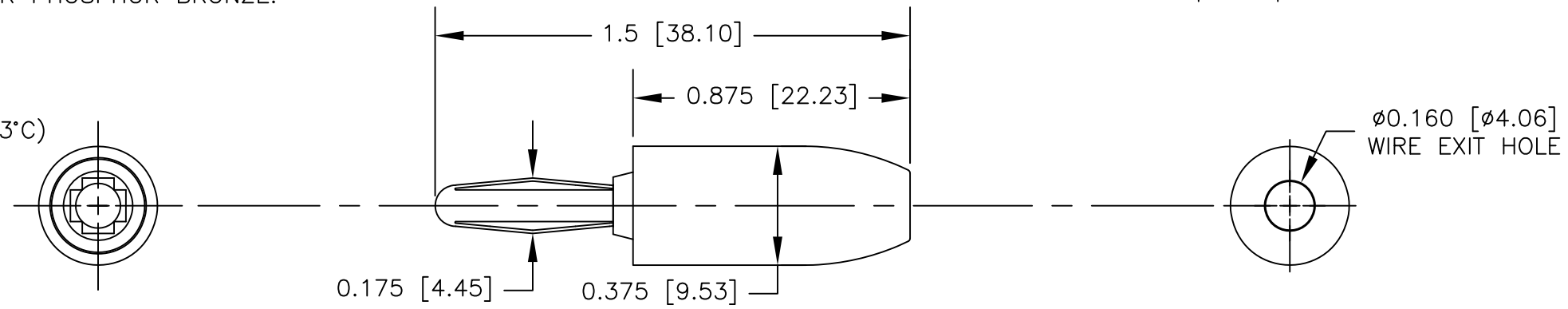


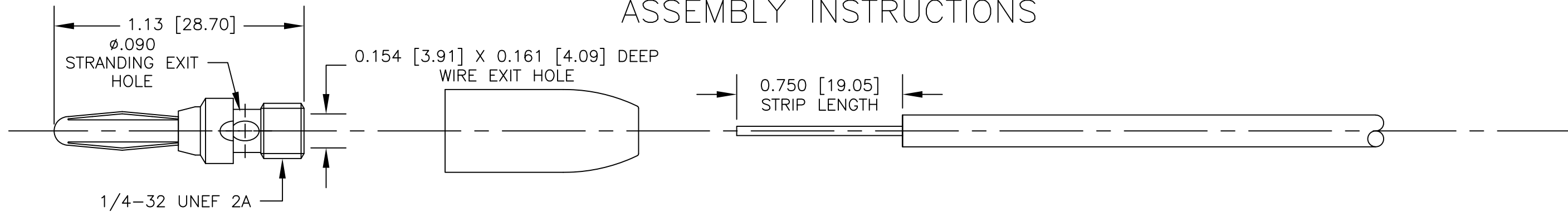
NOTES: UNLESS OTHERWISE SPECIFIED

- CONSTRUCTION:
HOUSING: MOLDED NYLON AVAILABLE IN ALL TEN COLORS
FRAME: NICKEL PLATED BRASS.
CONTACT: NICKEL PLATED BeCu OR PHOSPHOR BRONZE.
- PERFORMANCE:
MAXIMUM CURRENT: 15 AMPS
MAXIMUM VOLTAGE: 3500 VRMS
MAXIMUM TEMPERATURE: 200°F (93°C)

LTR	REVISIONS		DATE	APPROVED
	DESCRIPTION			

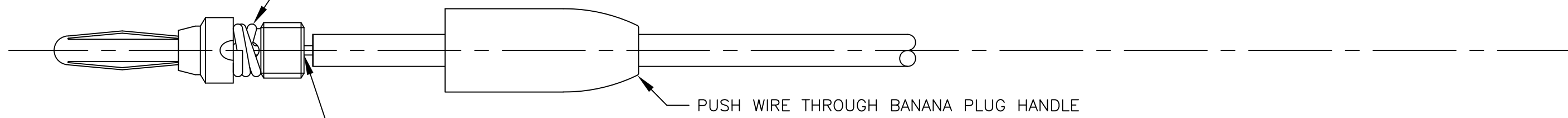


ASSEMBLY INSTRUCTIONS

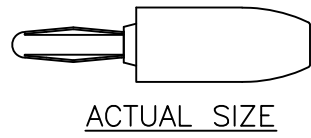
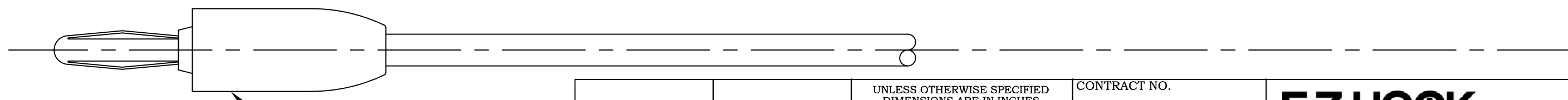


WRAP THE STRANDING UNDERNEATH THE THREADED SECTION OF THE BANANA PLUG IN A CLOCKWISE DIRECTION.

 NOTE: PLACING THE STRANDING ABOVE THE THREADED SECTION WILL CAUSE THE STRANDING TO BREAK OFF.



INSERT WIRE THROUGH WIRE EXIT HOLE. PUSH WIRE STRANDING THROUGH THE STRANDING EXIT HOLE.



		UNLESS OTHERWISE SPECIFIED DIMENSIONS ARE IN INCHES TOLERANCES ARE: FRACTIONS DECIMALS ANGLES $\pm N/A$.XX $\pm N/A$ $\pm N/A$.XXX $\pm N/A$		CONTRACT NO.		E-Z-HOOK DIVISION OF TEKTEST INC. ARCADIA, CA 91006 U.S.A.			
		MATERIAL SEE NOTE		APPROVALS	DATE			DESCRIPTION STANDARD BANANA PLUG	
		FINISH SEE NOTE		DRAWN	R.L.	4/17			
NEXT ASSY		USED ON		APPROVED BY		SIZE	CODE IDENT NO.	DRAWING NO.	REV.
APPLICATION		DO NOT SCALE DRAWING				B	08505	9202	
						SCALE	2:1		SHEET 1 OF 1