

UM-D37M/DS/FU/LED/DG/C300/R SH - Interface module



2905273

<https://www.phoenixcontact.com/us/products/2905273>

Please be informed that the data shown in this PDF document is generated from our online catalog. Please find the complete data in the user documentation. Our general terms of use for downloads are valid.

16-channel module for Honeywell C300 digital cards with disconnect, test points, socketed 1A fuses and fuse status indicator.



Your advantages

- These VARIOFACE modules are used in combination with the relevant front adapters
- UM-PRO housing
- Per channel disconnects with test points
- LED blown fusing indication
- Per channel shield connection
- Per channel pluggable 1 A fusing
- DIN rail mounting, includes grounding foot
- Digital module includes shield connection

Commercial data

Item number	2905273
Packing unit	1 pc
Minimum order quantity	1 pc
Note	Made to order (non-returnable)
Sales key	C421
Product key	CK21A3
GTIN	4046356947107
Weight per piece (including packing)	475.2 g
Weight per piece (excluding packing)	468.8 g
Customs tariff number	85371098
Country of origin	US

UM-D37M/DS/FU/LED/DG/C300/R SH - Interface module



2905273

<https://www.phoenixcontact.com/us/products/2905273>

Technical data

Product properties

Product type	Interface module
Product family	VARIOFACE
Number of positions	37
No. of channels	16

Electrical properties

Nominal voltage U_N	24 V DC
Max. current carrying capacity per branch	1 A
Max. total current of voltage supply	4 A (via D-SUB)

Supported controller HONEYWELL Experion PKS C300/C-Series

Suitable I/O card	TDIL01
	TDIL11

Connection data

Field level

Connection method	Screw connection with disconnect knife
Stripping length	8 mm
Screw thread	M 3
Conductor cross section rigid	0.2 mm ² ... 4 mm ²
Conductor cross section flexible	0.2 mm ² ... 2.5 mm ²
Conductor cross section AWG	24 ... 12

Controller level

Connection method	D-SUB pin strip
Number of connections	1
Number of positions	37

Signaling

Status display	No
Status display present	Yes, if the fuse fails

Dimensions

Item dimensions

Width	104 mm
Height	142.3 mm
Depth	79 mm

Environmental and real-life conditions

Ambient conditions

UM-D37M/DS/FU/LED/DG/C300/R SH - Interface module



2905273

<https://www.phoenixcontact.com/us/products/2905273>

Ambient temperature (operation)	-40 °C ... 60 °C
Ambient temperature (storage/transport)	-40 °C ... 75 °C

Standards and regulations

Standards/regulations	DIN EN 50178
-----------------------	--------------

Mounting

Mounting type	DIN rail mounting
Assembly instructions	in rows with zero spacing
Mounting position	any

Notes

General	For proper use, the specifications of the installation directive (see Downloads) must be observed. For applications or use with third-party products, the specifications, and the safety and warning instructions of the respective third-party manufacturer must also be met.
---------	--

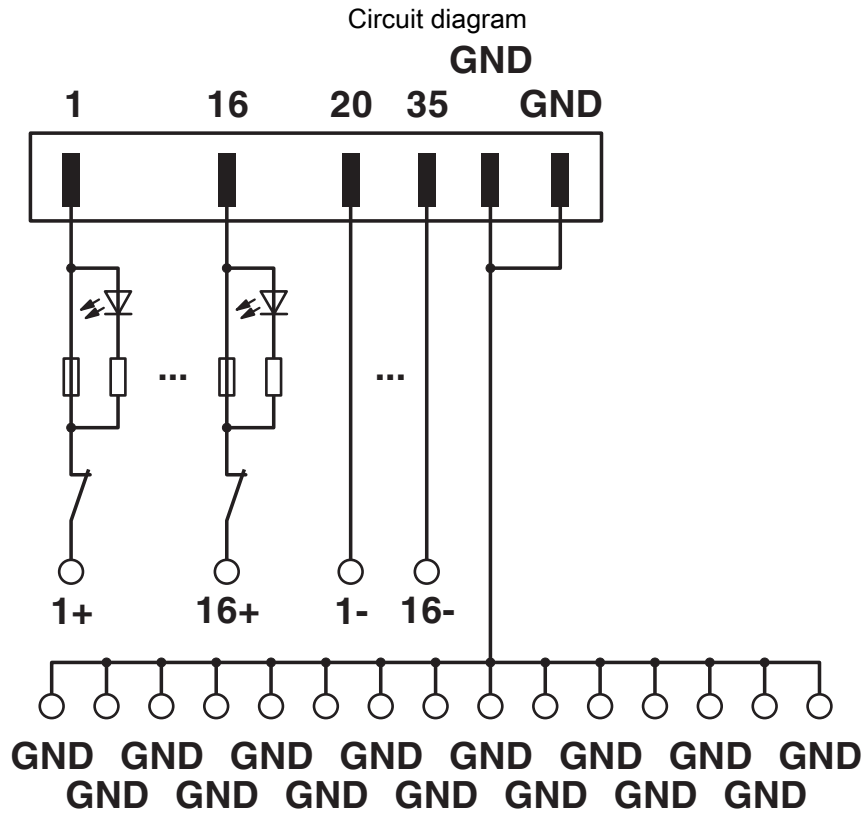
UM-D37M/DS/FU/LED/DG/C300/R SH - Interface module



2905273

<https://www.phoenixcontact.com/us/products/2905273>

Drawings



UM-D37M/DS/FU/LED/DG/C300/R SH - Interface module



2905273

<https://www.phoenixcontact.com/us/products/2905273>

Approvals

To download certificates, visit the product detail page: <https://www.phoenixcontact.com/us/products/2905273>



cUL Recognized
Approval ID: FILE E 238705



UL Recognized
Approval ID: FILE E 238705

cULus Recognized

UM-D37M/DS/FU/LED/DG/C300/R SH - Interface module



2905273

<https://www.phoenixcontact.com/us/products/2905273>

Classifications

ECLASS

ECLASS-11.0	27141152
ECLASS-12.0	27141152
ECLASS-13.0	27141152

ETIM

ETIM 9.0	EC002780
----------	----------

UNSPSC

UNSPSC 21.0	39121400
-------------	----------

UM-D37M/DS/FU/LED/DG/C300/R SH - Interface module



2905273

<https://www.phoenixcontact.com/us/products/2905273>

Environmental product compliance

EU RoHS

Fulfills EU RoHS substance requirements	Yes
Exemption	6(c)

China RoHS

Environment friendly use period (EFUP)	EFUP-50
	An article-related China RoHS declaration table can be found in the download area for the respective article under "Manufacturer declaration". For all articles with EFUP-E, no China RoHS declaration table issued and required.

EU REACH SVHC

REACH candidate substance (CAS No.)	Lead(CAS: 7439-92-1)
SCIP	cbd26852-cc5f-4218-926d-4beb1c6e08e7

UM-D37M/DS/FU/LED/DG/C300/R SH - Interface module



2905273

<https://www.phoenixcontact.com/us/products/2905273>

Mandatory accessories

FLKM-PA-D37/HW/C300 - Front adapter

2322029

<https://www.phoenixcontact.com/us/products/2322029>



VARIOFACE front adapters, for Honeywell C300, series C I/O, max. 1x 16 channels (37-pos. D-SUB connector) can be connected

FLKM-PA-D37/HW/DIO/C300 - Front adapter

2901423

<https://www.phoenixcontact.com/us/products/2901423>



VARIOFACE front adapter, for Honeywell C300, Series C I/O, maximum of 1x 16 channels can be connected (37-pos. D-SUB connector). Specifically for connecting digital, redundant I/O cards.

Accessories

UM-D37M/DS/FU/LED/DG/C300/R SH - Interface module



2905273

<https://www.phoenixcontact.com/us/products/2905273>

CABLE-D37SUB/B/B/ 100/KONFEK/S - Cable

2305509

<https://www.phoenixcontact.com/us/products/2305509>



Assembled shielded round cable; connection 1: D-SUB socket strip (1x 37-position); connection 2: D-SUB socket strip (1x 37-position); cable length: 1 m

CABLE-D37SUB/B/B/ 200/KONFEK/S - Cable

2305512

<https://www.phoenixcontact.com/us/products/2305512>



Assembled shielded round cable; connection 1: D-SUB socket strip (1x 37-position); connection 2: D-SUB socket strip (1x 37-position); cable length: 2 m

UM-D37M/DS/FU/LED/DG/C300/R SH - Interface module



2905273

<https://www.phoenixcontact.com/us/products/2905273>

CABLE-D37SUB/B/B/ 300/KONFEK/S - Cable

2305525

<https://www.phoenixcontact.com/us/products/2305525>



Assembled shielded round cable; connection 1: D-SUB socket strip (1x 37-position); connection 2: D-SUB socket strip (1x 37-position); cable length: 3 m

CABLE-D37SUB/B/B/ 400/KONFEK/S - Cable

2900759

<https://www.phoenixcontact.com/us/products/2900759>



Assembled shielded round cable; connection 1: D-SUB socket strip (1x 37-position); connection 2: D-SUB socket strip (1x 37-position); cable length: 4 m

UM-D37M/DS/FU/LED/DG/C300/R SH - Interface module



2905273

<https://www.phoenixcontact.com/us/products/2905273>

CABLE-D37SUB/B/B/ 600/KONFEK/S - Cable

2900760

<https://www.phoenixcontact.com/us/products/2900760>



Assembled shielded round cable; connection 1: D-SUB socket strip (1x 37-position); connection 2: D-SUB socket strip (1x 37-position); cable length: 6 m

CABLE-D37SUB/B/B/ 800/KONFEK/S - Cable

2900761

<https://www.phoenixcontact.com/us/products/2900761>



Assembled shielded round cable; connection 1: D-SUB socket strip (1x 37-position); connection 2: D-SUB socket strip (1x 37-position); cable length: 8 m

UM-D37M/DS/FU/LED/DG/C300/R SH - Interface module



2905273

<https://www.phoenixcontact.com/us/products/2905273>

CABLE-D37SUB/B/B/1000/KONFEK/S - Cable

2900762

<https://www.phoenixcontact.com/us/products/2900762>



Assembled shielded round cable; connection 1: D-SUB socket strip (1x 37-position); connection 2: D-SUB socket strip (1x 37-position); cable length: 10 m

CABLE-D37SUB/B/B/1500/KONFEK/S - Cable

2900763

<https://www.phoenixcontact.com/us/products/2900763>



Assembled shielded round cable; connection 1: D-SUB socket strip (1x 37-position); connection 2: D-SUB socket strip (1x 37-position); cable length: 15 m

UM-D37M/DS/FU/LED/DG/C300/R SH - Interface module



2905273

<https://www.phoenixcontact.com/us/products/2905273>

CABLE-D37SUB/B/B/2000/KONFEK/S - Cable

2900764

<https://www.phoenixcontact.com/us/products/2900764>



Assembled shielded round cable; connection 1: D-SUB socket strip (1x 37-position); connection 2: D-SUB socket strip (1x 37-position); cable length: 20 m

CABLE-D37SUB/B/B/2500/KONFEK/S - Cable

2902074

<https://www.phoenixcontact.com/us/products/2902074>



Assembled shielded round cable; connection 1: D-SUB socket strip (1x 37-position); connection 2: D-SUB socket strip (1x 37-position); cable length: 25 m

UM-D37M/DS/FU/LED/DG/C300/R SH - Interface module



2905273

<https://www.phoenixcontact.com/us/products/2905273>

CABLE-D37SUB/B/B/3000/KONFEK/S - Cable

2902075

<https://www.phoenixcontact.com/us/products/2902075>



Assembled shielded round cable; connection 1: D-SUB socket strip (1x 37-position); connection 2: D-SUB socket strip (1x 37-position); cable length: 30 m

CABLE-D37SUB/B/B/3500/KONFEK/S - Cable

2902076

<https://www.phoenixcontact.com/us/products/2902076>



Assembled shielded round cable; connection 1: D-SUB socket strip (1x 37-position); connection 2: D-SUB socket strip (1x 37-position); cable length: 35 m

UM-D37M/DS/FU/LED/DG/C300/R SH - Interface module



2905273

<https://www.phoenixcontact.com/us/products/2905273>

CABLE-D37SUB/B/B/4000/KONFEK/S - Cable

2902077

<https://www.phoenixcontact.com/us/products/2902077>



Assembled shielded round cable; connection 1: D-SUB socket strip (1x 37-position); connection 2: D-SUB socket strip (1x 37-position); cable length: 40 m

CABLE-D37SUB/B/B/HF/S/ 1,0M - Cable

2908516

<https://www.phoenixcontact.com/us/products/2908516>



Assembled, shielded, halogen-free round cable; connection 1: D-SUB socket strip (1x 37-position); connection 2: D-SUB socket strip (1x 37-position); cable length: 1 m

UM-D37M/DS/FU/LED/DG/C300/R SH - Interface module



2905273

<https://www.phoenixcontact.com/us/products/2905273>

CABLE-D37SUB/B/B/HF/S/ 2,0M - Cable

2908517

<https://www.phoenixcontact.com/us/products/2908517>



Assembled, shielded, halogen-free round cable; connection 1: D-SUB socket strip (1x 37-position); connection 2: D-SUB socket strip (1x 37-position); cable length: 2 m

CABLE-D37SUB/B/B/HF/S/ 3,0M - Cable

2908518

<https://www.phoenixcontact.com/us/products/2908518>



Assembled, shielded, halogen-free round cable; connection 1: D-SUB socket strip (1x 37-position); connection 2: D-SUB socket strip (1x 37-position); cable length: 3 m

UM-D37M/DS/FU/LED/DG/C300/R SH - Interface module



2905273

<https://www.phoenixcontact.com/us/products/2905273>

CABLE-D37SUB/B/B/HF/S/10,0M - Cable

2908522

<https://www.phoenixcontact.com/us/products/2908522>



Assembled, shielded, halogen-free round cable; connection 1: D-SUB socket strip (1x 37-position); connection 2: D-SUB socket strip (1x 37-position); cable length: 10 m

CABLE-D37SUB/B/B/HF/S/15,0M - Cable

2908523

<https://www.phoenixcontact.com/us/products/2908523>



Assembled, shielded, halogen-free round cable; connection 1: D-SUB socket strip (1x 37-position); connection 2: D-SUB socket strip (1x 37-position); cable length: 15 m

UM-D37M/DS/FU/LED/DG/C300/R SH - Interface module



2905273

<https://www.phoenixcontact.com/us/products/2905273>

CABLE-D37SUB/B/B/HF/S/20,0M - Cable

2908525

<https://www.phoenixcontact.com/us/products/2908525>



Assembled, shielded, halogen-free round cable; connection 1: D-SUB socket strip (1x 37-position); connection 2: D-SUB socket strip (1x 37-position); cable length: 20 m

CABLE-D37SUB/B/B/HF/S/25,0M - Cable

2908526

<https://www.phoenixcontact.com/us/products/2908526>



Assembled, shielded, halogen-free round cable; connection 1: D-SUB socket strip (1x 37-position); connection 2: D-SUB socket strip (1x 37-position); cable length: 25 m

UM-D37M/DS/FU/LED/DG/C300/R SH - Interface module



2905273

<https://www.phoenixcontact.com/us/products/2905273>

CABLE-D37SUB-B-B-HF-S/... - Cable

1075563

<https://www.phoenixcontact.com/us/products/1075563>



Assembled, shielded, halogen-free round cable; connection 1: D-SUB socket strip (1x 37-position); connection 2: D-SUB socket strip (1x 37-position); cable length: variable

FUSE/TE5/1A/F-10PCS - Fuse set

2905277

<https://www.phoenixcontact.com/us/products/2905277>



Plug-in fuse (TE5[®]); nominal current: 1 A; tripping behavior: fast-blow (F)

Phoenix Contact 2024 © - all rights reserved
<https://www.phoenixcontact.com>

Phoenix Contact USA
586 Fulling Mill Road
Middletown, PA 17057, United States
(+717) 944-1300
info@phoenixcon.com