

VIP-3/PT/HD26SUB/F - Interface module



2904273

<https://www.phoenixcontact.com/us/products/2904273>

Please be informed that the data shown in this PDF document is generated from our online catalog. Please find the complete data in the user documentation. Our general terms of use for downloads are valid.



VARIOFACE module, with push-in connections and high density D-SUB miniature socket-strip, for mounting on NS 35 rails, no. of pos.: 26

Commercial data

Item number	2904273
Packing unit	1 pc
Minimum order quantity	1 pc
Sales key	C423
Product key	CK2451
Catalog page	Page 558 (C-5-2019)
GTIN	4046356814829
Weight per piece (including packing)	146.4 g
Weight per piece (excluding packing)	144.3 g
Customs tariff number	85366990
Country of origin	US

VIP-3/PT/HD26SUB/F - Interface module



2904273

<https://www.phoenixcontact.com/us/products/2904273>

Technical data

Product properties

Product type	Interface module
Product family	VARIOFACE Professional
Number of positions	26

Insulation characteristics

Overvoltage category	II
Pollution degree	2

Electrical properties

Nominal voltage U_N	25 V AC
	60 V DC
Max. current carrying capacity per branch	1 A
Rated surge voltage	1.2 kV

Connection data

Field level

Connection in acc. with standard	IEC / EN
Connection method	Push-in connection
Stripping length	8 mm
Screw thread	M3
Number of positions	26
Conductor cross section rigid	0.14 mm ² ... 2.5 mm ²
Conductor cross section flexible	0.14 mm ² ... 2.5 mm ²
Conductor cross section AWG	24 ... 12

Controller level

Connection method	High-density D-SUB socket strip
Number of connections	1
Number of positions	26

Signaling

Status display	No
Status display present	No

Dimensions

Item dimensions

Width	52 mm
Height	75.8 mm
Depth	63 mm

Material specifications

VIP-3/PT/HD26SUB/F - Interface module



2904273

<https://www.phoenixcontact.com/us/products/2904273>

Color	gray (RAL 7042)
Flammability rating according to UL 94	V0
Housing insulation material	Polyamide 6.6 green

Environmental and real-life conditions

Ambient conditions

Ambient temperature (operation)	-20 °C ... 50 °C
Ambient temperature (storage/transport)	-20 °C ... 70 °C

Standards and regulations

Standards/regulations	EN 50178
-----------------------	----------

Mounting

Mounting type	DIN rail mounting
Mounting position	any

Notes

General	For proper use, the specifications of the installation directive (see Downloads) must be observed. For applications or use with third-party products, the specifications, and the safety and warning instructions of the respective third-party manufacturer must also be met.
---------	--

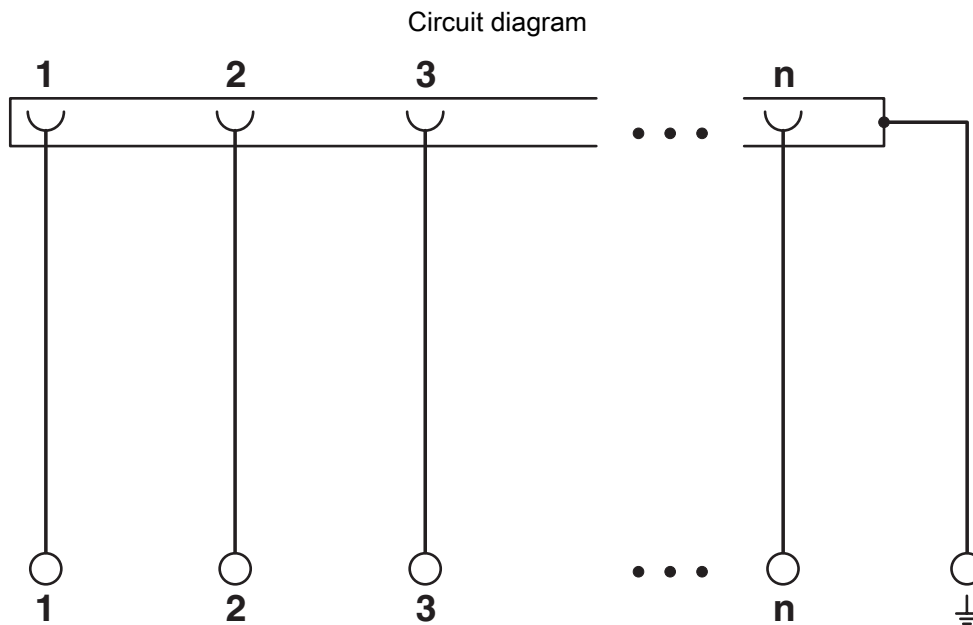
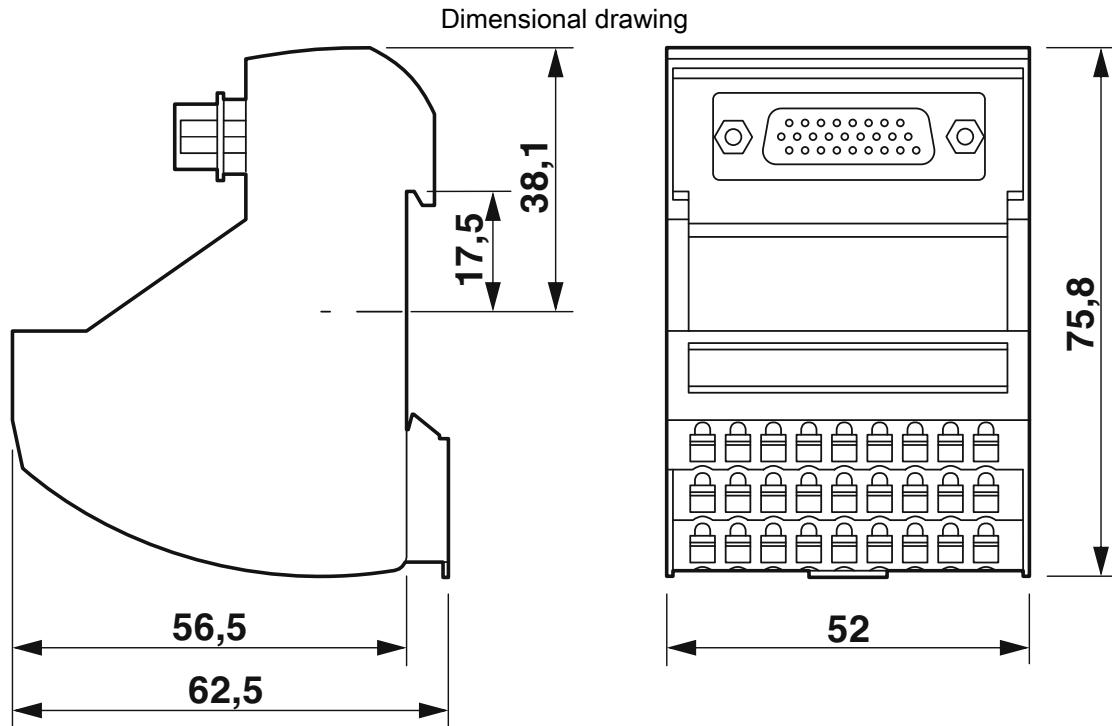
VIP-3/PT/HD26SUB/F - Interface module



2904273

<https://www.phoenixcontact.com/us/products/2904273>

Drawings



VIP-3/PT/HD26SUB/F - Interface module





2904273


<https://www.phoenixcontact.com/us/products/2904273>


Approvals

To download certificates, visit the product detail page: <https://www.phoenixcontact.com/us/products/2904273>

 CSA Approval ID: 2122203				
	Nominal voltage U_N	Nominal current I_N	Cross section AWG	Cross section mm^2
	105 V	1 A	26 - 14	-

 cUL Recognized Approval ID: FILE E 238705				
	Nominal voltage U_N	Nominal current I_N	Cross section AWG	Cross section mm^2
	125 V	1 A	26 - 14	-

 UL Recognized Approval ID: FILE E 238705				
	Nominal voltage U_N	Nominal current I_N	Cross section AWG	Cross section mm^2
	125 V	1 A	26 - 14	-

 CSAus Approval ID: 2122203				
	Nominal voltage U_N	Nominal current I_N	Cross section AWG	Cross section mm^2
	105 V	1 A	28 - 14	-

cULus Recognized				
-------------------------	--	--	--	--

cCSAus				
---------------	--	--	--	--

VIP-3/PT/HD26SUB/F - Interface module



2904273

<https://www.phoenixcontact.com/us/products/2904273>

Classifications

ECLASS

ECLASS-11.0	27141152
ECLASS-12.0	27141152
ECLASS-13.0	27141152

ETIM

ETIM 9.0	EC002780
----------	----------

UNSPSC

UNSPSC 21.0	39121400
-------------	----------

2904273

<https://www.phoenixcontact.com/us/products/2904273>

Environmental product compliance

EU RoHS

Fulfills EU RoHS substance requirements	Yes
Exemption	6(c)

China RoHS

Environment friendly use period (EFUP)	EFUP-50
	An article-related China RoHS declaration table can be found in the download area for the respective article under "Manufacturer declaration". For all articles with EFUP-E, no China RoHS declaration table issued and required.

EU REACH SVHC

REACH candidate substance (CAS No.)	Lead(CAS: 7439-92-1)
SCIP	d47d2667-b11a-4a14-afc0-5495e7f365e3

Phoenix Contact 2024 © - all rights reserved

<https://www.phoenixcontact.com>

Phoenix Contact USA
586 Fulling Mill Road
Middletown, PA 17057, United States
(+717) 944-1300
info@phoenixcon.com