

M-FLEX CAN 4I-4O CONTROLLER

The M-Flex CAN 4I-4O Controller is designed for severe duty, outdoor mobile applications and built to withstand the harsh temperatures, shock and vibration, moisture and electrical transients that are common to these environments.



M-Flex Controllers are typically used for construction, agriculture and turf care equipment, utility and power sports vehicles, marine, military, outdoor power equipment and similar harsh environment applications.



FEATURES

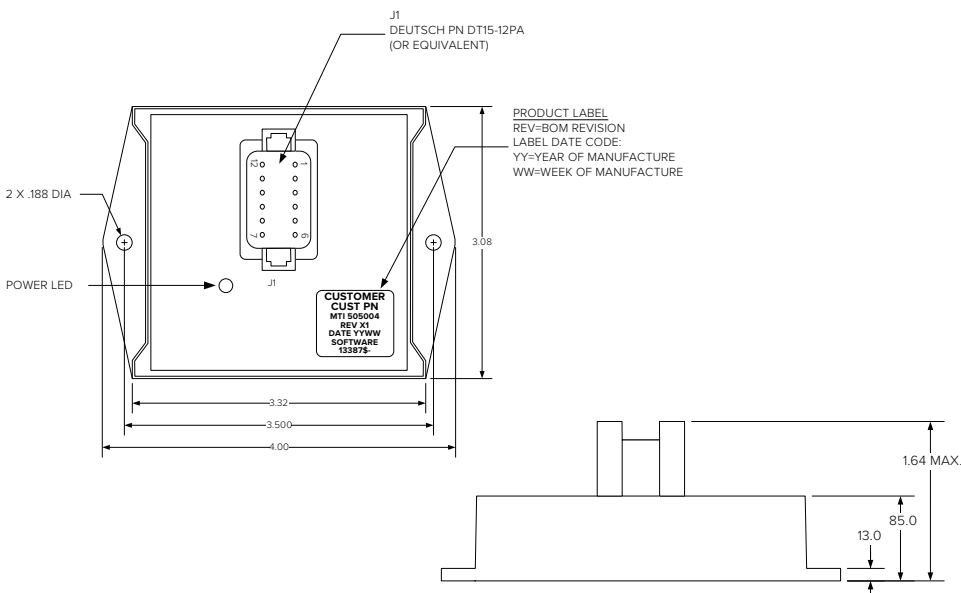
- Designed for severe duty, outdoor mobile applications.
- Designed for 12V and 24V applications.
- Configurable inputs and outputs for customizing controller to each application.
- Outputs have closed-loop current sensing for accurate control of proportional valves.
- 250/500-Kbps auto baud detect.
- Fully encapsulated electronics for complete environmental protection.
- Deutsch DT style connector.
- Bi-color status indicator.
- IP67 and IP69K rated (with appropriate connector boots).
- RoHS compliant.
- Multiple programming options:
 - User-programmable software tool provided by Marlin.
 - Custom application programming provided by Marlin.

SPECIFICATIONS

Specifications subject to change without notice. \ Revised 07.20

| | |
|------------------------------|--|
| Supply Voltage | 8-36VDC operating range, reverse polarity protected |
| Max Current | 12A max current, 3A per output |
| CAN Protocol | SAE J1939, CAN Open, NMEA2000 |
| Inputs | (2) inputs configurable as Analog, Digital, or Frequency (2) inputs configurable as Analog or Digital |
| Outputs | (4) Half-bridge (High-Side or Low-Side) Up to 4 at a time can be PWM |
| Indicators | (1) green LED status indicator |
| Connector | Deutsch DT04-12 |
| Mounting | (2) M6 or 1/4" screws |
| Ingress Protection | IP67 and IP69K rated (with appropriate connector boots) |
| Operating Temperature | -40 to 85C |
| Storage Temperature | -40 to 85C |
| Packaging | 3.0" x 3.0" x 0.87" Noryl housing with integral mounting tabs, electronics fully encapsulated |
| Baud Rate | Auto detection for 250/500 kbps |
| Weight (oz.) | 5.5 oz. |

DIMENSIONS



For a detailed specification visit
marlintech.com/m-flex

Marlin Technologies, Inc.
 101 Industrial Drive \ P.O. Box 123
 Horicon, WI 53032-1803
 920.485.4463 \ P
 920.485.2899 \ F

MARLINTECH.COM
 PROUDLY MADE IN THE USA