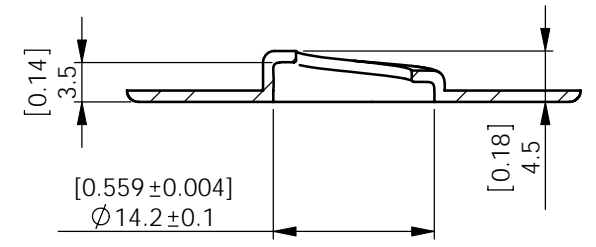
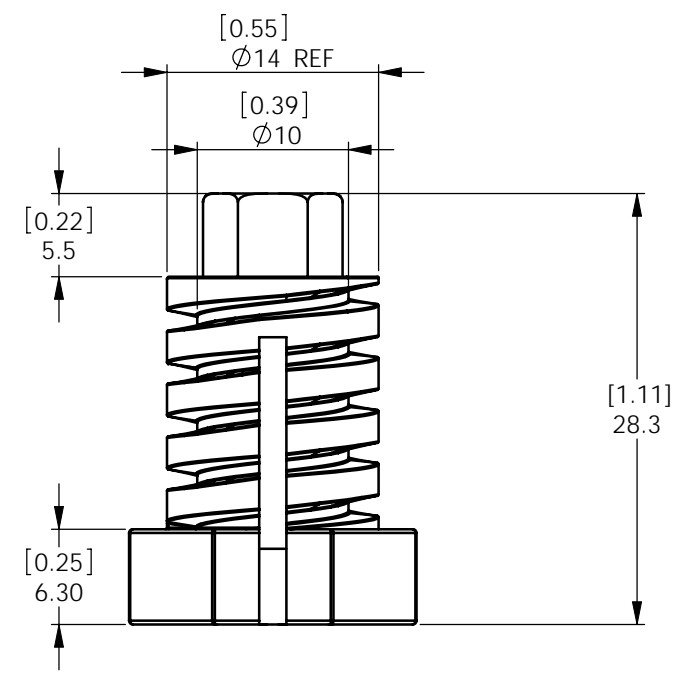
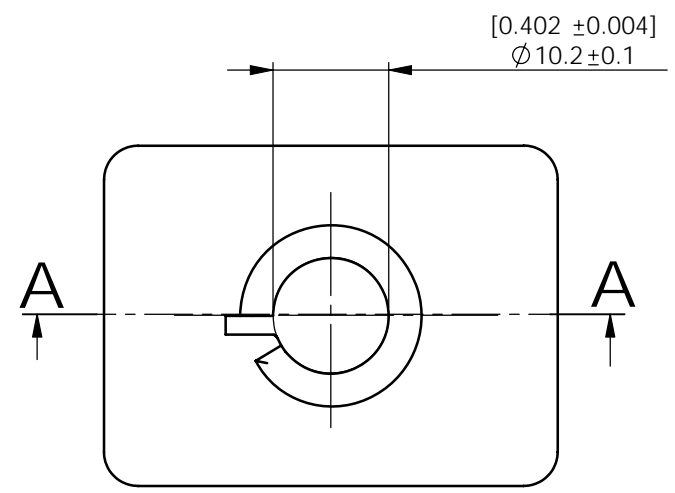
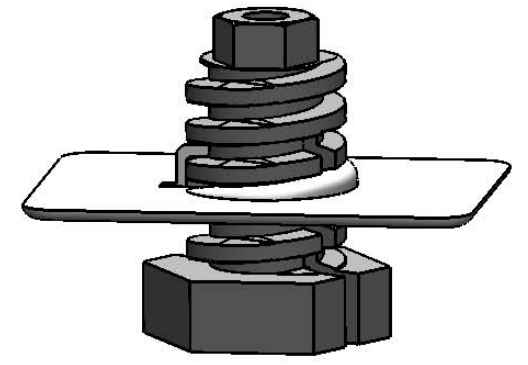
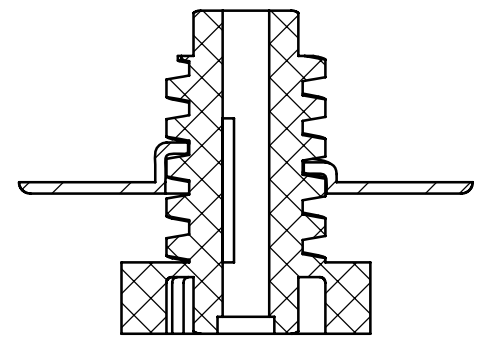
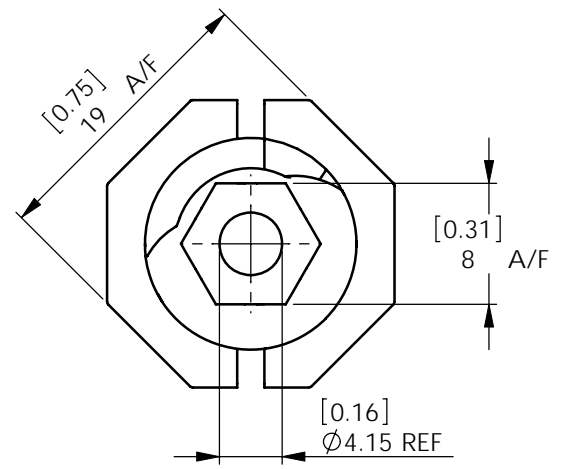


REV.	MODIFICATION.	DATE	DRN
01	Sales Drawing	03/09/09	PH
02	CO2010857	30/11/09	PH



ALTERNATE UNITS FOR REFERENCE ONLY

INFORMATION CONTAINED IN THIS DOCUMENT IS CONFIDENTIAL TO RICHCO INTERNATIONAL Co. Ltd. AND MAY NOT BE DISCLOSED OR REPRODUCED IN WHOLE OR PART WITHOUT THEIR WRITTEN CONSENT.

RICHCO, INC. WWW.RICHCO-INC.COM	ALL DIMENSIONS IN mm GENERAL TOLERANCES ±0.25 UNLESS OTHERWISE STATED 1 DECIMAL PLACE ± 2 DECIMAL PLACES ± ANGULAR ±1°	THIRD ANGLE

MATERIAL: Nylon 6/6 - UL94 HB (RMS-18)	COLOUR: Black
---	------------------

DESCRIPTION: Leveling Foot	PART No: LF-1
-------------------------------	------------------

DRG No: 09-090	NPR No: GB09-0026	SHEET SIZE A4
-------------------	----------------------	------------------

DRN PH	DATE 03/09/09	CHKD PH	DATE 04/09/09	SCALE NTS	SHEET No. 1 OF 1
-----------	------------------	------------	------------------	--------------	---------------------

PART NUMBER	PANEL THICKNESS	THREAD PITCH
LF-1	1 (0.040)	3.5 (0.138)