

# 6002, 6004, 6024 SERIES

## Straight Line Action Clamps | Product Overview

### Features:

- Similar size to the 602/604/624 Series with solid body
- 2-3 times more holding capacity than 602/604/624 in a similar envelope size
- Mounts through a hole or in a tapped hole
- Toggle Lock Plus™ -R versions available
- Stainless Steel -SS versions available
- Locks over center in the extended/retracted position
- 5 handle colors - see page MC-PRO-7 for details

Covered under one or more U.S./International Patents

### Applications:

- Assembly
- Checking fixtures
- Welding fixtures
- Tensioning devices

### Also Available:

See page MC-ACC-1 for accessories



**Color Handles**  
Available on models in this series. Add -Y, -G, -B, -K to end of model number.

6002/-SS

6002-MM/-MMSS



6004/-SS

6004-MM/-MMSS



6024/-SS

6024-MM/-MMSS



6002-R/-RSS

6002-MMR/-MMRSS  
with DESTACO® Toggle  
Lock Plus™



6004-R/-RSS

6004-MMR/-MMRSS  
with DESTACO® Toggle  
Lock Plus™

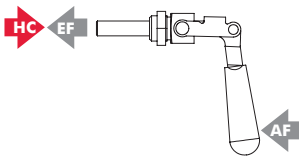


6024-R/-RSS

6024-MMR/-MMRSS  
with DESTACO® Toggle  
Lock Plus™



## Technical Information | Holding Capacities | Dimensions



Model	Max. Holding Capacity	Weight	EF:AF (pushing)	Plunger Travel	(M) Plunger Thread	Spindle (Recommended)	Mounting Nut (Supplied)				
6002	[400 lbf] 1780 N	[0.44 lb] 0.2 kg	20:1	[0.75 in] 19 mm	1/4-20	205203	602105				
6002-SS						202943	602905				
6002-MM						M6	205203-M	602105-M			
6002-MMSS							202943-M	602905-M			
6002-R		[0.55 lb] 0.25 kg			[0.90 lb] 0.41 kg	14.4:1	[1.50 in] 38 mm	1/4-20	205203	602105	
6002-RSS									202943	602905	
6002-MMR									M6	205203-M	602105-M
6002-MMRSS										202943-M	602905-M
6004	[600 lbf] 2670 N	[0.73 lb] 0.33 kg	21:1	[2.60 in] 66 mm	5/16-18			207203	606104		
6004-SS								207943	606904		
6004-MM								M8	207203-M	606104-M	
6004-MMSS									207943-M	606904-M	
6004-R		[0.90 lb] 0.41 kg			[3.53 lb] 1.6 kg	14.4:1	[2.60 in] 66 mm	5/16-18	207203	606104	
6004-RSS									207943	606904	
6004-MMR									M8	207203-M	606104-M
6004-MMRSS										207943-M	606904-M
6024	[2100 lbf] 9340 N	[3.17 lb] 1.44 kg	21:1	[2.60 in] 66 mm	3/8-16			210203	624105		
6024-SS								237943	624905		
6024-MM								M10	210203-M	624105-M	
6024-MMSS									237943-M	624905-M	
6024-R		[3.53 lb] 1.6 kg			[3.53 lb] 1.6 kg	21:1	[2.60 in] 66 mm	3/8-16	210203	624105	
6024-RSS									237943	624905	
6024-MMR									M10	210203-M	624105-M
6024-MMRSS										237943-M	624905-M

HC = Holding Capacity, EF = Exerting Force, AF = Applied Force

# 6002, 6004, 6024 SERIES

Straight Line Action Clamps | Dimensions | -MM/-R/-MMR

6002/-SS  
6002-MM/-MMSS



6002-R/-RSS  
6002-MMR/-MMRSS  
with DESTACO® Toggle  
Lock Plus™

6004/-SS  
6004-MM/-MMSS

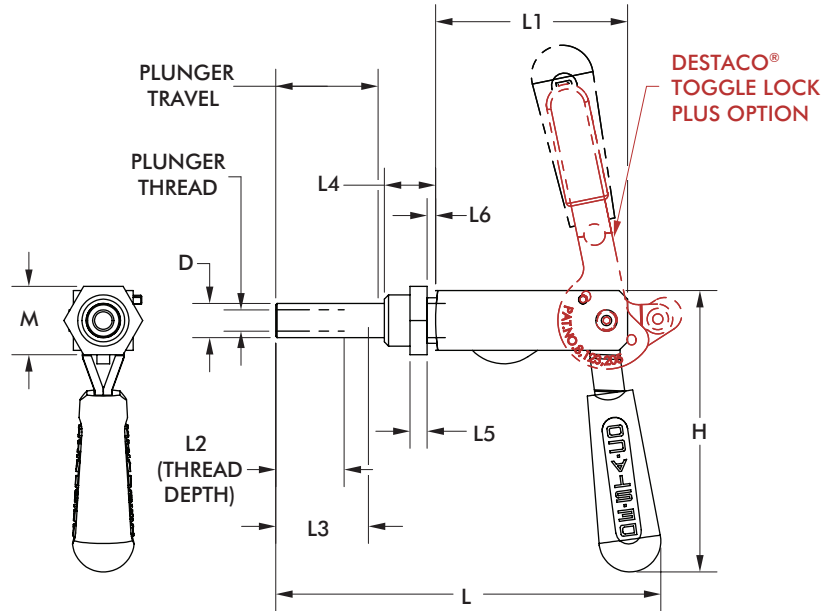
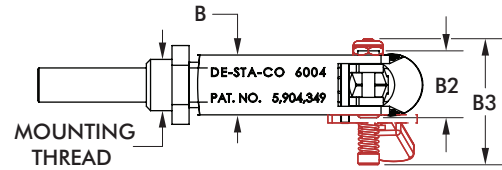
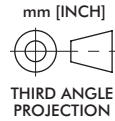


6004-R/-RSS  
6004-MMR/-MMRSS  
with DESTACO® Toggle  
Lock Plus™

6024/-SS  
6024-MM/-MMSS



6024-R/-RSS  
6024-MMR/-MMRSS  
with DESTACO® Toggle  
Lock Plus™



Model	B	B2	B3	H	L	L1	L2	L3	L4	L5	L6	D	M	Plunger Thread	Mounting Thread
6002														1/4-20	5/8-18
6002-SS		[0.98]	--												
6002-MM		25.0												M6	M16x1.5
6002-MMSS	[0.89]			[3.11]	[3.37]	[1.93]	[0.79]	--	[0.63]	[0.25]	[0.12]	[0.39]	[0.87]		
6002-R	22.5			79.1	85.6	49.0	20.0		15.9	6.4	3.0	10.0	22.2	1/4-20	5/8-18
6002-RSS		--	[1.87]												
6002-MMR			47.4											M6	M16x1.5
6002-MMRSS															
6004														5/16-18	3/4-16
6004-SS		[0.98]	--	[4.11]	[5.63]										
6004-MM		24.8		104.5	143.1									M8	M20x1,5
6004-MMSS	[0.75]					[2.81]	[1.00]	[1.35]	[0.75]	[0.25]	[0.13]	[0.50]	[1.00]		
6004-R	19.1					71.4	25.4	34.4	19.1	6.4	3.2	12.7	25.4	5/16-18	3/4-16
6004-RSS		--	[1.84]	[4.52]	[5.69]										
6004-MMR			46.8	114.7	144.5									M8	M20x1,5
6004-MMRSS															
6024														3/8-16	1-14
6024-SS		[2.37]	--												
6024-MM		60.3												M10	M27x2
6024-MMSS	[1.63]			[5.67]	[8.37]	[4.63]	[1.50]	--	[1.06]	[0.25]	[0.11]	[0.63]	[1.50]		
6024-R	41.3			144.0	212.6	117.5	38.0		26.9	6.4	2.9	16.0	38.1	3/8-16	1-14
6024-RSS		--	[3.25]												
6024-MMR			82.6											M10	M27x2
6024-MMRSS															