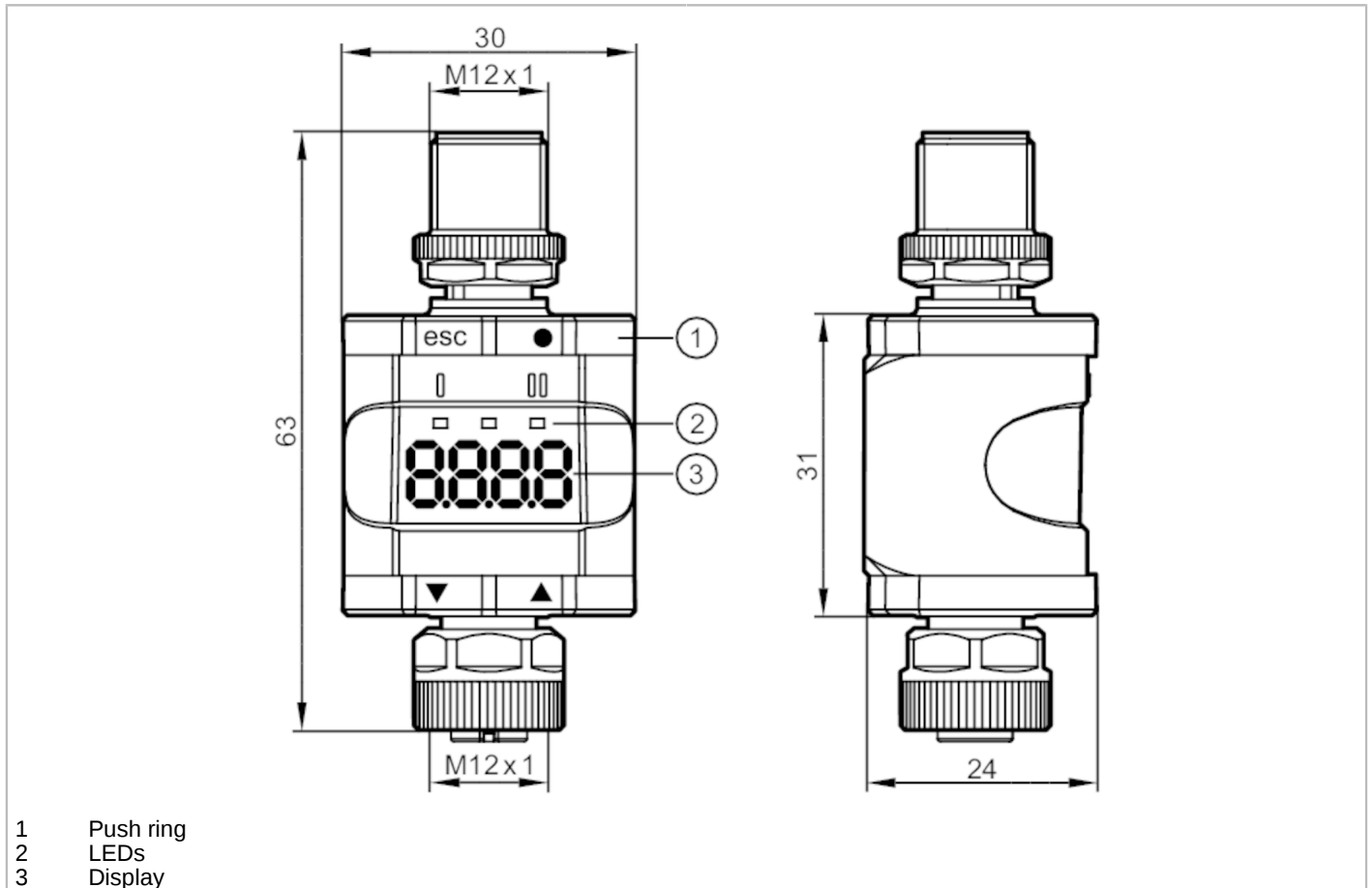


# DP2302



## Electronic counter

Monitoring Display-Counter



Product characteristics	
Electrical design	PNP/NPN
Output function	normally open / closed; (configurable)
Communication interface	IO-Link
Dimensions [mm]	63 x 30 x 24
Electrical data	
Operating voltage [V]	18...30 DC; (to SELV/PELV)
Nominal voltage DC [V]	24
Current consumption [mA]	< 380
Max. current load total [A]	0.2
Inputs / outputs	
Number of inputs and outputs	Number of digital inputs: 2; Number of digital outputs: 2
Inputs	
Number of digital inputs	2; (Counting input: 1; Counting direction/Latch: 1; IEC61131-2)
Input current limitation [mA]	200
Outputs	
Electrical design	PNP/NPN
Number of digital outputs	2
Output function	normally open / closed; (configurable)

# DP2302



## Electronic counter

Monitoring Display-Counter

Short-circuit proof	yes
---------------------	-----

### Measuring/setting range

Sampling rate [Hz]	< 2000
--------------------	--------

### Interfaces

Communication interface	IO-Link				
Transmission type	COM2 (38,4 kBaud)				
IO-Link revision	1.1				
SDCI standard	IEC 61131-9				
Profiles	Smart Sensor: Measuring Sensor (High resolution, Disable function); Identification and Diagnosis; Switching Signal Channel; Adjustable Switching Signal Channel				
SIO mode	yes				
Required master port class	A				
Process data binary	1				
Min. process cycle time [ms]	6.1				
Supported DeviceIDs	<table><thead><tr><th>Type of operation</th><th>DeviceID</th></tr></thead><tbody><tr><td>default</td><td>1169</td></tr></tbody></table>	Type of operation	DeviceID	default	1169
Type of operation	DeviceID				
default	1169				

### Operating conditions

Ambient temperature [°C]	-25...60
Note on ambient temperature	2000 m: -25...60 °C 3000 m: -25...53 °C 4000 m: -25...51 °C
Storage temperature [°C]	-25...60
Max. relative air humidity [%]	90; (linearly decreasing to 50 % (40 °C) non condensing)
Max. height above sea level [m]	4000
Protection	IP 67
Degree of soiling	2

### Tests / approvals

MTTF [years]	317
--------------	-----

### Mechanical data

Weight [g]	84.2
Weight (without accessories and packaging) [g]	35
Dimensions [mm]	63 x 30 x 24
Material	housing: PA

### Displays / operating elements

Display	Power	1 x LED, green
	Switching output	2 x LED, yellow
		7-segment LED display, red/green configurable
Operating elements	2	Push ring

### Accessories

Accessories (optional)	mounting clip
------------------------	---------------

### Remarks

Remarks	Further information is available in the manual.
Pack quantity	1 pcs.

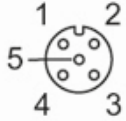
# DP2302



## Electronic counter

Monitoring Display-Counter

### Electrical connection - Socket



1: L+	
2: IN 2	Counting direction / Latch
3: L-	
4: IN 1	Counting input
5:	not used

### Electrical connection - plug



1: L+	supply voltage
2: OUT2	Digital output 2
3: L-	supply voltage
4: OUT1	IO-Link / Digital output 1

### Other data

main counter	0...1000000 cnt
batch counter:	0...9999 bcnt