

SI-FP-R1A-D1B-U1A/0,7 - Front plate



1404504

<https://www.phoenixcontact.com/pc/products/1404504>

Please be informed that the data shown in this PDF document is generated from our online catalog. Please find the complete data in the user documentation. Our general terms of use for downloads are valid.

Front plate with contact inserts, plastic with shroud, 1 x USB (socket/socket/0.7 m cable) type A;
1 x 9-pos. D-SUB (socket/pin); 1 x RJ45, 8-pos. metal, CAT5e (socket/socket)



Commercial data

Item number	1404504
Packing unit	1 pc
Minimum order quantity	1 pc
Product key	BF7EDX
Catalog page	Page 710 (C-2-2019)
GTIN	4046356698467
Weight per piece (including packing)	85.6 g
Weight per piece (excluding packing)	85.6 g
Customs tariff number	85366990
Country of origin	DE

SI-FP-R1A-D1B-U1A/0,7 - Front plate



1404504

<https://www.phoenixcontact.com/pc/products/1404504>

Technical data

Product properties

Product type	Data front plate
Number of slots	3
Shielded	yes

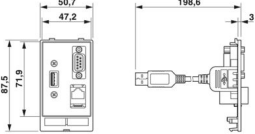
Electrical properties

Rated voltage (III/3)	max. 48 V AC/DC (D-SUB 9, USB A)
	max. 30 V AC (D-SUB 9, USB A, RJ45, UL rating)
	max. 42.4 V DC (D-SUB 9, USB A, RJ45, UL rating)
Rated current	3 A (D-SUB 9)
	1 A (USB A)
	max. 175 mA (RJ45, D-SUB 9, UL rating)

Connection data

Tightening torque	0.8 ... 1 Nm
-------------------	--------------

Dimensions

Dimensional drawing	
Width	50.7 mm
Height	87.5 mm
Depth	45 mm

Material specifications

Material Front plate	PBT
----------------------	-----

Connector

Contact insert design	with 1x D-SUB 9 Socket/pin, slot locking UNC 4...40 bolts
	with 1x RJ45 Socket/socket, snap-in slot locking
	with 1x USB A 2.0 Socket/socket with 0.7 m cable, snap-in slot locking

Environmental and real-life conditions

Ambient conditions

Degree of protection	IP20
Ambient temperature (operation)	-10 °C ... 60 °C

Mounting

Assembly note	suitable for all mounting frames
---------------	----------------------------------

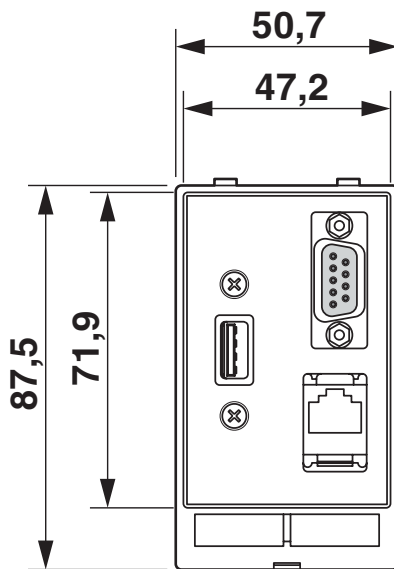
SI-FP-R1A-D1B-U1A/0,7 - Front plate

1404504

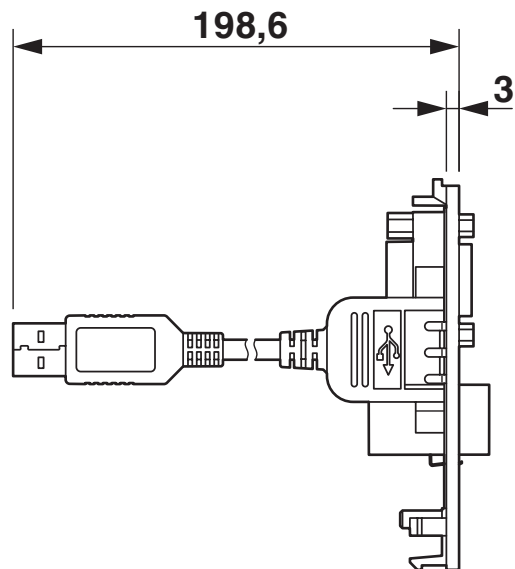
<https://www.phoenixcontact.com/pc/products/1404504>

Drawings

Dimensional drawing



Dimensional drawing



SI-FP-R1A-D1B-U1A/0,7 - Front plate



1404504

<https://www.phoenixcontact.com/pc/products/1404504>

Approvals

🔗 To download certificates, visit the product detail page: <https://www.phoenixcontact.com/pc/products/1404504>



EAC

Approval ID: RU C-DE.A*30.B.01102

SI-FP-R1A-D1B-U1A/0,7 - Front plate



1404504

<https://www.phoenixcontact.com/pc/products/1404504>

Classifications

ECLASS

ECLASS-11.0	27182806
ECLASS-12.0	27182806
ECLASS-13.0	27182806

ETIM

ETIM 9.0	EC000456
----------	----------

UNSPSC

UNSPSC 21.0	39121300
-------------	----------

SI-FP-R1A-D1B-U1A/0,7 - Front plate



1404504

<https://www.phoenixcontact.com/pc/products/1404504>

Environmental product compliance

EU RoHS

Fulfills EU RoHS substance requirements	Yes
Exemption	6(c)

China RoHS

Environment friendly use period (EFUP)	EFUP-50
	An article-related China RoHS declaration table can be found in the download area for the respective article under "Manufacturer declaration". For all articles with EFUP-E, no China RoHS declaration table issued and required.

EU REACH SVHC

REACH candidate substance (CAS No.)	Lead(CAS: 7439-92-1)
SCIP	abc72545-8fb6-42fc-9975-92273ef2ec8c

SI-FP-R1A-D1B-U1A/0,7 - Front plate



1404504

<https://www.phoenixcontact.com/pc/products/1404504>

Accessories

UCT-EM (20X7) - Snap-in markers

0801494

<https://www.phoenixcontact.com/pc/products/0801494>



Snap-in markers, Sheet, white, unlabeled, can be labeled with: TOPMARK NEO, TOPMARK LASER, BLUEMARK ID COLOR, BLUEMARK ID, BLUEMARK CLED, THERMOMARK PRIME, THERMOMARK CARD 2.0, THERMOMARK CARD, mounting type: snapped, lettering field size: 20 x 7 mm, Number of individual labels: 24

UC-EM (20X7) - Snap-in markers

0825499

<https://www.phoenixcontact.com/pc/products/0825499>



Snap-in markers, Sheet, white, unlabeled, can be labeled with: BLUEMARK ID COLOR, BLUEMARK ID, BLUEMARK CLED, PLOTMARK, CMS-P1-PLOTTER, mounting type: snapped, lettering field size: 20 x 7 mm, Number of individual labels: 20

SI-FP-R1A-D1B-U1A/0,7 - Front plate

1404504

<https://www.phoenixcontact.com/pc/products/1404504>



VS-SI-BZ - Marker labels

1656660

<https://www.phoenixcontact.com/pc/products/1656660>

Marker label, plastic, plate with 20 labels



Phoenix Contact 2024 © - all rights reserved

<https://www.phoenixcontact.com>

PHOENIX CONTACT GmbH & Co. KG

Flachsmarktstraße 8

D-32825 Blomberg

+49 (0) 5235-3 00

info@phoenixcontact.com