

385 SERIES

Pull Action Latch Clamps | Dimensions

Features:

- Heavy duty U-hook style latch clamps are supplied with threaded U-hooks for easy adjustment
- Supplied with patented thumb control lever for one handed operation
- DESTACO® Toggle Lock Plus™ versions available

Applications:

- Molding
- Closures for doors, lids, covers
- Assembly

Also Available:

- Clamps with longer hooks available Upon Request that are 25mm, 50mm, 100mm longer than standard length
- To order clamp with longer hook, add **-M-25**, **-M-50**, or **-M-100** to the end of the model. Example: 385-**M-50**

Covered under one or more U.S./International Patents

385
385-SS



385-R
385-RSS
with DESTACO®
Toggle Lock
Plus™



385-L
Low Profile
Handle



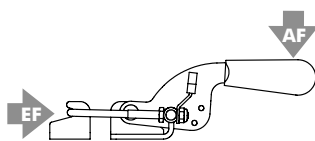
385102
Optional
Latch Plate
for 385, 385-R
and 385-L



385902
Optional Stainless
Latch Plate for
385-SS and
385-RSS



Technical Information | Holding Capacities



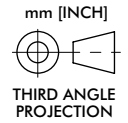
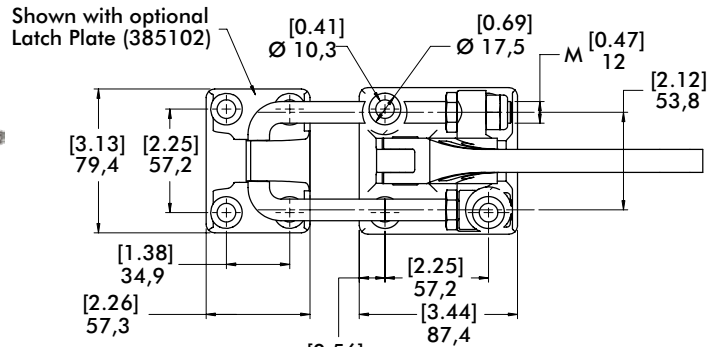
Model	Max. Holding Capacity	Weight	EF:AF	Drawing Movement	Latch Plate/Cleat (Optional)	Replacement Hook Assembly	Hook Adj. Range
385	[7500 lbf] 33300 N	[3.3 lbs] 1,50 kg	44:1	[2.19] 55,6	385102 385902 (Stainless Steel)	385215 385915 (Stainless Steel)	[1.36] 34,5
385-SS							
385-R							
385-RSS							
385-L	[3.3 lbs] 1,50 kg						

ⓘ This item is available upon request. **EF** = Exerting Force, **AF** = Applied Force

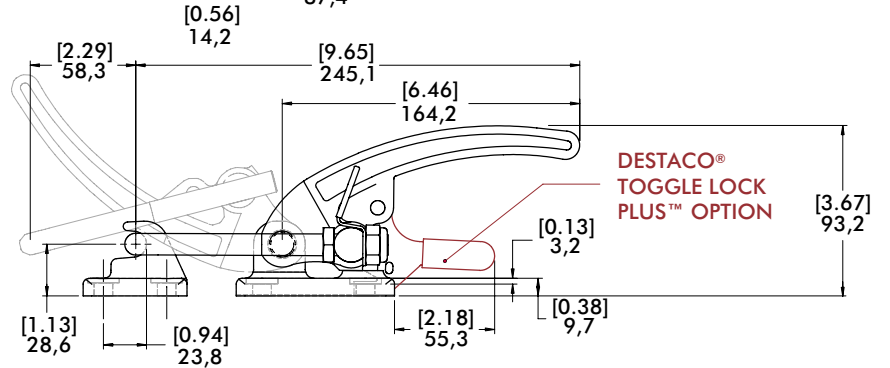
385, 385-R, 385-L SERIES

Pull Action Latch Clamps | Dimensions

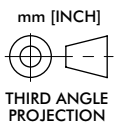
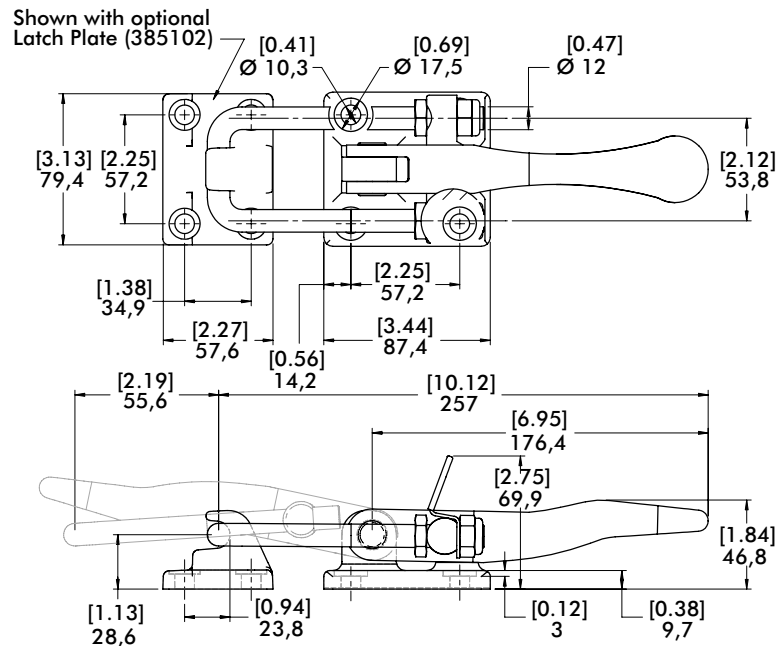
385
385-SS



385-R
385-RSS
with DESTACO®
Toggle Lock
Plus™



385-L
Low Profile
Handle



385, 385-R, 385-L SERIES

Pull Action Latch Clamps | Replacement Hook Assembly | Dimensions

Replacement Hook Assembly	Used on Clamp Model	A	B	C	M	Material
385215	385, 385-R, 385-L	[5.72] 145,3			M12 x 1.75	Steel
385215-M-25 ⓘ	385-M-25, 385-R-M-25 385-L-M-25	[6.72] 170,7				
385215-M-50 ⓘ	385-M-50, 385-R-M-50 385-L-M-50	[7.72] 196				
385215-M-100 ⓘ	385-M-100, 385-R-M-100 385-L-M-100	[9.72] 247				
385915	385-SS, 385-RSS	[5.72] 145,3	[2.75] 70	[2.12] 53,8	M12 x 1.75	Stainless Steel
385915-M-25 ⓘ	385-SS-M-25, 385-RSS-M-25	[6.72] 170,7				
385915-M-50 ⓘ	385-SS-M-50, 385-RSS-M-50	[7.72] 196				
385915-M-100 ⓘ	385-SS-M-100, 385-RSS-M-100	[9.72] 247				

ⓘ This item is available upon request.

Replacement Thumb Control Lever	Used on Clamp Model
385-ZB1	385, 385-R, 385-L, 385-SS, 385-RSS

