

REVISION Y

NOTES:

1. MIN. PUSHOUT FORCE: .5 lb.
2. PLANARITY TO BE WITHIN .006 [1.5].
3. Ⓞ REPRESENTS A CRITICAL DIMENSION FOR STATISTICAL PROCESS CONTROL.
4. TUBES ARE STANDARD PACKAGING.
5. ORDERS WILL BE PACKAGED ACCORDING TO THE SAMTEC PACKAGING EFFICIENCY STANDARDS (SPES) FOUND ON WWW.SAMTEC.COM.
6. ATTACH LABEL TO EACH REEL.

DIMENSIONS ARE IN INCHES		UNLESS OTHERWISE NOTED		TOLERANCES ARE:	
ONE PLACE DECIMALS ± .1	THREE PLACE DECIMALS ± .005	ANGLES ± 2°			
TWO PLACE DECIMALS ± .01	FOUR PLACE DECIMALS ± .0020				

TITLE: STAMPED & FORMED  
DIP ASM.

DWG NO: ICF-XXX-XXX-X-XX  
SHEET 1 OF 1

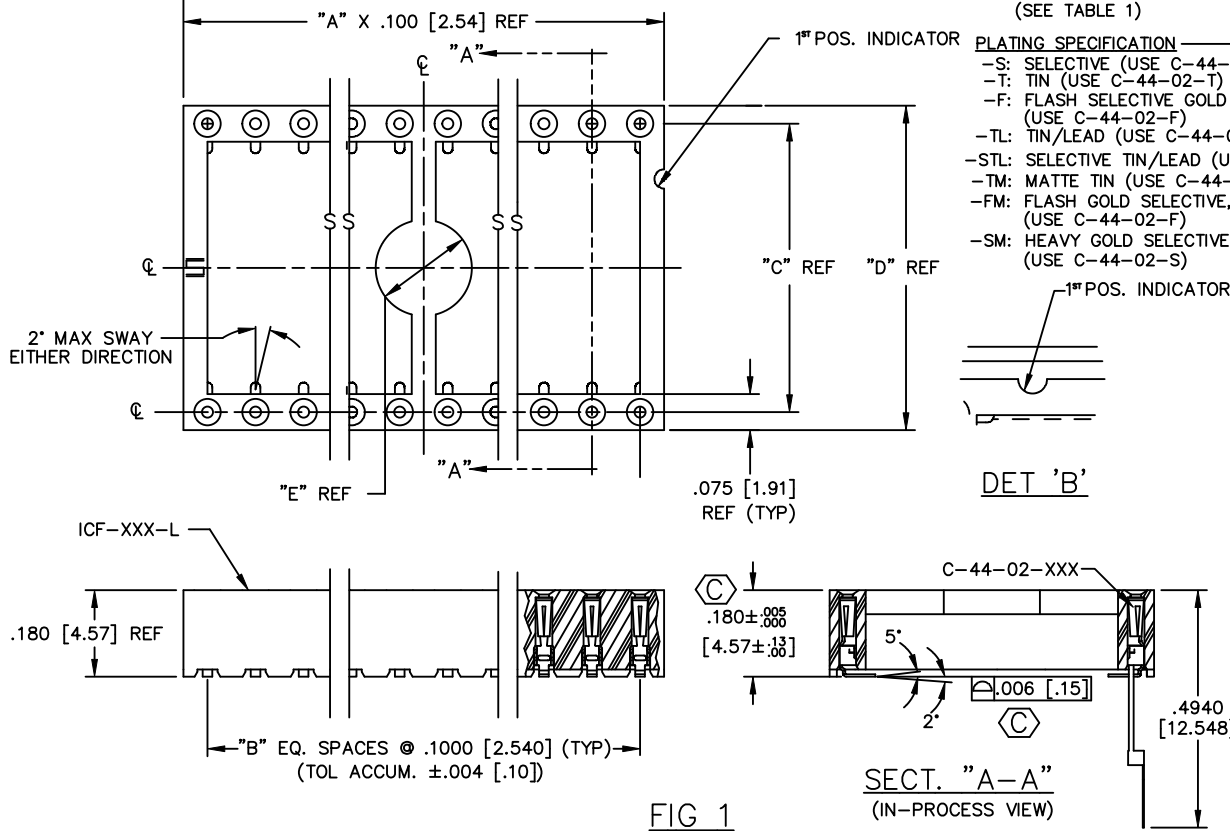


FIG 1

SECT. "A-A"  
(IN-PROCESS VIEW)

"X"	"XX"	"A"	"B"	"C"	"D"	"E"
3	08	4	3	.3000 [7.620]	.375 [9.53]	.200 [5.08]
	14	7	6			
	16	8	7			
	18	9	8			
	20	10	9			
	22	11	10			
	24	12	11			
28	14	13				
6	24	12	11	.6000 [15.240]	.675 [17.15]	.400 [10.16]
	28	14	13			
	32	16	15			
	40	20	19			
	48	24	23			

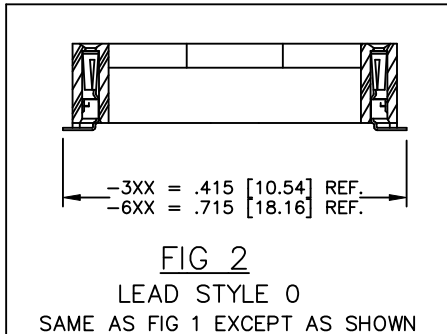
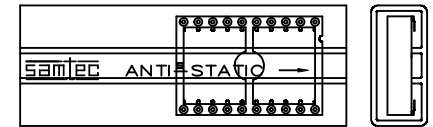


FIG 2  
LEAD STYLE 0  
SAME AS FIG 1 EXCEPT AS SHOWN

- ICF-XXX-XXX-X-XX
- ROW SPACING (SEE TABLE 1)
  - PACKAGING: BLANK: TUBES (SEE NOTES 4 & 5); -TR: TAPE & REEL (SEE NOTES 5 & 6); -FR: FULL REEL QTY TAPE & REEL (SEE NOTES 5 & 6)
  - NO. OF CONTACTS (SEE TABLE 1)
  - PLATING SPECIFICATION: -S: SELECTIVE (USE C-44-02-S); -T: TIN (USE C-44-02-T); -F: FLASH SELECTIVE GOLD (USE C-44-02-F); -TL: TIN/LEAD (USE C-44-02-TL); -STL: SELECTIVE TIN/LEAD (USE C-44-02-STL); -TM: MATTE TIN (USE C-44-02-T); -FM: FLASH GOLD SELECTIVE, MATTE TIN TAIL (USE C-44-02-F); -SM: HEAVY GOLD SELECTIVE, MATTE TIN TAIL (USE C-44-02-S)
  - LEAD STYLES: -I: TAILS IN - SEE FIG. 1; -O: TAILS OUT - SEE FIG. 2

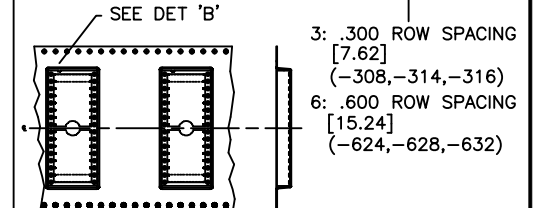
PACKAGE PARTS IN TUBE AS SHOWN (FIG 4)



SERIES	LEAD STYLE	PACKAGING TUBE	PLUG
.300 [7.62]	I	PT-1-24-01-25	TP-03
.600 [15.24]	I	PT-1-24-02-25	TP-03
.300 [7.62]	0	PT-1-24-03-25	TP-03
.600 [15.24]	0	PT-1-24-04-25	TP-03

PACKAGE PARTS IN TAPE & REEL AS SHOWN (FIG 5)

USE CT-ICF-XXX



SURFACE MOUNT LEADS TO BE FACE DOWN IN THE POCKET

PLOT SCALE: 1=2 EXISPROD/ASSEMBLY/DIP ICF-ASM



520 PARK EAST BLVD. NEW ALBANY, INDIANA 47150  
PHONE (812) 944-6733 P.O. BOX 1147  
CODE 55322

MADE BY GREG REIDINGER 3-21-91

ICF-XXX-XXX-X-XX  
SHEET 1 OF 1

**PROPRIETARY NOTE**  
THIS DOCUMENT CONTAINS INFORMATION CONFIDENTIAL AND PROPRIETARY TO SAMTEC INC. AND SHALL NOT BE REPRODUCED OR TRANSMITTED TO OTHERS OR USED FOR ANY PURPOSE OTHER THAN THAT FOR WHICH IT WAS OBTAINED WITHOUT THE EXPRESSED WRITTEN CONSENT OF SAMTEC INC.