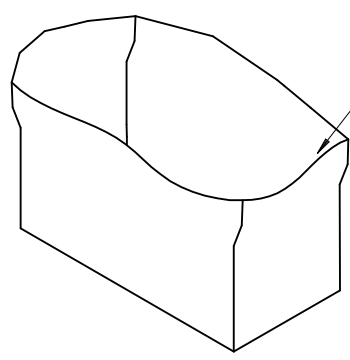
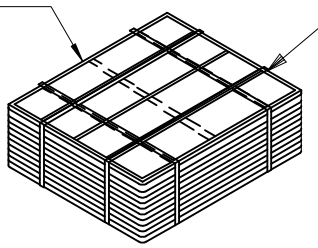
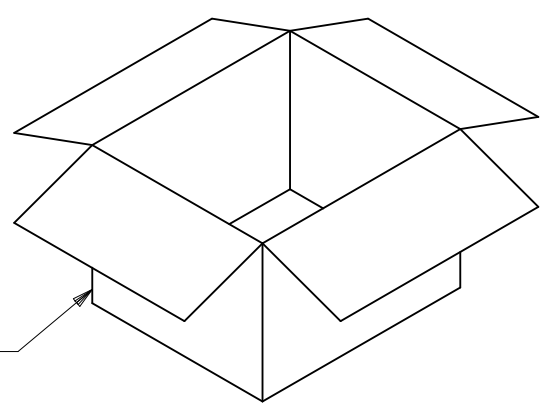


SOFT TRAY PART NUMBER	PRODUCT PART NUMBER	PARTS PER TRAY	TOTAL TRAYS PER CARTON	PARTS PER PRIMARY CARTON (SPD)
885960755	105142-8*** 105274-2***	9	12+1	100

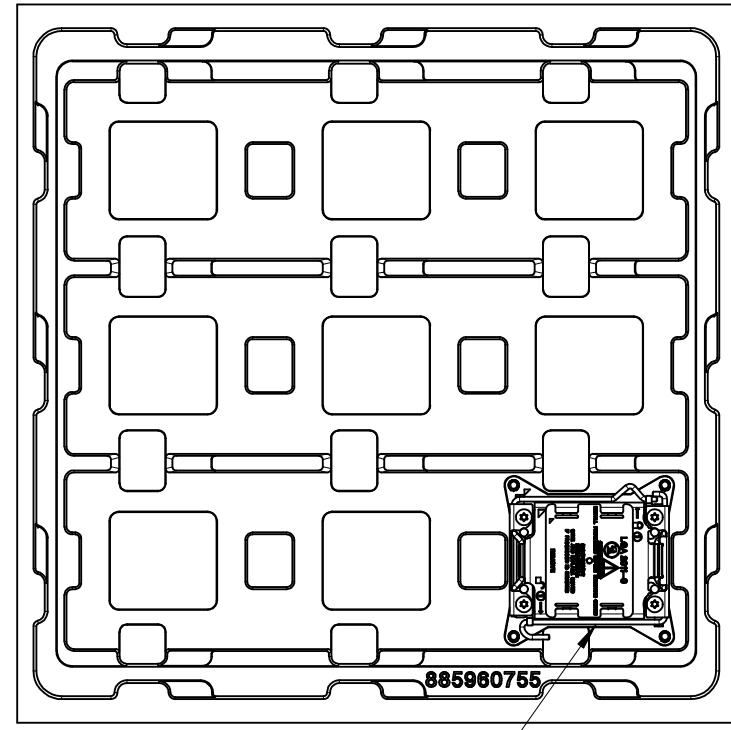
TOP LAYER - EMPTY TRAY RUBBER BAND



POLYBAG, FLAT (800*1000)
P/N: 96713-0005



CARTON
P/N: 88596-0776



POR SQUARE ILM FOR SOCKET R0/R3
105142-8***/105274-2***

NOTES:

1. ALL CARTON CLOSURES MUST BE DONE WITH TAPE.
2. STACK WITH ROTATE 180 DEGREE BETWEEN EACH PACKAGE TRAY.
3. SECOND TRAY UNDER TOP EMPTY TRAY WITH 1PCS ILM

ENTER DESCRIPTION EC NO: SH2015-0083 DRWN: YXZHENG CH'KD: APPR: AYIN 2013/04/01 2014/09/02	QUALITY SYMBOLS	GENERAL TOLERANCES (UNLESS SPECIFIED)		DIMENSION STYLE MM ONLY		SCALE 1:4	DESIGN UNITS METRIC	THIRD ANGLE PROJECTION	
	$F_A=0$	4 PLACES	mm	INCH	DRAWN BY YXZHENG	DATE 2011/12/30	TITLE PACKAGE DRAWING (TRAY) FOR LGA 2011 SOCKET POR ILM		
	$F_C=0$	3 PLACES	± ---	± ---	CHECKED BY	DATE			
	$F_P=0$	2 PLACES	± 0.25	± ---	APPROVED BY AYIN		DATE 2012/01/20	MOLEX INCORPORATED	
		1 PLACE	± 0.20	± ---	MATERIAL NO. SEE TABLE		DOCUMENT NO. PK-105142-800	SHEET NO. 1 OF 1	
		ANGULAR ±1/2°			SIZE A3		THIS DRAWING CONTAINS INFORMATION THAT IS PROPRIETARY TO MOLEX INCORPORATED AND SHOULD NOT BE USED WITHOUT WRITTEN PERMISSION		
		DRAFT WHERE APPLICABLE MUST REMAIN WITHIN DIMENSIONS							