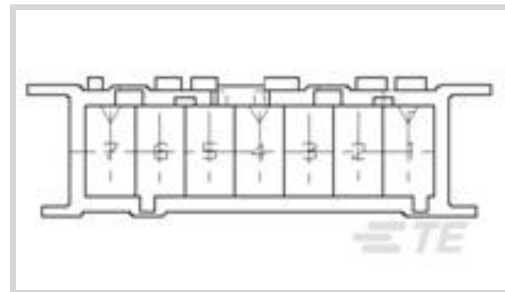




Terminals & Splices > Terminal Housings, Insulation Sleeves & Blocks > Crimp Terminal Housings



Terminal Type: **Tab**

Connector & Housing Type: **Tab Housing**

Number of Positions: **7**

Terminal Orientation: **Straight**

UL Flammability Rating: **UL 94V-2**

Features

Product Type Features

Sealable	No
Connector & Housing Type	Tab Housing

Configuration Features

Number of Positions	7
---------------------	---

Body Features

Connector & Keying Code	C
Primary Product Color	Natural

Contact Features

Terminal Type	Tab
Terminal Orientation	Straight
Contact Mating Retention	With

Mechanical Attachment

Mating Alignment Type	Polarization
Mating Retention Type	Locking Lance
Mating Alignment	With
Connector Mounting Type	Panel Mount

Housing Features

Housing Material	Polyamide
------------------	-----------



Centerline (Pitch)	5 mm[.196 in]
--------------------	---------------

Dimensions

Product Length	33 mm[1.3 in]
----------------	---------------

Usage Conditions

Operating Temperature Range	-40 - 105 °C[-40 - 221 °F]
-----------------------------	----------------------------

Industry Standards

UL Flammability Rating	UL 94V-2
------------------------	----------

Packaging Features

Packaging Quantity	750
--------------------	-----

Product Compliance

[For compliance documentation, visit the product page on TE.com>](#)

EU RoHS Directive 2011/65/EU	Compliant
EU ELV Directive 2000/53/EC	Compliant
China RoHS 2 Directive MIIT Order No 32, 2016	No Restricted Materials Above Threshold
EU REACH Regulation (EC) No. 1907/2006	Current ECHA Candidate List: JAN 2024 (240) Candidate List Declared Against: JAN 2024 (240) Does not contain REACH SVHC
Halogen Content	Low Halogen - Br, Cl, F, I < 900 ppm per homogenous material. Also BFR/CFR/PVC Free
Solder Process Capability	Not applicable for solder process capability

Product Compliance Disclaimer

This information is provided based on reasonable inquiry of our suppliers and represents our current actual knowledge based on the information they provided. This information is subject to change. The part numbers that TE has identified as EU RoHS compliant have a maximum concentration of 0.1% by weight in homogenous materials for lead, hexavalent chromium, mercury, PBB, PBDE, DBP, BBP, DEHP, DIBP, and 0.01% for cadmium, or qualify for an exemption to these limits as defined in the Annexes of Directive 2011/65/EU (RoHS2). Finished electrical and electronic equipment products will be CE marked as required by Directive 2011/65/EU. Components may not be CE marked. Additionally, the part numbers that TE has identified as EU ELV compliant have a maximum concentration of 0.1% by weight in homogenous materials for lead, hexavalent chromium, and mercury, and 0.01% for cadmium, or qualify for an exemption to these limits as defined in the Annexes of Directive 2000/53/EC (ELV). Regarding the REACH Regulation, the information TE provides on SVHC in articles for this part number is based on the latest European Chemicals Agency (ECHA) 'Guidance on requirements for substances in articles' posted at this URL: <https://echa.europa.eu/guidance-documents/guidance-on-reach>

Compatible Parts



TE Part # 293034-3
7 POSITION FASTIN FASTON TAB HOUSING (PA)



TE Part # 1241857-5
5 POS FASTIN/ON HOUSING PANEL MOUNT



TE Part # 928309-8
8P FF FLACHST GEH



TE Part # 293011-1
5 POS. FASTIN-FASTON CONN. TAB HOUSING R



TE Part # 284985-1
7 POS. FASTIN-FASTON CONN. TAB HSG, RAST



TE Part # 284986-1
8 POS. FASTIN-FASTON CONN. TAB HSG, RAST



TE Part # 293034-1
7 POSITION FASTIN FASTON TAB HOUSING (PA)



TE Part # 293043-1
8POS. FASTIN-FASTON, TAB HOUSING RAST5



TE Part # 293161-1
5 POS. FASTIN-FASTON* TAB HSG, RAST5



TE Part # 293267-1
7 POS. FASTIN-FASTON+ TAB HOUSING RAST 5



TE Part # 5-1241967-7
7POS. FASTIN-FASTON* TAB HSG, RAST5

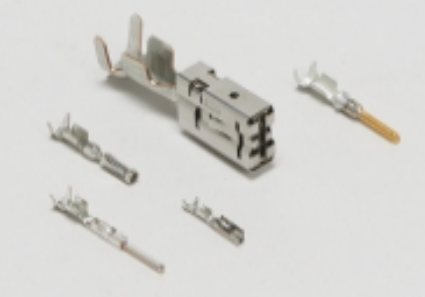


TE Part # 927742-7
7P FF FLACHSTGH6,3




TE Part # 2-927742-7
NO DESCRIPTION

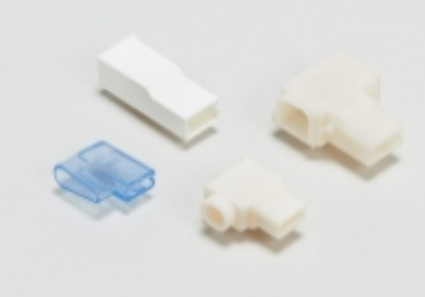
Also in the Series | **RAST 5 IDC Connectors**




Automotive Terminals(8)



Connector Contacts(14)



Crimp Terminal Housings(39)



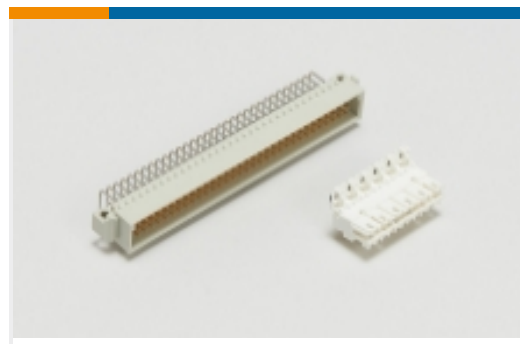
Insertion & Extraction Tools(1)



PCB Headers & Receptacles(417)



Rectangular Connector Housings(1)



Standard Edge Connectors(33)



Standard Rectangular Connectors(63)

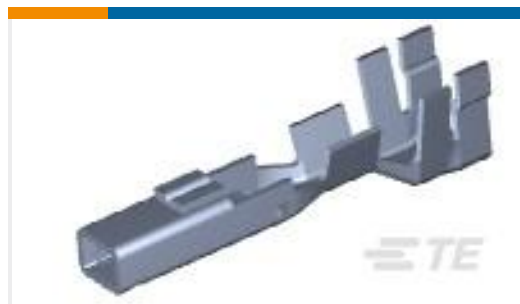


Wire-to-Board Connector Assemblies & Housings(213)

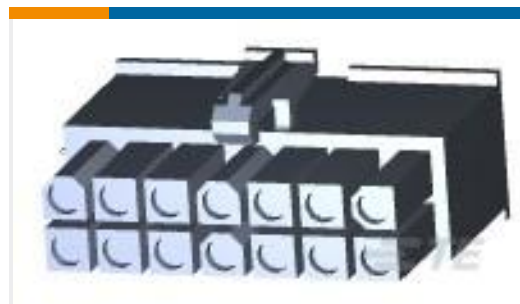
Customers Also Bought



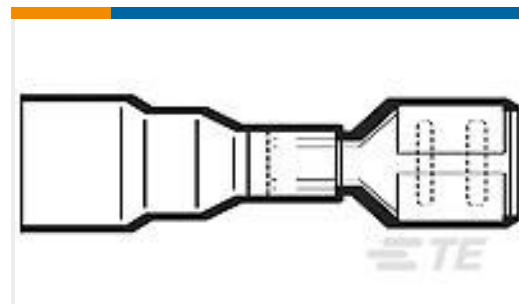
TE Part # 66098-9
III+ PIN,18-16,30AU/FL,STRIP



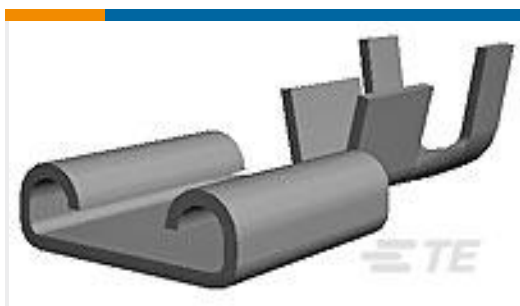
TE Part # 177914-1
AMP POWER DBL LOCK REC (S)



TE Part # 770582-1
14P MINI UMNL PLUG HSG



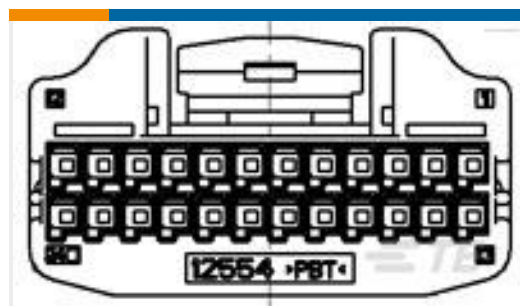
TE Part # 518553-000
B-106-3631



TE Part # 41832
250 FASTON REC 18-14 AWG TPBR



TE Part # 41800
250 FASTON FLAG REC 18-12 AWG TPBZ



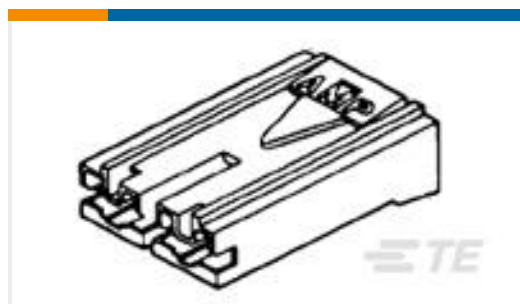
TE Part # 1717112-2
0.64 III 24POS PLUG ASSY



TE Part # 1564324-1
AMP MCP 1.5K, CONTACT, SWS



TE Part # 130017
SOLIS R 22-16 5MM



TE Part # 179720-1
187 HSG. PL MKII REC. 10mm 2P NAT

Documents



Product Drawings

[7P FF FLACHST GEH](#)

English

CAD Files

[3D PDF](#)

3D

Customer View Model

[ENG_CVM_CVM_928309-7_O.2d_dxf.zip](#)

English

Customer View Model

[ENG_CVM_CVM_928309-7_O.3d_igs.zip](#)

English

Customer View Model

[ENG_CVM_CVM_928309-7_O.3d_stp.zip](#)

English

By downloading the CAD file I accept and agree to the [Terms and Conditions](#) of use.

Datasheets & Catalog Pages

[FASTIN_FASTON_Product_Line](#)

English

[RAST Connector System Catalog](#)

English