

9-927742-4 ✓ ACTIVE

RAST | RAST 5 IDC Connectors

TE Internal #: 9-927742-4

Crimp Terminal Housings, Tab, Tab Housing, 4 Position, Straight, UL 94V-2, Natural, Polyamide, Contact Mating Retention, RAST 5 IDC Connectors

[View on TE.com >](#)



Terminals & Splices > Terminal Housings, Insulation Sleeves & Blocks > Crimp Terminal Housings



Terminal Type: **Tab**

Connector & Housing Type: **Tab Housing**

Number of Positions: **4**

Terminal Orientation: **Straight**

UL Flammability Rating: **UL 94V-2**

## Features

### Product Type Features

Sealable	No
Connector & Housing Type	Tab Housing

### Configuration Features

Number of Positions	4
---------------------	---

### Body Features

Connector & Keying Code	C
Primary Product Color	Natural

### Contact Features

Terminal Type	Tab
Terminal Orientation	Straight
Contact Mating Retention	With

### Mechanical Attachment

Mating Alignment Type	Polarization
-----------------------	--------------



Mating Retention Type	Locking Lance
-----------------------	---------------

Mating Alignment	With
------------------	------

Connector Mounting Type	Panel Mount
-------------------------	-------------

### Housing Features

Housing Material	Polyamide
------------------	-----------

Centerline (Pitch)	5 mm[.196 in]
--------------------	---------------

### Dimensions

Product Length	30.5 mm[1.2 in]
----------------	-----------------

### Usage Conditions

Operating Temperature Range	-40 - 105 °C[-40 - 221 °F]
-----------------------------	----------------------------

### Industry Standards

UL Flammability Rating	UL 94V-2
------------------------	----------

### Packaging Features

Packaging Quantity	200
--------------------	-----

## Product Compliance

[For compliance documentation, visit the product page on TE.com>](#)

EU RoHS Directive 2011/65/EU	Compliant
------------------------------	-----------

EU ELV Directive 2000/53/EC	Compliant
-----------------------------	-----------

China RoHS 2 Directive MIIT Order No 32, 2016	No Restricted Materials Above Threshold
---	---

EU REACH Regulation (EC) No. 1907/2006	Current ECHA Candidate List: JAN 2024 (240) Candidate List Declared Against: JAN 2024 (240) Does not contain REACH SVHC
--	---

Halogen Content	Not Low Halogen - contains Br or Cl > 900 ppm.
-----------------	--

Solder Process Capability	Not applicable for solder process capability
---------------------------	--

#### Product Compliance Disclaimer

This information is provided based on reasonable inquiry of our suppliers and represents our current actual knowledge based on the information they provided. This information is subject to change. The part numbers that TE has identified as EU RoHS compliant have a maximum concentration of 0.1% by weight in homogenous materials for lead, hexavalent chromium, mercury, PBB, PBDE, DBP, BBP, DEHP, DIBP, and 0.01% for cadmium, or qualify for an exemption to these limits as defined in the Annexes of Directive 2011/65/EU (RoHS2). Finished electrical and electronic equipment products will be CE marked as required by Directive 2011/65/EU. Components may not be CE marked. Additionally, the part numbers that TE has identified as EU ELV compliant have a maximum concentration of 0.1% by weight in homogenous materials for lead, hexavalent chromium, and mercury, and 0.01% for cadmium, or qualify for an exemption to these limits as defined in the Annexes of Directive 2000/53/EC (ELV). Regarding the REACH Regulation, the information TE provides

on SVHC in articles for this part number is based on the latest European Chemicals Agency (ECHA) 'Guidance on requirements for substances in articles' posted at this URL: <https://echa.europa.eu/guidance-documents/guidance-on-reach>

## Compatible Parts



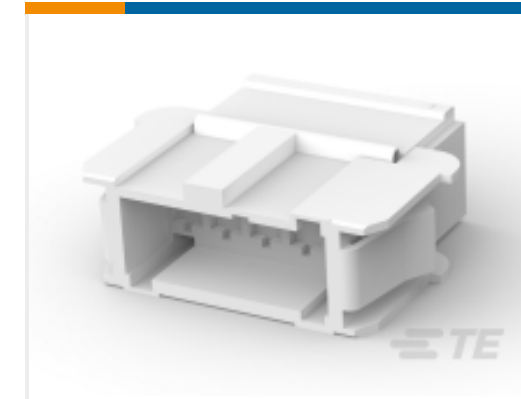
TE Part # 9-927742-3  
FASTIN FASTON HOUSING 3POS



TE Part # 9-927742-2  
2POS FASTIN FASTON HOUSING



TE Part # 964492-2  
2 POS FASTIN/ON HOUSING PANEL MOUNT



TE Part # 5-964492-5  
FASTIN FASTON HOUSING 5POS



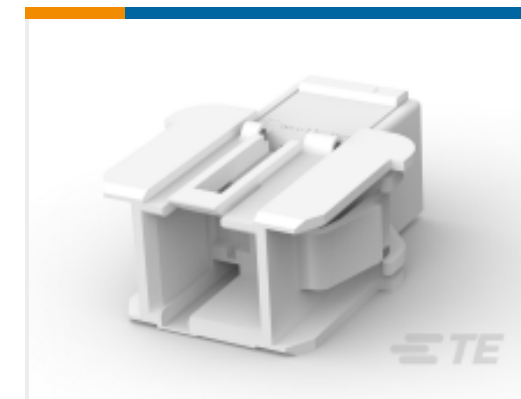
TE Part # 1241857-5  
5 POS FASTIN/ON HOUSING PANEL MOUNT



TE Part # 927742-6  
6 POS FASTIN/ON HOUSING PANEL MOUNT



TE Part # 293011-1  
5 POS. FASTIN-FASTON CONN. TAB HOUSING R



TE Part # 927742-2  
2 POS FASTIN/ON HOUSING PANEL MOUNT



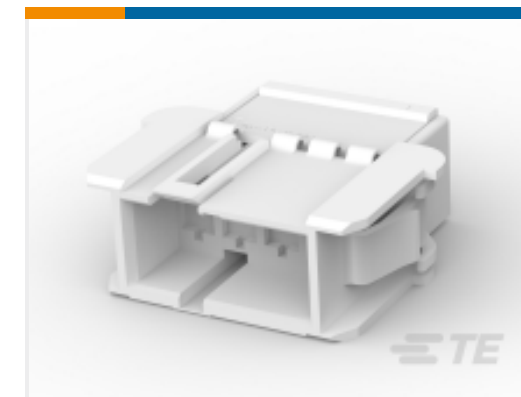
TE Part # 7-927742-6  
6 POS. FASTIN-FASTON\* TAB HSG RAST5



TE Part # 293009-1  
4 POS. FASTIN-FASTON CONN. TAB HOUSING R



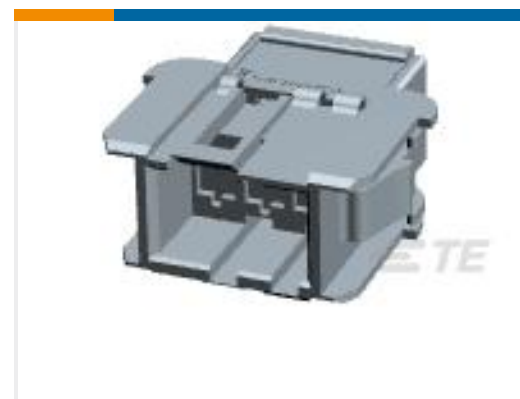
TE Part # 1955416-1  
3 POS. FASTIN-FASTON CONNECTOR TAB HOUSING



TE Part # 927742-4  
4 POS FASTIN/ON HOUSING PANEL MOUNT



TE Part # 1241969-8  
FASTIN FASTON HOUSING 8P



TE Part # 2-927742-3  
3P FF FLACHSTGH6,3



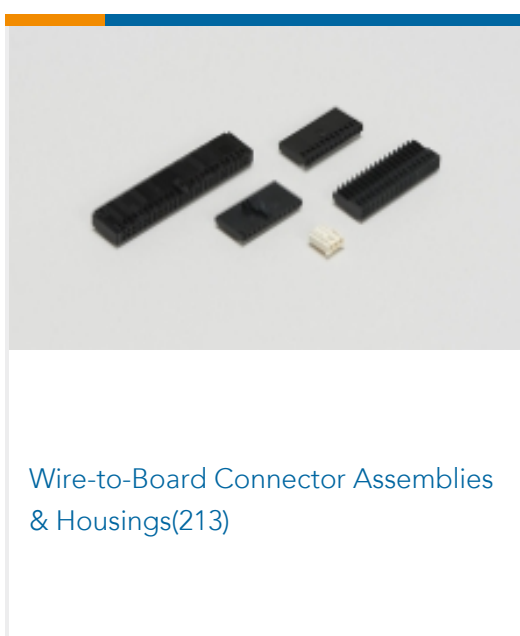
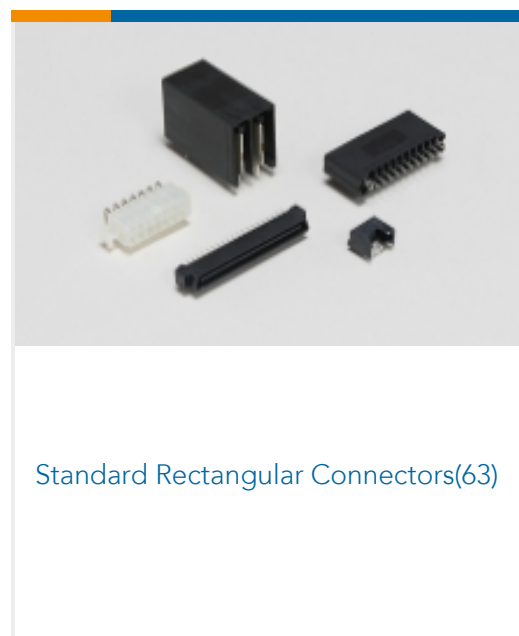
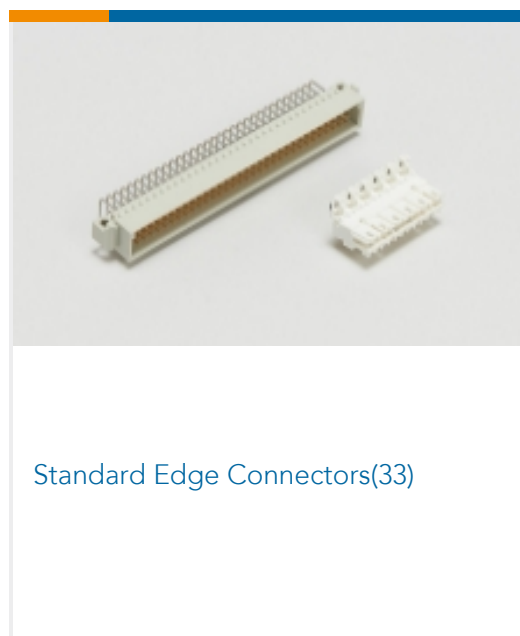
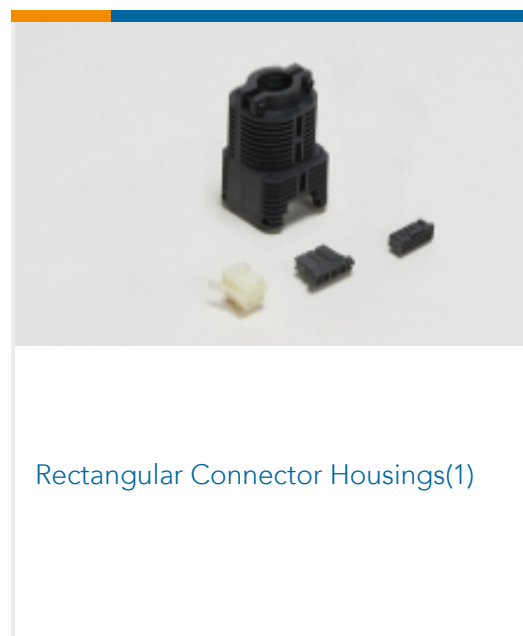
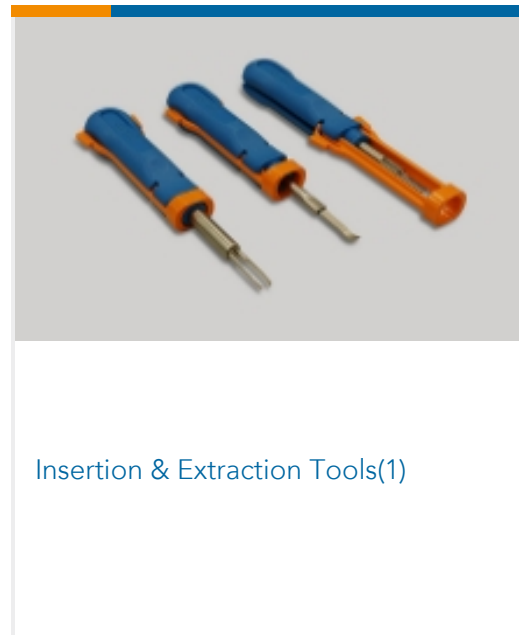
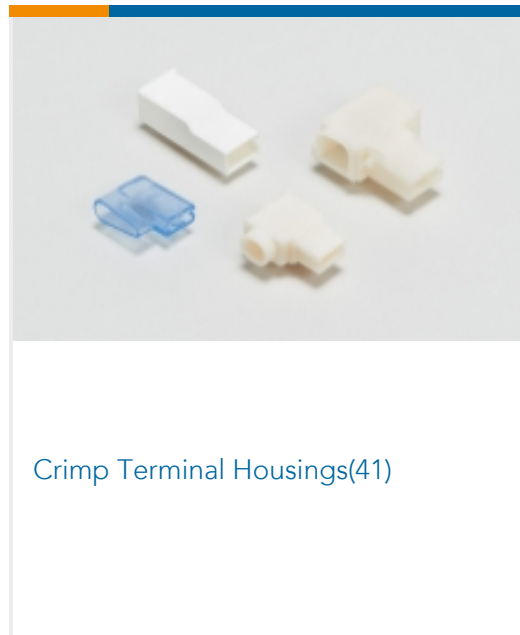
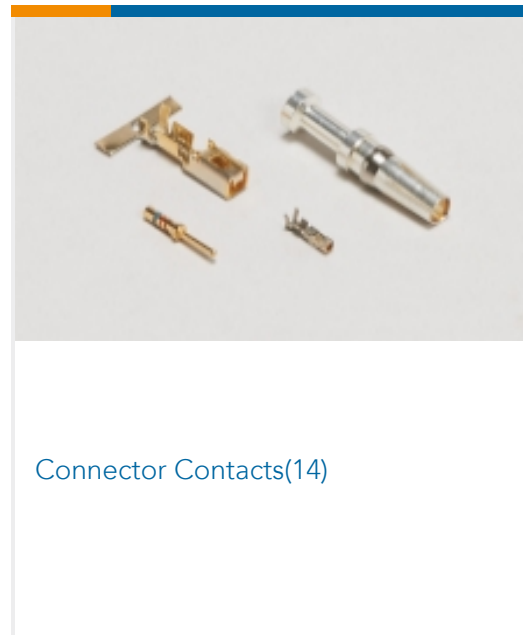
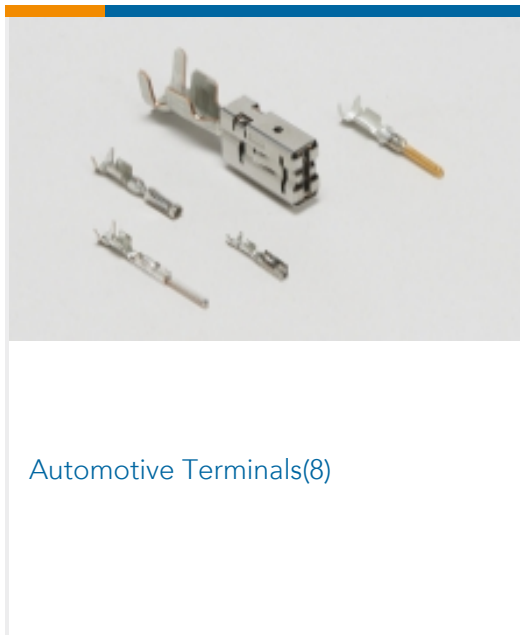
TE Part # 2-927742-7  
NO DESCRIPTION



TE Part # 293161-1  
5 POS. FASTIN-FASTON\* TAB HSG, RAST5

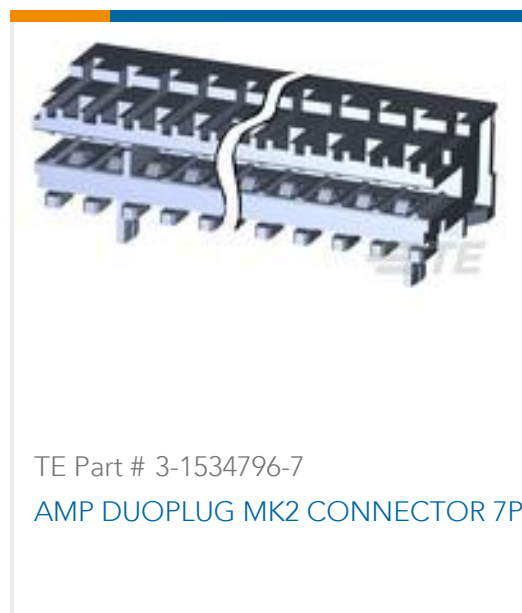
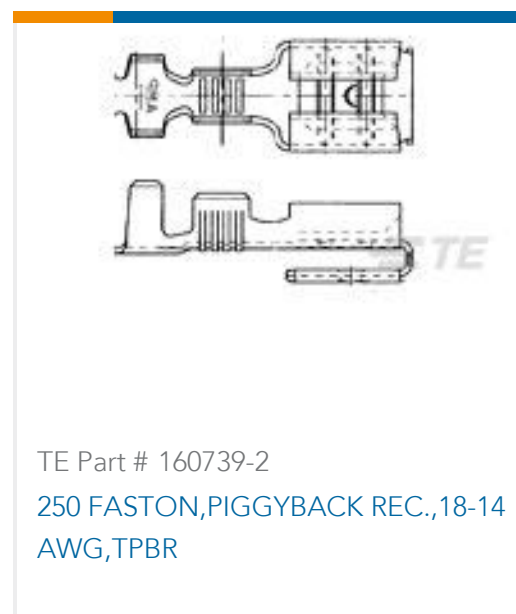
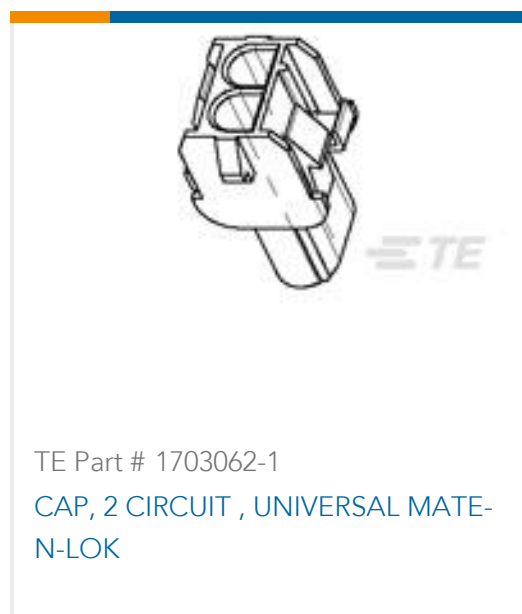


## Also in the Series | RAST 5 IDC Connectors



## Customers Also Bought





## Documents

### Product Drawings

[4POS FASTIN FASTON HOUSING](#)

English

### CAD Files

[3D PDF](#)

3D

Customer View Model

[ENG\\_CVM\\_CVM\\_9-927742-4\\_D.2d\\_dxf.zip](#)

English

Customer View Model

[ENG\\_CVM\\_CVM\\_9-927742-4\\_D.3d\\_igs.zip](#)

English

Customer View Model

[ENG\\_CVM\\_CVM\\_9-927742-4\\_D.3d\\_stp.zip](#)

English

By downloading the CAD file I accept and agree to the [Terms and Conditions](#) of use.

### Datasheets & Catalog Pages

[FASTIN\\_FASTON\\_Product\\_Line](#)

English

### Product Specifications

[Product Specification](#)

English