

360050-1 ✓ ACTIVE

TE Internal #: 360050-1

Cluster Blocks, 3 Circuits, PBT, 22 – 14 AWG Wire Size, .3 – 2 mm²

Wire Size, -4 – 248 °F [-20 – 120 °C]

[View on TE.com >](#)



Terminals & Splices > Terminal Housings, Insulation Sleeves & Blocks > Cluster Blocks



Number of Circuits: 3

Primary Product Material: PBT

Wire Size: .3 – 2 mm²

Operating Temperature Range: -20 – 120 °C [-4 – 248 °F]

Features

Product Type Features

Compatible With Discrete Wire Type

Lead Wire

Configuration Features

Number of Circuits

3

Body Features

Primary Product Color

Natural

Primary Product Material

PBT

Contact Features

Mating Pin Diameter

2.29 mm[.09 in]

Mechanical Attachment

Block Mounting Configuration

1 Forward - 2 Back

Mount Diameter

13.46 mm[.53 in]

Dimensions

Product Length

31.49 mm[1.239 in]

Wire Size

.3 – 2 mm²

Usage Conditions

Operating Temperature Range	-20 – 120 °C[-4 – 248 °F]
-----------------------------	---------------------------

Industry Standards

UL Flammability Rating	UL 94HB
------------------------	---------

Packaging Features

Packaging Quantity	1
Packaging Method	Package

Product Compliance

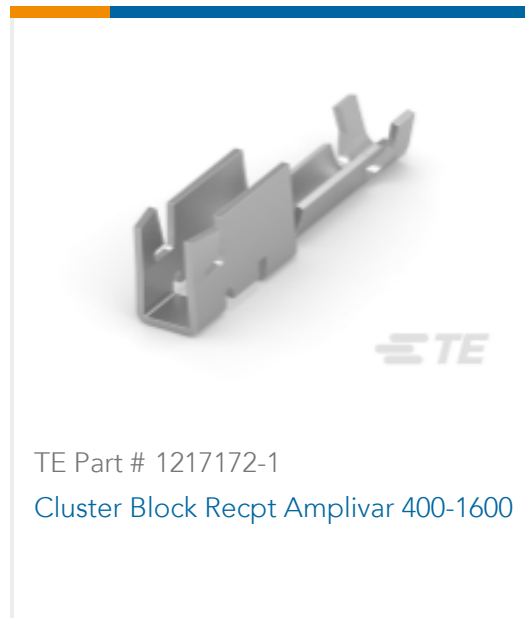
[For compliance documentation, visit the product page on TE.com>](#)

EU RoHS Directive 2011/65/EU	Compliant
EU ELV Directive 2000/53/EC	Compliant
China RoHS 2 Directive MIIT Order No 32, 2016	No Restricted Materials Above Threshold
EU REACH Regulation (EC) No. 1907/2006	Current ECHA Candidate List: JAN 2024 (240) Candidate List Declared Against: JAN 2024 (240) Does not contain REACH SVHC
Halogen Content	Low Halogen - Br, Cl, F, I < 900 ppm per homogenous material. Also BFR/CFR/PVC Free
Solder Process Capability	Not applicable for solder process capability

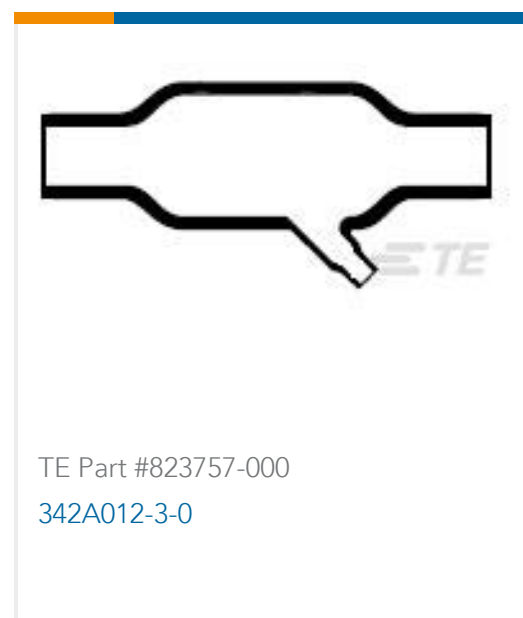
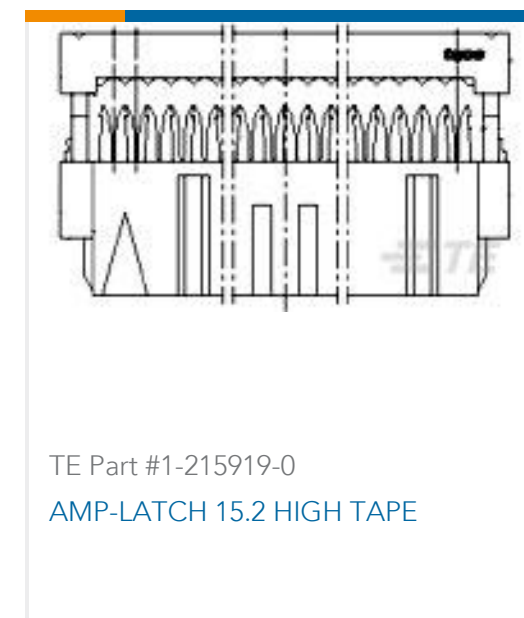
Product Compliance Disclaimer

This information is provided based on reasonable inquiry of our suppliers and represents our current actual knowledge based on the information they provided. This information is subject to change. The part numbers that TE has identified as EU RoHS compliant have a maximum concentration of 0.1% by weight in homogenous materials for lead, hexavalent chromium, mercury, PBB, PBDE, DBP, BBP, DEHP, DIBP, and 0.01% for cadmium, or qualify for an exemption to these limits as defined in the Annexes of Directive 2011/65/EU (RoHS2). Finished electrical and electronic equipment products will be CE marked as required by Directive 2011/65/EU. Components may not be CE marked. Additionally, the part numbers that TE has identified as EU ELV compliant have a maximum concentration of 0.1% by weight in homogenous materials for lead, hexavalent chromium, and mercury, and 0.01% for cadmium, or qualify for an exemption to these limits as defined in the Annexes of Directive 2000/53/EC (ELV). Regarding the REACH Regulation, the information TE provides on SVHC in articles for this part number is based on the latest European Chemicals Agency (ECHA) 'Guidance on requirements for substances in articles' posted at this URL: <https://echa.europa.eu/guidance-documents/guidance-on-reach>

Compatible Parts



Customers Also Bought



Documents



Product Drawings

090 DIA CLSTR BLK

English

CAD Files

3D PDF

3D

Customer View Model

[ENG_CVM_CVM_360050-1_AF_c-360050-1-af.2d_dxf.zip](#)

English

Customer View Model

[ENG_CVM_CVM_360050-1_AF_c-360050-1-af.3d_igs.zip](#)

English

Customer View Model

[ENG_CVM_CVM_360050-1_AF_c-360050-1-af.3d_stp.zip](#)

English

By downloading the CAD file I accept and agree to the [Terms and Conditions](#) of use.

Datasheets & Catalog Pages

Magnet Wire Terminals & Splices

English

Product Specifications

Engineering Report

English

Agency Approvals

Agency Approval Document

English