

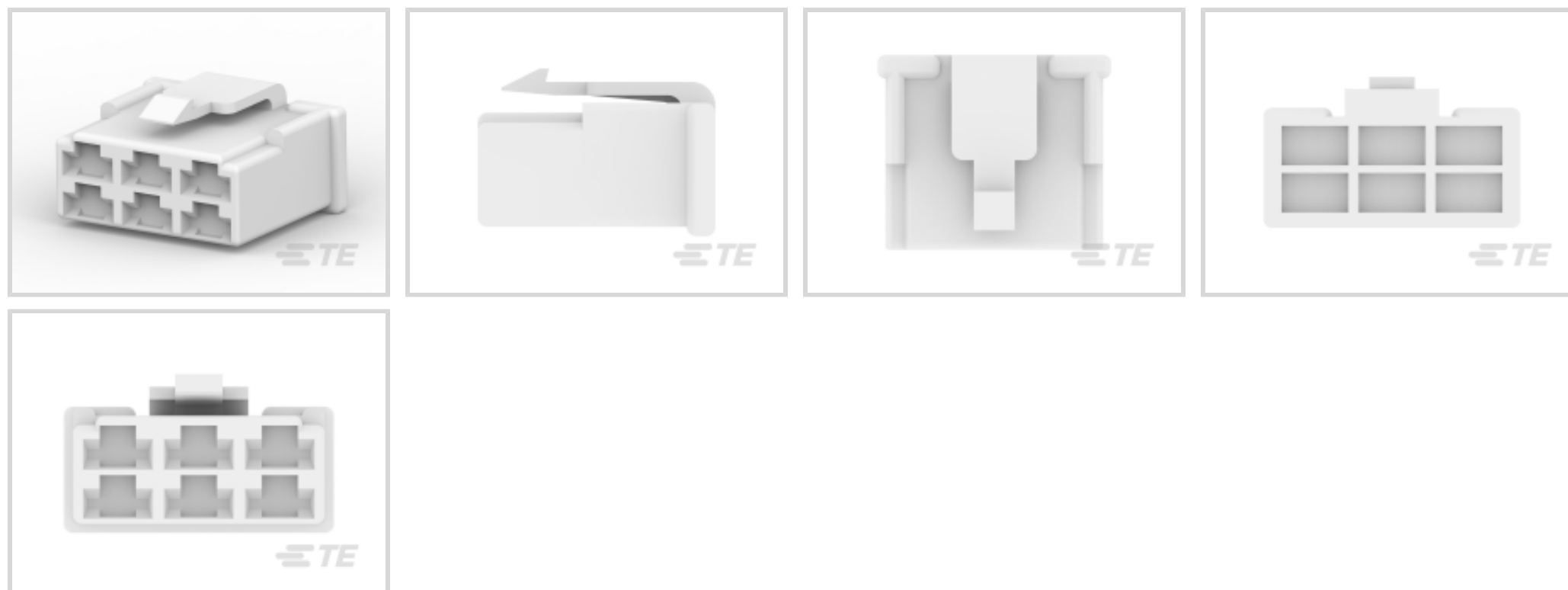
174204-1 ✓ ACTIVE

Ultra-Fast 250

TE Internal #: 174204-1

TE Internal Description: 250 FASTON HSG.,REC.,6 POS,NATRUAL

[View on TE.com >](#)



Product Compliance

[For compliance documentation, visit the product page on TE.com>](#)

EU RoHS Directive 2011/65/EU	Compliant
EU ELV Directive 2000/53/EC	Compliant
China RoHS 2 Directive MIIT Order No 32, 2016	No Restricted Materials Above Threshold
EU REACH Regulation (EC) No. 1907/2006	Current ECHA Candidate List: JAN 2024 (240) Candidate List Declared Against: JAN 2024 (240) Does not contain REACH SVHC
Halogen Content	Low Halogen - Br, Cl, F, I < 900 ppm per homogenous material. Also BFR/CFR/PVC Free
Solder Process Capability	Not reviewed for solder process capability

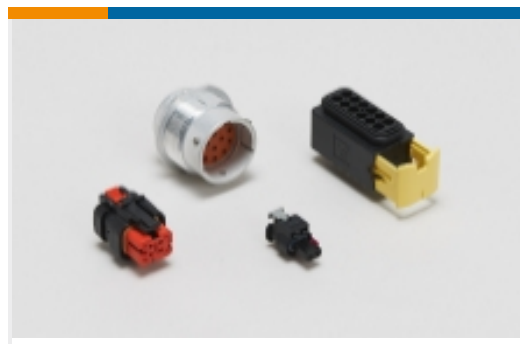
Product Compliance Disclaimer

This information is provided based on reasonable inquiry of our suppliers and represents our current actual knowledge based on the information they provided. This information is subject to change. The part numbers that TE has identified as EU RoHS compliant have a maximum concentration of 0.1% by weight in homogenous materials for lead, hexavalent chromium, mercury, PBB, PBDE, DBP, BBP, DEHP, DIBP, and 0.01% for cadmium, or qualify for an exemption to these limits as defined in the Annexes of Directive 2011/65/EU (RoHS2). Finished electrical and electronic equipment products will be CE marked as required by Directive 2011/65/EU. Components may not be CE marked. Additionally, the part numbers that TE has identified as EU ELV compliant have a maximum concentration of 0.1% by weight in homogenous materials for lead, hexavalent chromium, and mercury, and 0.01% for cadmium, or qualify for an exemption to these limits as defined in the Annexes of Directive 2000/53/EC (ELV). Regarding the REACH Regulation, the information TE provides on SVHC in articles for this part number is based on the latest European Chemicals Agency (ECHA) 'Guidance on requirements for substances in articles' posted at this URL: <https://echa.europa.eu/guidance-documents/guidance-on-reach>

Also in the Series | [Ultra-Fast 250](#)



Automotive Connector Caps & Covers (1)

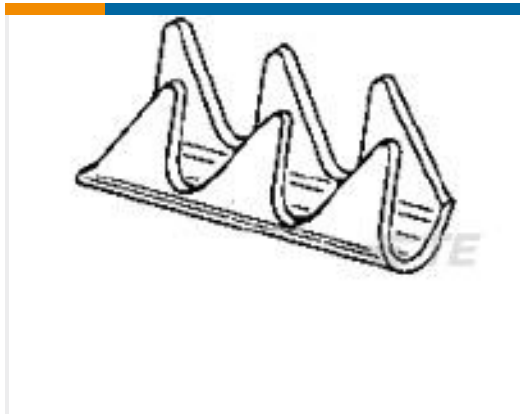


Automotive Housings(5)

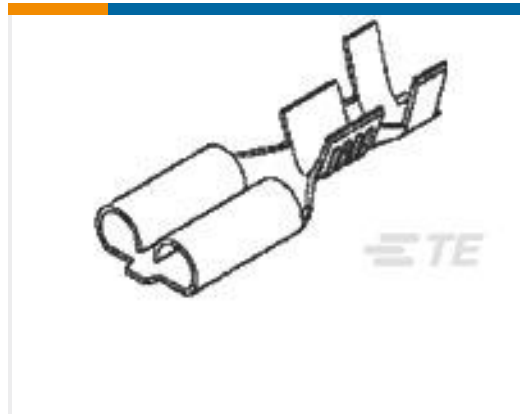


Quick Disconnects(49)

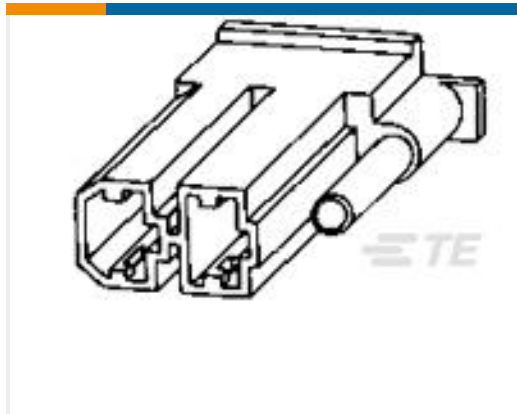
Customers Also Bought



TE Part # 926933-3
WIRE PIN 18-17 AWG .01 PTPB



TE Part # 170032-2
250 FASTON,REC.,20-14 AWG,BR



TE Part # 171447-2
FF 375 PLUG HSG 2P NYLON BLACK



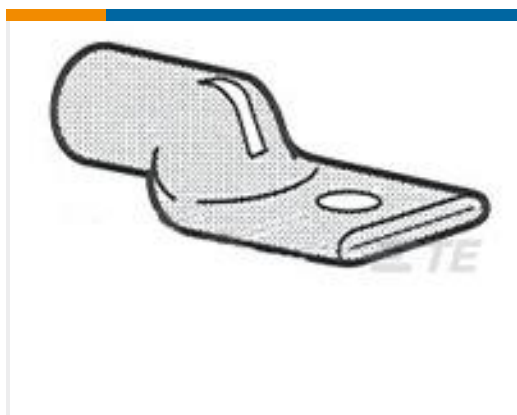
TE Part # 936863-1
FAMILY SEAL FOR HYB 42P CAP



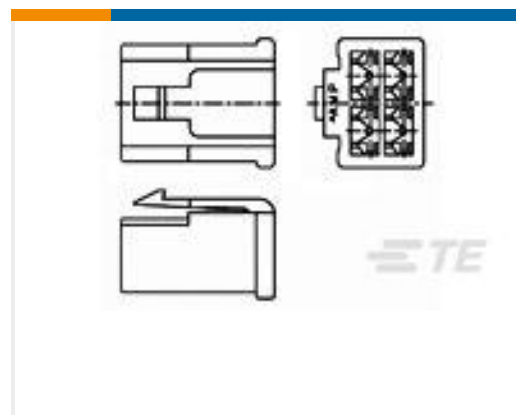
TE Part # 174200-1
250 FASTON HSG.,REC.,3 POS,
NATRUAL



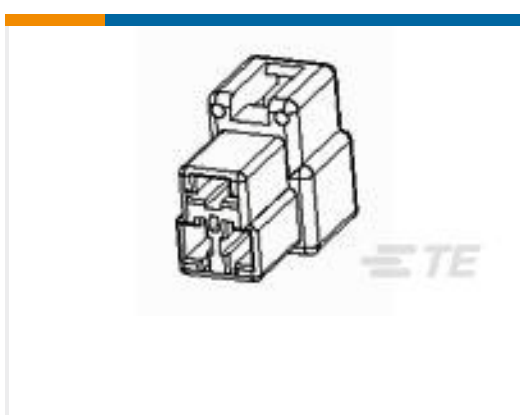
TE Part # 1544317-2
PC 2V 8MM WP NG1 B



TE Part # 325203
TERMINAL,AMPOWER 2 3/8



TE Part # 174202-1
250 FASTON HSG.,REC.,4 POS,
NATRUAL



TE Part # 174199-1
250 FASTON HSG.,REC.,3 POS,
NATRUAL



TE Part # 85136-1
250 8P PLUG HSG (MK-II)

Documents

Product Drawings

[250 FASTON HSG.,REC.,6 POS,NATRUAL](#)

English

CAD Files

Customer View Model

[ENG_CVM_CVM_174204-1_A.2d_dxf.zip](#)

English

[3D PDF](#)



3D

Customer View Model

[ENG_CVM_CVM_174204-1_A.3d_igs.zip](#)

English

Customer View Model

[ENG_CVM_CVM_174204-1_A.3d_stp.zip](#)

English

By downloading the CAD file I accept and agree to the [Terms and Conditions](#) of use.

Product Specifications

[Crimping of 250 Series Tab and Receptacle Contacts](#)

Japanese

[Application Specification](#)

Japanese