

154719-1 ✓ ACTIVE

Positive Lock | Mark I, Positive Lock 250

TE Internal #: 154719-1

Crimp Terminal Housings, Receptacle, Receptacle, 1 Position,  
Straight, UL 94V-2, Natural, Polyamide 6.6 GF, Mating Alignment,  
Positive Lock 250

[View on TE.com >](#)



Terminals & Splices > Terminal Housings, Insulation Sleeves & Blocks > Crimp Terminal Housings



Terminal Type: **Receptacle**

Connector & Housing Type: **Receptacle**

Number of Positions: **1**

Terminal Orientation: **Straight**

UL Flammability Rating: **UL 94V-2**

## Features

### Product Type Features

|                                   |                             |
|-----------------------------------|-----------------------------|
| Sealable                          | No                          |
| Connector System                  | Wire-to-Board, Wire-to-Wire |
| Connector & Contact Terminates To | Wire & Cable                |
| Connector & Housing Type          | Receptacle                  |

### Configuration Features

|                     |   |
|---------------------|---|
| Number of Positions | 1 |
|---------------------|---|

### Body Features

|                       |         |
|-----------------------|---------|
| Primary Product Color | Natural |
|-----------------------|---------|

### Contact Features

|                          |            |
|--------------------------|------------|
| Terminal Type            | Receptacle |
| Terminal Orientation     | Straight   |
| Contact Mating Retention | Without    |

### Mechanical Attachment



|                         |                            |
|-------------------------|----------------------------|
| Mating Alignment Type   | Polarization               |
| Mating Alignment        | With                       |
| Connector Mounting Type | Cable Mount (Free-Hanging) |

### Housing Features

|                  |                  |
|------------------|------------------|
| Housing Material | Polyamide 6.6 GF |
|------------------|------------------|

### Dimensions

|                |                  |
|----------------|------------------|
| Product Length | 24.26 mm[.96 in] |
|----------------|------------------|

### Usage Conditions

|                             |                            |
|-----------------------------|----------------------------|
| Operating Temperature Range | -40 - 105 °C[-40 - 221 °F] |
|-----------------------------|----------------------------|

### Industry Standards

|                        |          |
|------------------------|----------|
| UL Flammability Rating | UL 94V-2 |
|------------------------|----------|

### Packaging Features

|                    |      |
|--------------------|------|
| Packaging Quantity | 1500 |
|--------------------|------|

## Product Compliance

[For compliance documentation, visit the product page on TE.com>](#)

|   |   |
|---|---|
| EU RoHS Directive 2011/65/EU                  | Compliant   |
| EU ELV Directive 2000/53/EC                   | Compliant   |
| China RoHS 2 Directive MIIT Order No 32, 2016 | No Restricted Materials Above Threshold   |
| EU REACH Regulation (EC) No. 1907/2006        | Current ECHA Candidate List: JAN 2024 (240)<br>Candidate List Declared Against: JAN 2024 (240)<br>Does not contain REACH SVHC |
| Halogen Content                               | Low Halogen - Br, Cl, F, I < 900 ppm per homogenous material. Also BFR/CFR/PVC Free   |
| Solder Process Capability                     | Not applicable for solder process capability  |

#### Product Compliance Disclaimer

This information is provided based on reasonable inquiry of our suppliers and represents our current actual knowledge based on the information they provided. This information is subject to change. The part numbers that TE has identified as EU RoHS compliant have a maximum concentration of 0.1% by weight in homogenous materials for lead, hexavalent chromium, mercury, PBB, PBDE, DBP, BBP, DEHP, DIBP, and 0.01% for cadmium, or qualify for an exemption to these limits as defined in the Annexes of Directive 2011/65/EU (RoHS2). Finished electrical and electronic equipment products will be CE marked as required by Directive 2011/65/EU. Components may not be CE marked. Additionally, the part numbers that TE has identified as EU ELV compliant have a maximum concentration of 0.1% by weight in homogenous materials for lead, hexavalent chromium, and mercury, and 0.01% for cadmium, or qualify for an exemption to these limits as defined in the Annexes of Directive 2000/53/EC (ELV). Regarding the REACH Regulation, the information TE provides on SVHC in articles for this part number is based on the latest European Chemicals Agency (ECHA) 'Guidance on

requirements for substances in articles' posted at this URL: <https://echa.europa.eu/guidance-documents/guidance-on-reach>

## Compatible Parts



REPRESENTATION ONLY

TE Part # 47387-7  
DAHT PG PIDG 16-12 ASSY



TE Part # 926646-1  
PL 250 REC HSG 8P NYLON BLACK



TE Part # 154718-3  
PL 250 REC 0.7-2.0 MM2 0.406 TPBR



TE Part # 63812-1  
250 PL MKI REC. 18-14AWG TPBR



TE Part # 154717-3  
PL 250 REC TERMINAL 14-11 AWG TPBR



TE Part # 1-160759-1  
250 PL MKI REC. 20-15AWG TPBR



TE Part # 790319-3  
250 PL MKI REC. 12-10AWG TPBR



TE Part # 926522-2  
PL 250 REC HSG 2P NYLON NAT



TE Part # 344160-1  
R/ANGLE POS.LOK.BOOT



TE Part # 926646-8  
PL 250 8P HOUSING PA6.6 ZYTEL 101 WHITE



TE Part # 2-1377175-9  
SMP 0-0154719-1

TE Part # 2392022-2  
BLUE BATTERY DAHT KIT 220V (47387-7)

TE Part # 2392022-1  
BLUE BATTERY DAHT KIT 110V (47387-7)

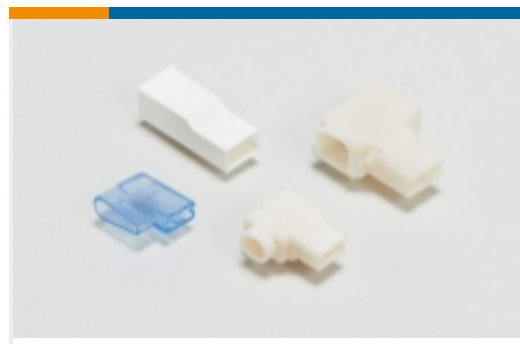
Also in the Series | [Mark I](#)



Automotive Housings(2)



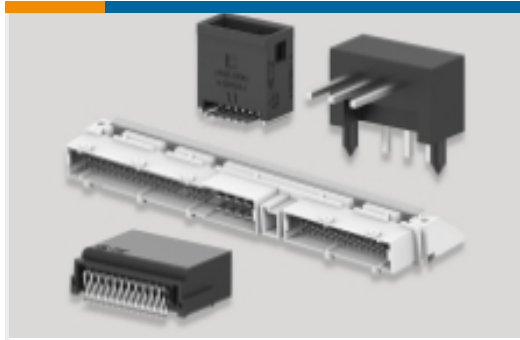
Automotive Terminals(3)



Crimp Terminal Housings(24)



Insertion & Extraction Tools(1)



PCB Headers & Receptacles(20)



Quick Disconnects(29)

## Also in the Series | Positive Lock 250



Automotive Terminals(1)



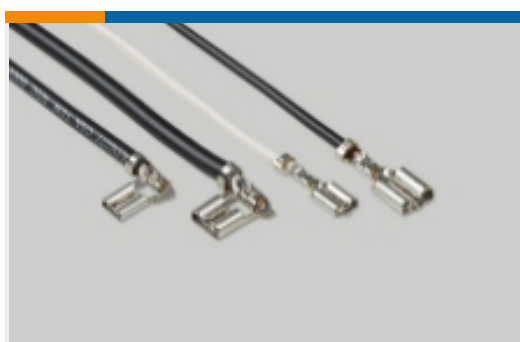
Crimp Terminal Housings(191)



Insertion & Extraction Tools(3)

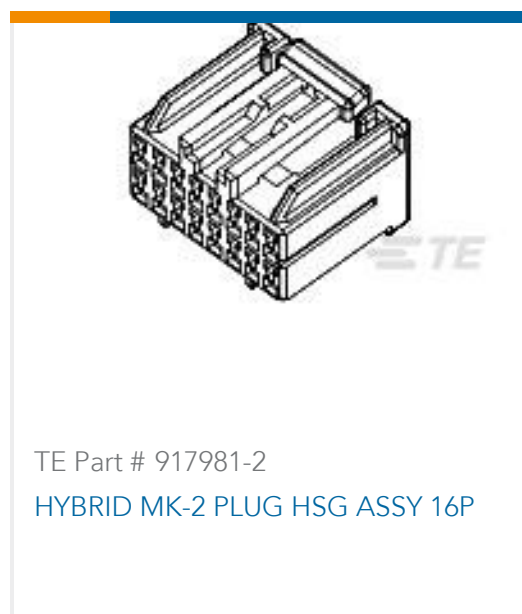


Insulation Boots & Sleeves(4)



Quick Disconnects(186)

## Customers Also Bought



TE Part # 917981-2  
HYBRID MK-2 PLUG HSG ASSY 16P



TE Part # 880645-6  
PL REC 1.0-2.5MM2 0.40 X 52.32 PTPBR



TE Part # 880646-5  
PL REC 0.5-1.0 MM2 0.40 X 52.32 PTPBR



TE Part # 880310-1  
2 WAY FF 250 HOUSING TAB NYLON 6.6 NAT



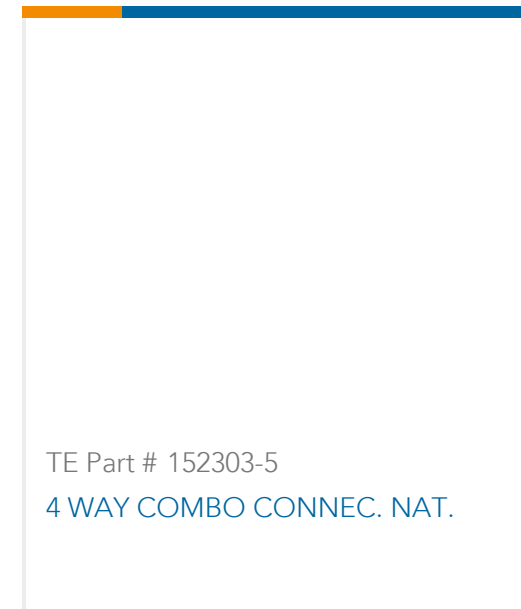
TE Part # 880645-1  
PL REC 1.0-2.5 MM2 0.40 X 52.32 BR



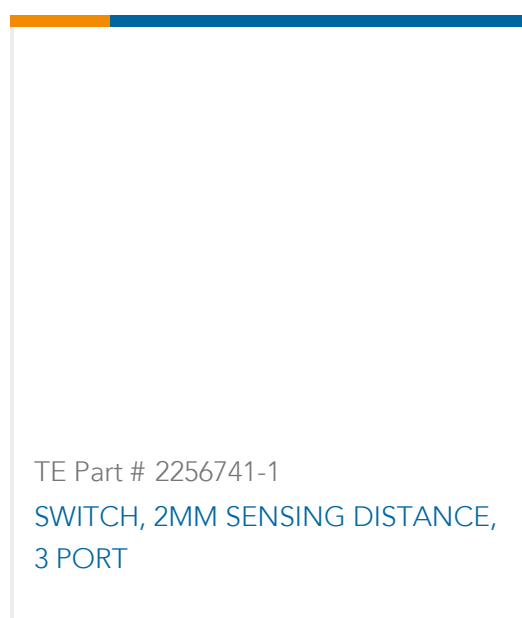
TE Part # 880646-1  
PL REC 0.5-1.0MM2 0.40 X 52.32 BR



TE Part # 1-2133341-1  
PL MK1 RECEPTACLE NATURAL 6.6 PA



TE Part # 152303-5  
4 WAY COMBO CONNec. NAT.



TE Part # 2256741-1  
SWITCH, 2MM SENSING DISTANCE, 3 PORT

## Documents

### Product Drawings

[250 HSG. PL MKI REC. NAT](#)

English

### CAD Files

[3D PDF](#)

3D

Customer View Model

[ENG\\_CVM\\_CVM\\_154719-1\\_AV.2d\\_dxf.zip](#)

English

Customer View Model

[ENG\\_CVM\\_CVM\\_154719-1\\_AV.3d\\_igs.zip](#)

English

Customer View Model

[ENG\\_CVM\\_CVM\\_154719-1\\_AV.3d\\_stp.zip](#)

English

By downloading the CAD file I accept and agree to the [Terms and Conditions](#) of use.

### Datasheets & Catalog Pages





**Positive Lock Receptacles**

English

---

**Product Specifications**

**Application Specification**

English

---

**Instruction Sheets**

**Instruction Sheet (U.S.)**

English

---

**Agency Approvals**

**UL Report**

English