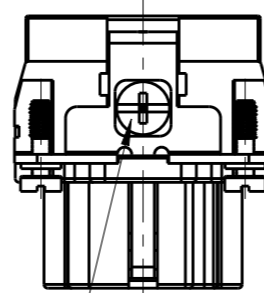
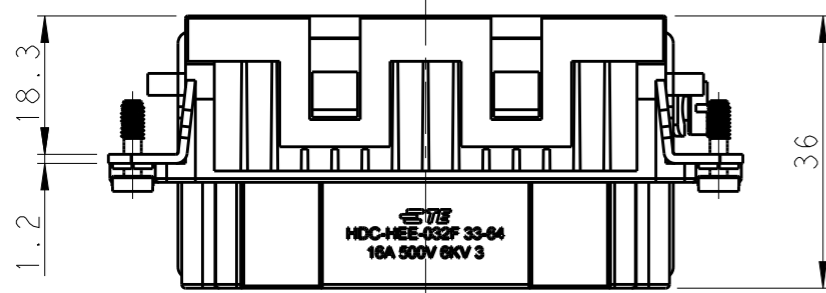
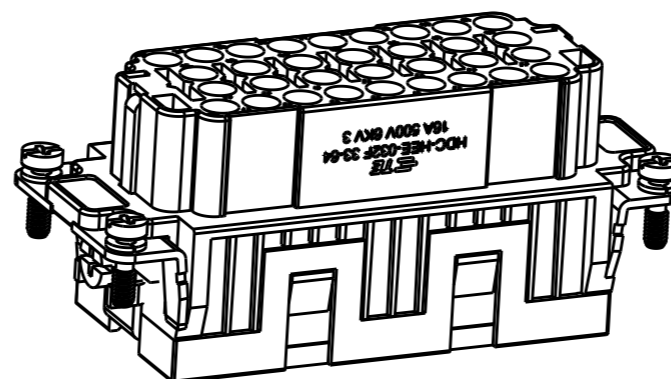
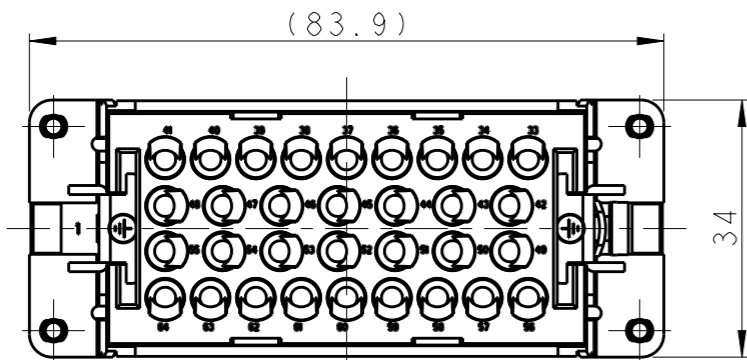


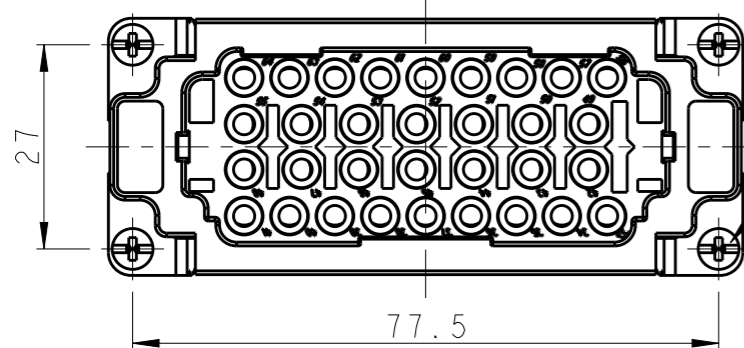
THIS DRAWING IS UNPUBLISHED. RELEASED FOR PUBLICATION 20
 © COPYRIGHT 20 BY - ALL RIGHTS RESERVED.

REVISIONS

P	LTR	DESCRIPTION	DATE	DWN	APVD
	A	INITIAL RELEASE	07SEP2017	YC	CW



M4 SCREW, RECOMMENDED
 TIGHTENING TORQUE 1.2N.m
 M4螺丝, 推荐锁紧力矩1.2N.m



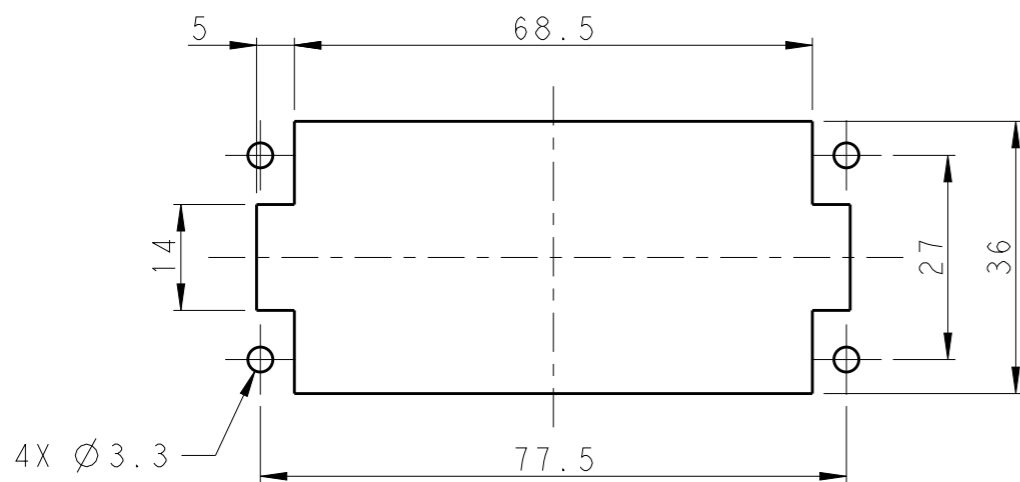
4X M3 SCREW, RECOMMENDED
 TIGHTENING TORQUE 0.5N.m
 4X M3螺丝, 推荐锁紧力矩0.5N.m

NOTES:

- TECHNICAL CHARACTERISTICS:
 INSULATION MATERIAL: PC
 RATED VOLTAGE: 500V
 RATED CURRENT: 16A
 INSULATION RESISTANCE: $\geq 400M\Omega$
 RATED IMPULSE VOLTAGE: 6KV
 POLLUTION DEGREE: 3
 FLAMMABILITY: UL94V-0
 MATING CYCLES: 500 CYCLES
 WIRE RANGE: 0.14-4 mm² (26-12 AWG)
 CONTACT TYPE: CRIMP CONTACT
- CONTACT NEED TO BE ORDERED SEPARATELY.
 (ORDER No. REFER TO DRAWING:T20300X20XX000)

注释:

- 技术参数:
 绝缘材料: PC
 额定电压: 500V
 额定电流: 16A
 绝缘电阻: $\geq 400M\Omega$
 额定脉冲电压: 6KV
 污染等级: 3
 阻燃等级: UL94V-0
 插拔次数: 500次
 接线范围: 0.14-4 mm² (26-12 AWG)
 接线类型: 冷压接
- 端子需要单独订购.
 (订货号参考图面: T20300X20XX000)



PANEL CUT FOR INSERTS FOR USING
 WITHOUT HOODS/ HOUSINGS
 不使用防护外壳时芯件的安装开孔图

T2050642201-007	HEE-032-F 33-64	HEE-032 FEMALE INSERT 33-64 HEE-032 母插 33-64
PART NUMBER 料号	PART DESCRIPTION 描述	

THIS DRAWING IS A CONTROLLED DOCUMENT.		DWN 07SEP2017 YORK CHEN	TE Connectivity	
		CHK 07SEP2017 GINO YAO		
		APVD 07SEP2017 CHRIS WANG		
		PRODUCT SPEC 108-106137		
DIMENSIONS: mm		TOLERANCES UNLESS OTHERWISE SPECIFIED:		NAME HEE-032-F 33-64
		0 PLC ±-	1 PLC ±-	SIZE
		2 PLC ±-	3 PLC ±-	CAGE CODE
		4 PLC ±-	ANGLES ±-	DRAWING NO
MATERIAL		FINISH	WEIGHT	RESTRICTED TO
-		-	-	A300779
-		-	-	©-T2050642201007
CUSTOMER DRAWING		SCALE 1:1	SHEET 1 OF 1	REV A