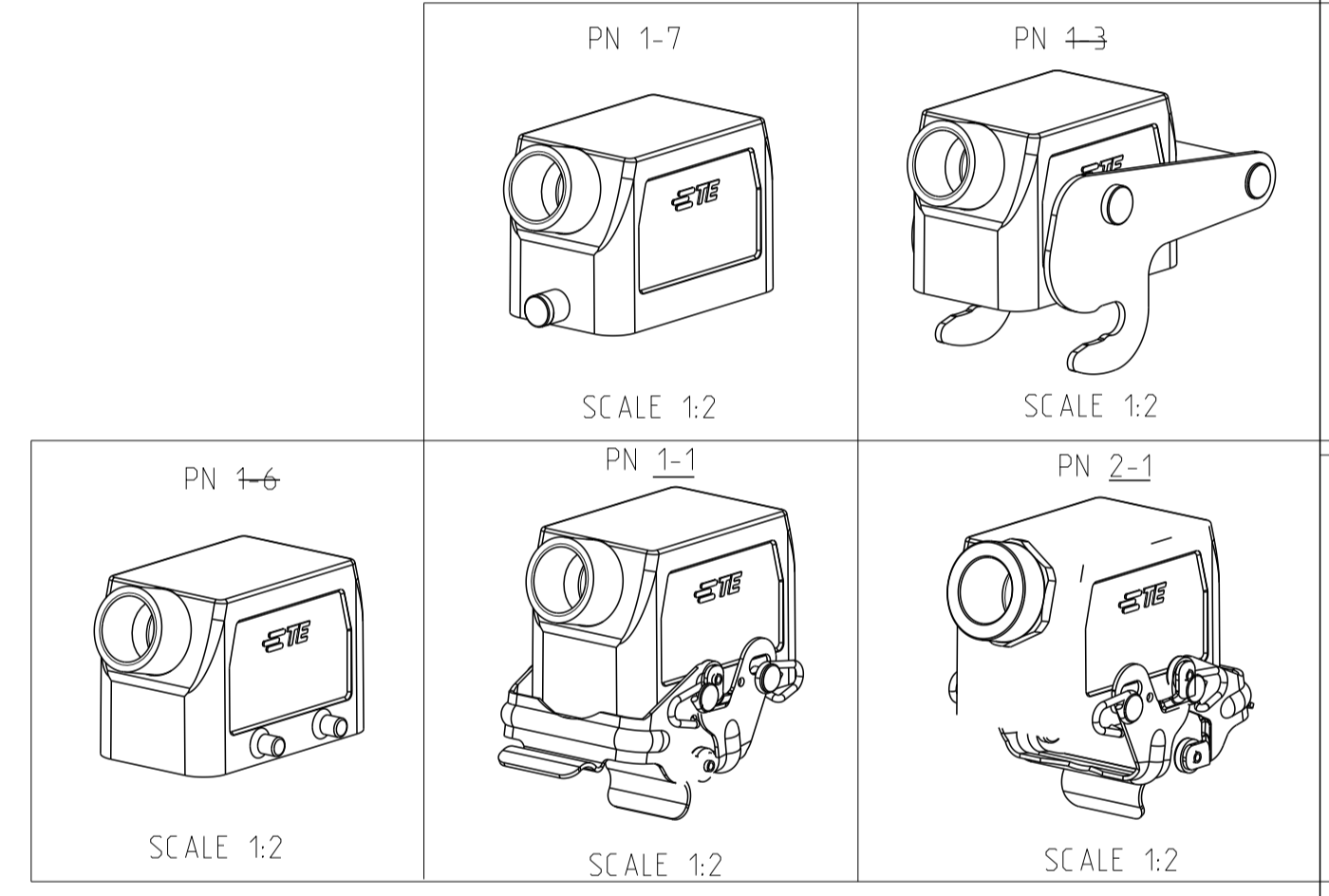


REVISIONS				
P	LTN	DESCRIPTION	DATE	APPV
A6	ECR-21-123293		2FEB2022	RK JB

- NOTES.
- Material:Housing:Aluminium Diecasting Alloy
  - Surface:Varnish grey
  - Varnish on the inside not necessary
  - Packaging  
Quantity 5 Pieces in a box
- ⚠** OBSOLETE PARTS: OBSOLETE CIS STREAMLINING PER D.RENAUD/D.SINISI



QTY	ITEM NO	DESCRIPTION	MATERIAL	SURFACE	COLOR	ITEM NO	NOTES
10	10	ZB-Central clip	Stainless steel	-			
9	9	LB-Clip bolt	Stainless steel	-			
8	8	LB-Clip bolt	Steel	Zinc plated	Blue		
7	7	VS-Side clip	Stainless steel	-			
6	6	VS-Side clip	Steel	Zinc plated	Blue		
5	5	VS-Clip bolt	Stainless steel	-			
4	4	6-K1-Adaptor PG16	Brass	Nickel plated			
3	3	Adaptor round PG16	Brass	Nickel plated			
2	2	Hood HB.10.Pg.1.16	Aluminium	Aluminium oxide	Blak		
1	1	Hood HB.10.Pg.1.16	Aluminium	-	Grey		

ORDERING TEXT

HB.10.STS.1.16.Z

HB-K.10.STS-1.16.Z

HB.10.STS-VS-1.16.Z

HB-K.10.STS-VS-1.16.Z

HB.10.STS-GR.1.16.Z

HB-K.10.STS-GR.1.16.Z

HB-Z.10.STS-ZB.1.16.Z

THIS DRAWING IS A CONTROLLED DOCUMENT.

DATE: 03.03.99  
 DWG: Schneider  
 CHK: Schneider  
 APPV: Schweiger

DIMENSIONS: mm

TOLERANCES UNLESS OTHERWISE SPECIFIED:

0	PLC	±
1	PLC	±
2	PLC	±
3	PLC	±
4	PLC	±

ANGLES: ±

FINISH: -

MATERIAL: -

NAME: Hood HB.10.Sts.1.16.Z

PRODUCT SPEC: -

APPLICATION SPEC: -

SIZE: A | 00779 | C=1102260

WEIGHT: -

CUSTOMER DRAWING

SCALE: 1:1 SHEET 1 OF 1 REV: A6